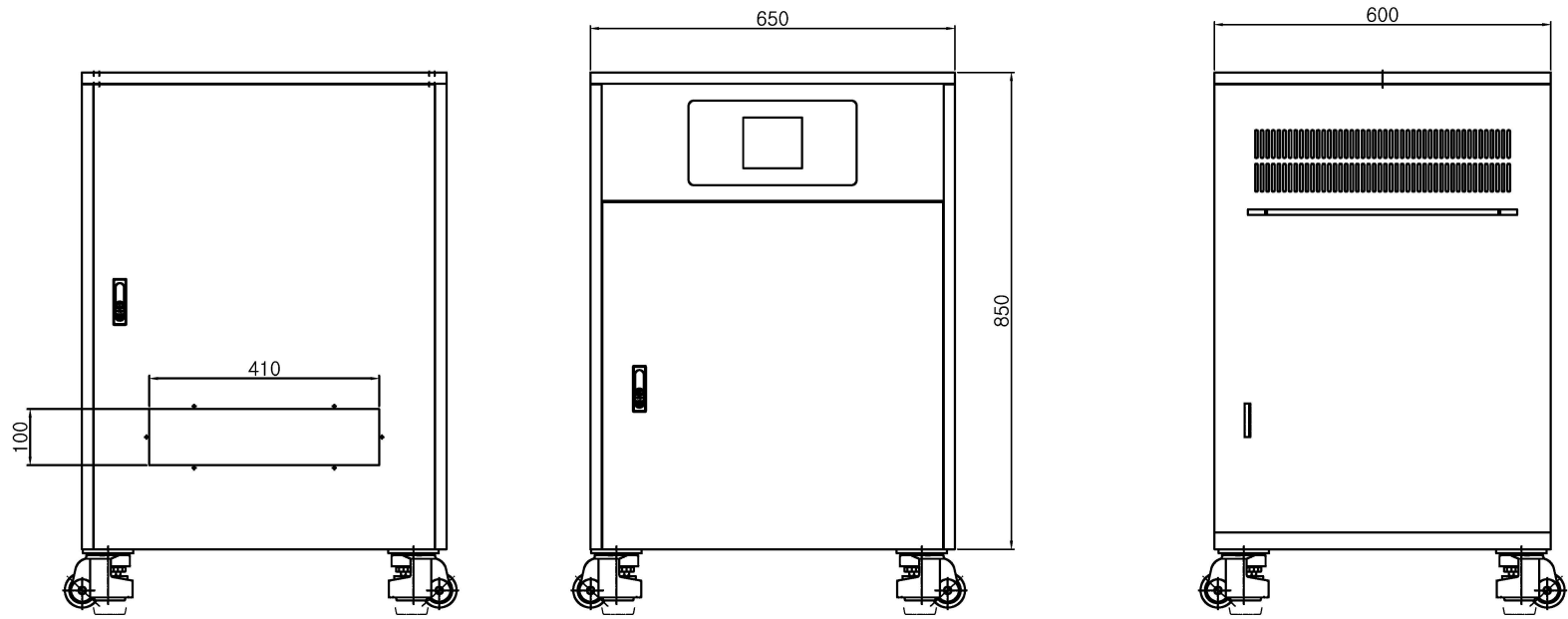


REV	1
-----	---

UNIT	mm
------	----



DESIGN	CHECK	CHECK	APPROVE				TITLE	ZHF-CASE 외형도 (WYZHF-300/350C)	SIZE	A3	SCALE	N/S	DATE	2023.7.13
REF DRAWING				0	최초작성 및 배포	-	23.7.13		DRAWING NUMBER	7MET-00755				
				REV	DESCRIPTION	DS'N	DATE							