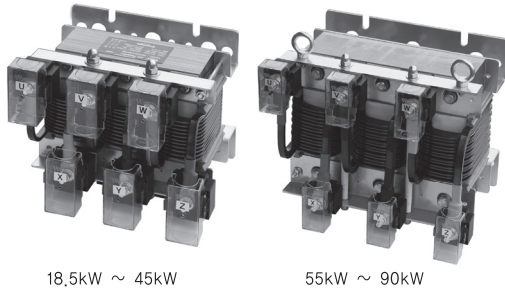


# SMART REACTOR

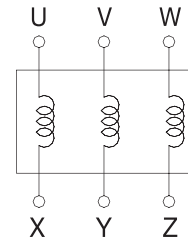
## AC INPUT REACTOR 인버터 전단용 (Wall Mounting Type ACR)



18.5kW ~ 45kW

55kW ~ 90kW

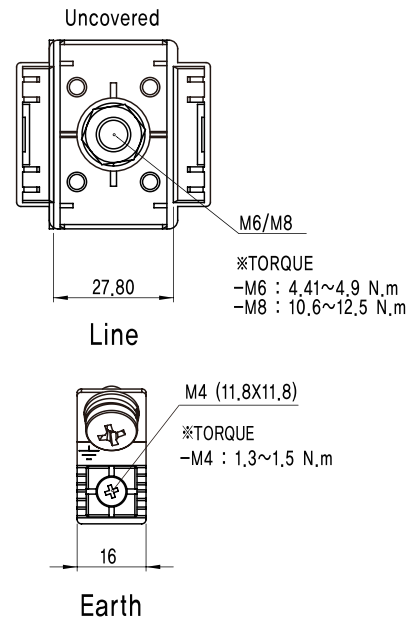
### ● Circuit Diagram



### ● Specifications

Phase	3 Φ	
Frequency	50/60 Hz	
Insulation Class	H	
Cooling	Natural cooling AN	
Limited temp, rinsing	120 k	
Overload capability	1.6x rated current for 1 minute, once per hour	
Pollution degree	PD3	
Protection category	IP00	
Operating Temp. & Hum.	-20 ~ 40°C & 0~80% (Non-Condensing)	
Storage Temp. & Hum.	-20 ~ 50°C & 0~80% (Non-Condensing)	
Dielectric withstand voltage	Between each terminal & body (3.0kVAC for 1min.)	
Insulation Resistance	Min. 100MΩ, at 500VDC Megger	
Related Standard	IEC 61558-1	Safety of power transformers, power supplies, reactors and similar products - Part 1 : General Requirements and tests
	IEC 61558-2-20	Safety of transformers, reactors, power supplies units and combination thereof - Part 2-20 : Particular requirements and tests for small reactors

### ● Terminal



### ● Wall Mounting Type

220V (Impedance Voltage : 4% 220VAC, 60Hz)

MODEL	용량(kW)	정격전류 (A)	인덕턴스 (mH)	Dimensions(mm)								Weight (kg)
				W	H	D	W1	D1	Φ1	M	E	
WYACR2-18.5W	18.5	100	0.135	219	169	197	100	184	9x15	M8	M4	11
WYACR2-22W	22	116	0.116	219	169	197	100	184	9x15	M8	M4	12
WYACR2-30W	30	134	0.101	258	184	192	100	184	9x15	M8	M4	17
WYACR2-37W	37	164	0.082	258	184	207	100	184	9x15	M8	M4	18
WYACR2-45W	45	200	0.067	258	184	207	100	184	9x15	M8	M4	19

380V~440V (Impedance Voltage : 4% 400VAC, 60Hz)

MODEL	용량(kW)	정격전류 (A)	인덕턴스 (mH)	Dimensions(mm)								Weight (kg)
				W	H	D	W1	D1	Φ1	M	E	
WYACR4-18.5W	18.5	50	0.490	219	169	207	100	194	9x15	M6	M4	11
WYACR4-22W	22	58	0.422	219	169	207	100	194	9x15	M6	M4	12
WYACR4-30W	30	67	0.366	258	184	197	100	184	9x15	M6	M4	17
WYACR4-37W	37	82	0.299	258	184	217	100	184	9x15	M6	M4	18
WYACR4-45W	45	100	0.245	258	184	217	100	184	9x15	M8	M4	19
WYACR4-55W	55	121	0.203	299	222	235	150	200	11x20	M8	M4	28
WYACR4-75W	75	167	0.147	299	222	256	150	221	11x20	M8	M4	29
WYACR4-90W	90	201	0.122	299	222	256	150	221	11x20	M8	M4	30

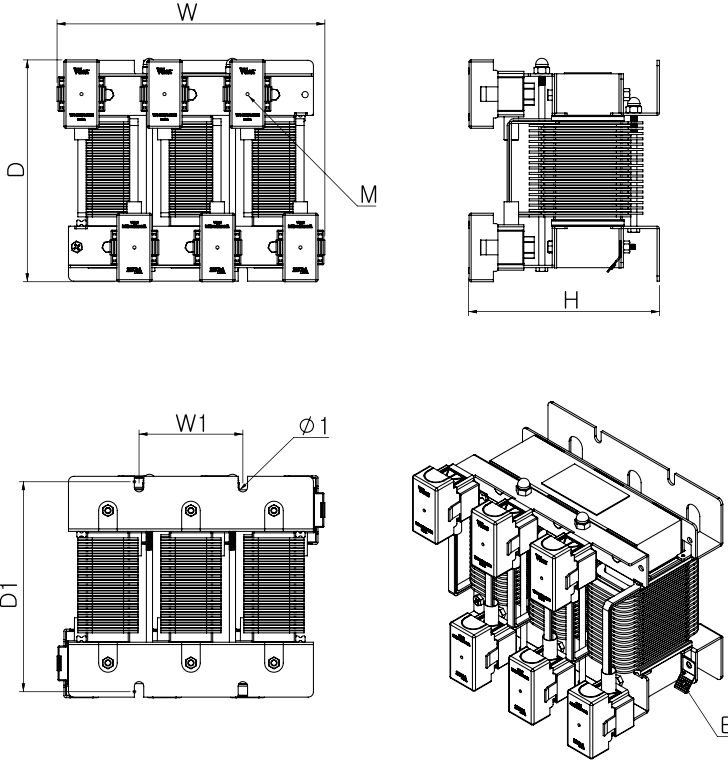
# SMART REACTOR

AC INPUT REACTOR 인버터 전단용 (Wall Mounting Type ACR)

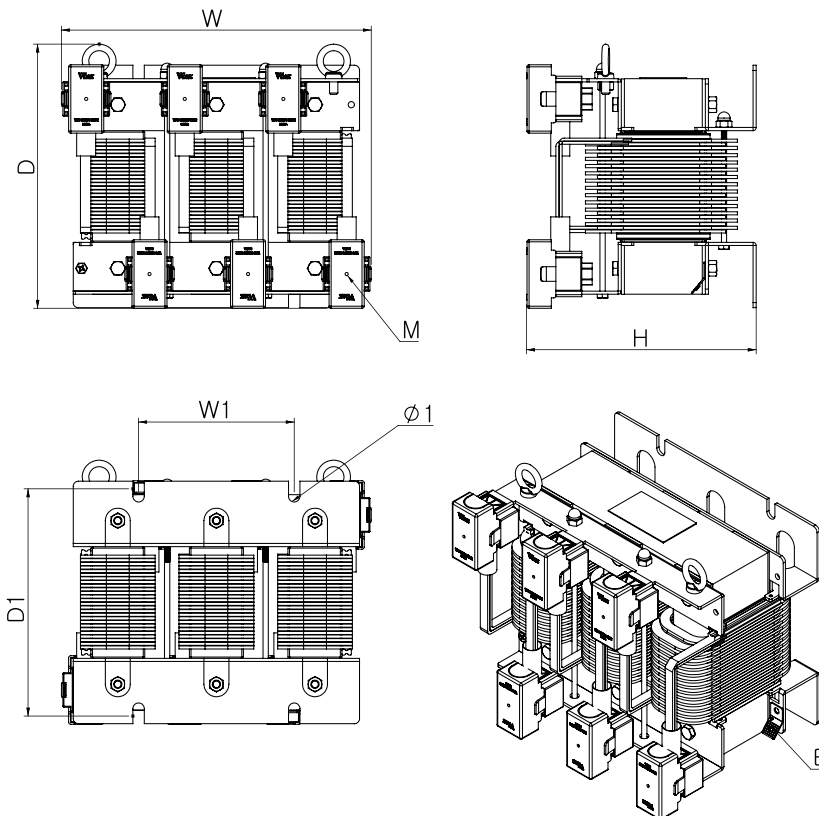
CE RoHS

● Dimension

Wall Mounting Type 18.5~45kW



Wall Mounting Type 55~90kW (I-bolt M8)



노아  
NCT  
노아  
NCT

리액터  
REACTOR

트랜스포머  
TRANS.

공용형필터  
AHF

수용형필터  
PHF

마이크로서지필터  
MSF

사인웨이브필터  
SWF

영상고조파필터  
ZHF