

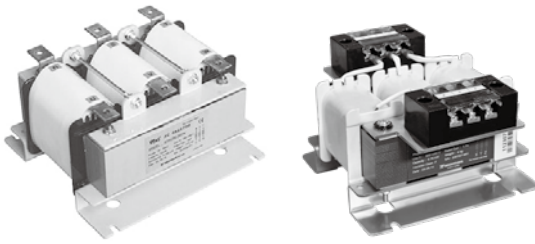
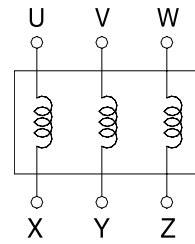
REACTOR

소음저감용 Output Reactor (AC 인버터 후단용 -출력용)

● Specifications

- Rating : 3 ϕ 380/440V / 50/60 Hz
- Dielectric withstand : AC 3000V / 1min
- Insulation resistance : DC 500V / 100M Ω
- IP Class : IP20
- Sound level : Less than 65db
- Operating temp. : -20 $^{\circ}$ C ~ +40 $^{\circ}$ C

● Circuit Diagram

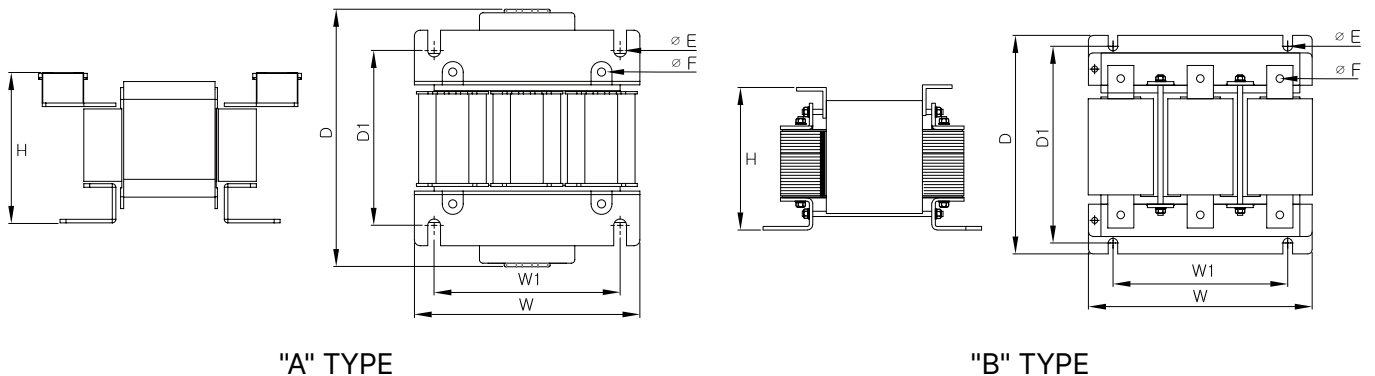


● 380V/440V (Impedance Voltage : 3Vac)

MODEL	용량(kW)	정격전류 (A)	인덕턴스 (mH)	Dimensions(mm)							Type	Weight (kg)
				W	D	H	W1	D1	ϕ E	ϕ F		
WYACL4-0.75	0.75	1.7	4.683	140	174	92	100	131	6	M4	A	3.2
WYACL4-1.5	1.5	3.4	2.342	160	188	99	111	129	9	M4	A	3.6
WYACL4-2.2	2.2	7.5	1.062	194	221	102	160	167	11	M4	A	5.1
WYACL4-3.7	3.7	10	0.796	194	221	102	160	167	11	M4	A	5.8
WYACL4-5.5	5.5	15	0.531	194	224	131	160	170	11	M4	A	9.2
WYACL4-7.5	7.5	20	0.398	194	224	131	160	170	11	M4	A	10.5
WYACL4-11	11	30	0.265	232	219	146	200	201	11	7	B	12
WYACL4-15	15	38	0.210	232	219	146	200	201	11	7	B	13
WYACL4-18.5	18.5	50	0.159	256	249	165	200	235	11	9	B	18
WYACL4-22	22	58	0.137	256	249	165	200	235	11	9	B	20
WYACL4-30	30	67	0.119	256	249	165	200	235	11	9	B	22
WYACL4-37	37	82	0.097	300	249	206	240	234	11	9	B	27
WYACL4-45	45	100	0.080	300	249	206	240	234	11	9	B	31
WYACL4-55	55	121	0.066	335	262	202	260	247	11	9	B	36
WYACL4-75	75	167	0.048	335	262	202	260	247	11	9	B	40
WYACL4-90	90	201	0.040	335	262	202	260	247	11	9	B	48
WYACL4-110	110	245	0.032	335	262	258	260	247	11	11	B	50
WYACL4-132	132	290	0.027	365	297	223	300	272	13	11	B	50
WYACL4-160	160	357	0.022	365	297	224	300	272	13	11	B	50
WYACL4-185	185	420	0.019	480	331	282	400	304	13	13	B	55
WYACL4-220	220	500	0.016	470	332	271	400	305	13	13	B	68
WYACL4-250	250	560	0.014	450	326	297	400	301	13	13	B	68
WYACL4-280	280	630	0.013	470	337	290	400	310	13	13	B	72
WYACL4-315	315	710	0.011	470	351	270	400	324	13	13	B	80
WYACL4-350	350	800	0.010	420	298	279	350	274	13	13	B	90
WYACL4-375	375	840	0.009	420	298	279	350	274	13	13	B	95

※220V용(WYACR2-□□)은 Size 및 형태가 변경될 수 있습니다. (May change size about 220V Type)

● Dimension



"A" TYPE

"B" TYPE

TRANS=NCCT 트랜스포머
 REACTOR 리액터
 SSR 무정전압블레이
 TPR 전력조정기
 SPS 스위칭파워
 N/F 노이즈필터
 H/F 하모닉필터
 SPD 서지보호기
 RELAY 보호계전기
 ELD=GF R 누전경보기
 ZCT 영상변류기
 METER 판넬메타
 CT=VT 계기용변성기
 SHUNT=FA N 션트팬