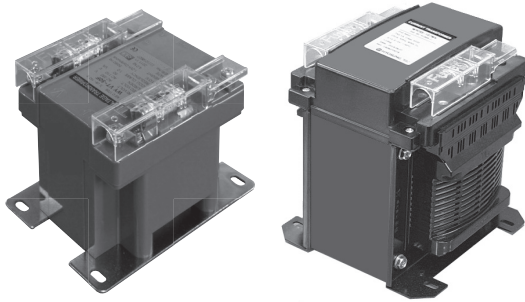


VOLTAGE TRANSFORMER (VT)

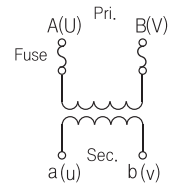
0.72~1.15kV (50~500VA)



Specifications

- Maximum voltage : 0,72~1,15kV
- Frequency : 60Hz (standard) 50/60Hz
(by specified) classification
- Over voltage factor : 1,2Vn (KS C IEC 61869-3)
- Fuse : AC500V (MAX) 10,3×38mm

Connection Diagram

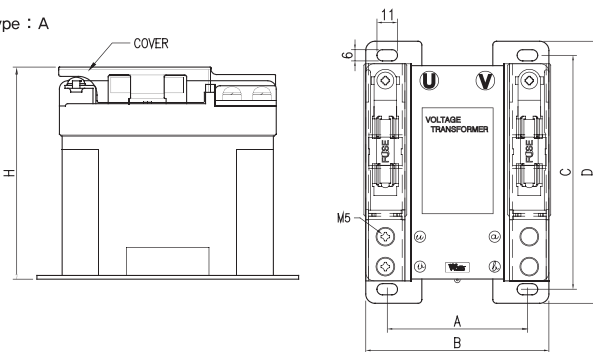


MODEL	Rated Voltage(V)		Class (%)	Rated Burden (VA)	Fuze (A)	Weight (kg)
	1'st	2'nd				
WYVT-50F	110 ~ 600	110 or 220	1,0	50	2A	≒2,5
WYVT-100F				100		≒4,0
WYVT-200F				200		≒5,0
WYVT-300F				300		≒7,1
WYVT-500F				500		≒10,0

※ Type "F" : Fuse in type

Illustration & Drawing

Type : A

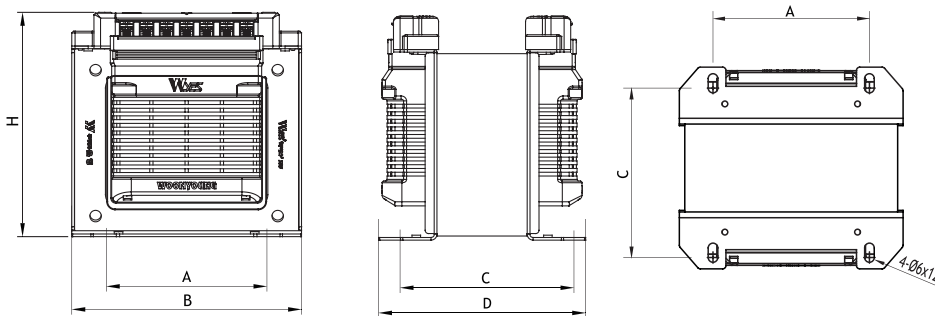


Dimension

unit : (mm)

MODEL	A	B	C	D	H	Type
WYVT-50F	75	98	125	140	110	A
WYVT-100F	85	108	125	140	110	
WYVT-200F	95	113	125	140	123	
WYVT-300F	98	140	106	126,5	136,5	B
WYVT-500F	114	160	134	156	180	C

Type : B



Type : C

