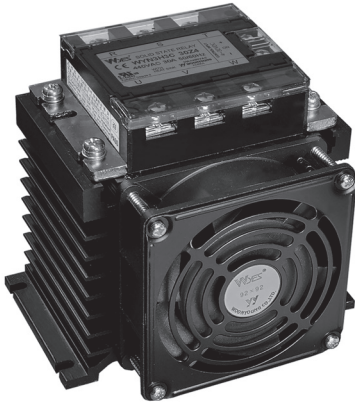


SOLID STATE RELAY(SSR)

3Ø WYFN3H AC440V 30A~80A (DC/AC, AC/AC Type)



Metal Bonding Process

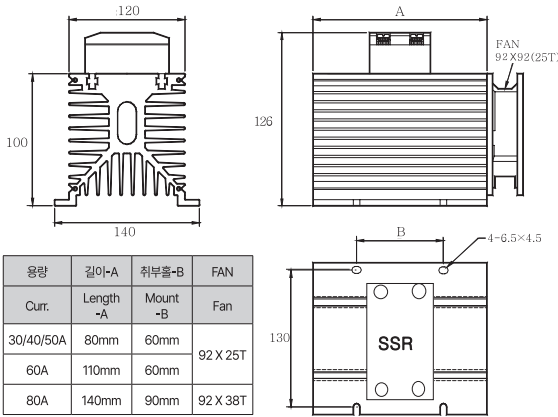


FAN 부착 일체형 (SSR)

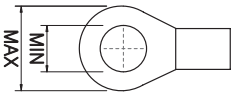
삼상 일체형으로 AC90~240V, 50~80A의 대용량 제품으로 방열판 및 FAN을 부착한 일체형으로 자체 방열 구조를 설계하여 편리하게 사용할 수 있도록 일체화시킨 SSR입니다.

This single-phase integral SSR with self heat sink is a product with large capacity of AC90~240V, 50~80A. The SSR has designed self heat sink system to ensure convenient use.

Dimension

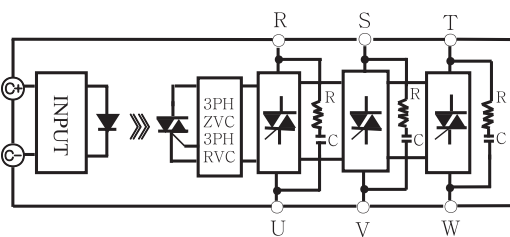


Terminal



Input Ter : Max 6.2, Min 3
Output Ter : Max 12, Min 4

Block Diagram



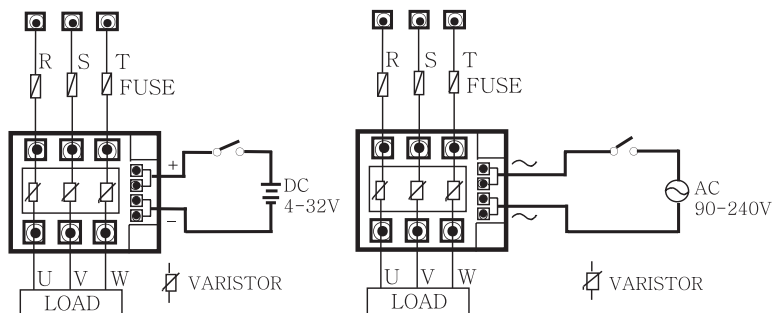
* 3PH ZVC : 3PH ZERO CROSS VOLTAGE CIRCUIT
* 3PH RVC : 3PH RANDOM CROSS VOLTAGE CIRCUIT

Specifications

ITEM	MODEL	
	*WYFN3H3C30/40/50/60/80Z4 WYFN3H3C30/40/50/60/80R4	WYFN3H3C30/40/50/60/80Z40 WYFN3H3C30/40/50/60/80R40
O U T P U T	Rated voltage	440VAC
	Voltage range	90 ~ 480VAC
	Non repetitive peak voltage	1200V
	Rated load current	30A 40A 50A 60A 80A
	Frequency	50 / 60Hz
	Peak surge current	250A 300A 350A 1300A 1750A
	leakage current	10mA
	Contact voltage drop	2.25V 2.15V 2.0V 1.95V 1.8V
	Minimum operating current	1.0A
	I N P U T	Maximum input voltage
Input voltage range		4 ~ 32VDC 90 ~ 240VAC
Input current		10±3(mA) AC240V / 16mA
Minimum operating voltage		3.0VDC 80VAC
Turn off voltage		1.4VDC 20VAC
G E N E R A L	Dielectric withstand	2000VAC / 1Min
	Insulation resistance	DC 500V / 100MΩ
	Response time	R4 : 1±1ms Z4 : 8.3±1ms R40, Z40 : 30±1ms
	Circuit control	Z40, Z4 : Zero cross type R40, R4 : Random cross type
	Operating temperature	-10 ~ +60°C
	Storage temperature	-20 ~ +80°C
Weight	2.8kg	

* WYFNH3C30Z4, WYFNH3C40Z4 UL Certification is only SSR
* Z4 : 4~32VDC Z40 : 90~240VAC

Application Circuit



TRANS=RECT 리액터
 REACTOR
 무접점전자릴레이
 SSSR
 전력조정기
 TPR
 스위칭파워
 SMPSP
 노이즈필터
 N/F
 하모닉필터
 H/F
 서지보호기
 SPD
 보호계전기
 RELAY
 누전경보기
 ELD=GF
 R
 영상변류기
 ZCT
 판넬메타
 METER
 계기용변성기
 CT=VT
 S
 셉트팬
 SHUNT=FAN