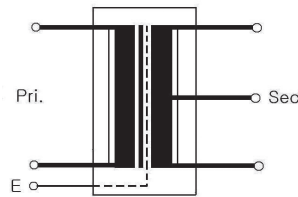


단상 복권형으로 입력은 AC220, 380/440V 이며 출력은 AC115~230V 까지 Filed용으로 제작 하였으며 AC 입력전압 인가시 전원표시 LED가 발광되어 소비자의 안전성을 고려한 제품입니다.

Input voltage of single phase is AC220, 380/440V and output is AC 115~230V. It has been produced to meet user demand with manufacture of power lamp type.

• Circuit Diagram



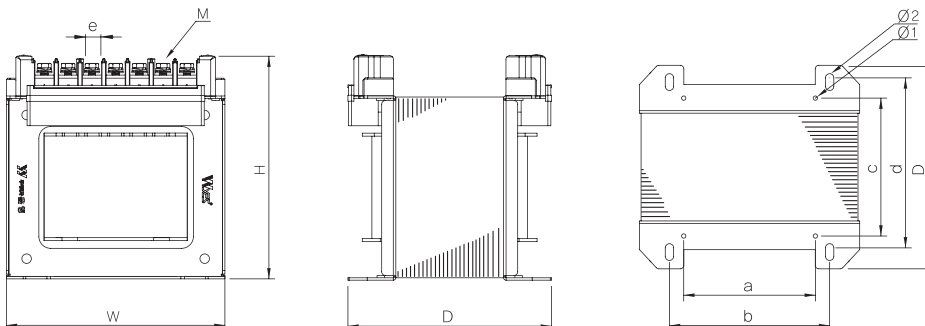
● Specifications

MODEL NO.	TYPE	SPECIFICATIONS		VA	DIMENSIONS (mm)											WEIGHT (kg)
		PRI.(V)	SEC.(V)		W	H	D	a	b	c	d	e	(a.c)Ø1	Ø2	M	
• 220V Line → 115V ~ 230V																
WY22-300FC	WT	0-210-220-230-(E)	0-150-170-190-210-230	300	121	122	114	66	84	73	95	10	Ø3,6	5 X10	M4	4,97
WY22-500FC				500	140	140	126	82	98	79,5	105	10	Ø3,6	6 X12	M4	7,10
WY22-750FC				750	160	162	146	96	114	90,5	125	10	Ø3,6	6 X13	M4	10,70
WY22-1KFC				1K	160	162	156	96	114	102	134	16	Ø3,6	6 X13	M4	12,30
WY22-1,5KFC				1,5K	184	188,5	150	110	133,8	95,2	122	16	Ø4,3	7 X14	M6	16,50
WY22-2KFC				2K	184	188,5	170	110	133,8	115,2	137	16	Ø4,3	7 X19	M6	20,10
• 380V Line → 115V ~ 230V																
WY42-300FC	WT	0-380-420-440-(E)	0-150-170-190-210-230	300	121	122	114	66	84	73	95	10	Ø3,6	5 X10	M4	4,97
WY42-500FC				500	140	140	126	82	98	79,5	105	10	Ø3,6	6 X12	M4	7,10
WY42-750FC				750	160	162	146	96	114	90,5	125	10	Ø3,6	6 X13	M4	10,70
WY42-1KFC				1K	160	162	156	96	114	102	134	16	Ø3,6	6 X13	M4	12,30
WY42-1,5KFC				1,5K	184	188,5	150	110	133,8	95,2	122	16	Ø4,3	7 X14	M6	16,50
WY42-2KFC				2K	184	188,5	170	110	133,8	115,2	137	16	Ø4,3	7 X19	M6	20,10

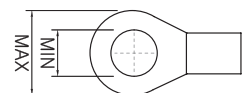
※ 정격용량 : 최대전압(TAP)에서의 용량임.
 ※ Rated capacity : Capacity at the maximum voltage(TAP).

● Dimension

• WT Type



● Terminal



300VA~1kVA : Max 9, Min 4
 1.5~2kVA : Max 15, Min 6