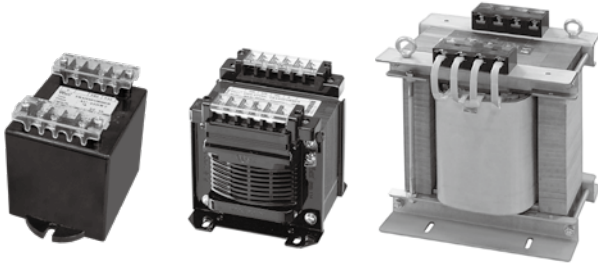


TRANSFORMER

WYAU-D Series (단권)

RoHS

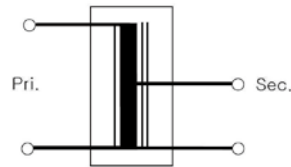


단상단권형으로 입력과 출력 전압이 한권선으로 전압탭을 인출하여 크기가 작고 가격이 저렴한 반면 사용이 제한되어 Lamp, Heater, Motor, Fan부하 등 단순 부하에 사용되나 콘트를 제어 위치제어 PLC, 각종 Noise에 영향을 받는 제품 사용시에는 오동작 우려가 있으니 신중하게 고려 하시기 바랍니다.

It is single phase and auto transformer that the primary and secondary windings are connected. So the size is small and the price is cheap but it is used simple load as Lamp, Heater, Motor and Fan.

Please consider carefully because it may malfunction when use to noise sensitive appliance to various controllers, position controller, PLC Etc.

• Circuit Diagram



● Specifications

•10VA~3KVA Insulation Class B
•5KVA~50KVA Insulation Class H

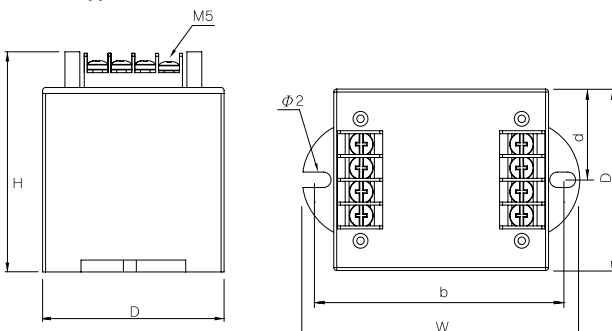
| MODEL NO. | TYPE | SPECIFICATIONS | | VA | DIMENSIONS (mm) | | | | | | | | | | | WEIGHT (kg) |
|------------|------|----------------------------------------|---------|------|-----------------|-----|-----|-----|-----|-------|-----|----|---------|-----------|------|-------------|
| | | PRI.(V) | SEC.(V) | | W | H | D | a | b | c | d | e | (a.c)Ø1 | Ø2 | M | |
| WYAU-10DT | WMT | 0-100-110-200-220-240 (0V : COMMON) | | 10 | 72 | 60 | 36 | - | 60 | - | 18 | - | Ø4.5 | 4.5 x 8 | - | 0.75 |
| WYAU-50DT | | 50 | 94 | 77 | 61 | 72 | 80 | 37 | - | - | - | - | 5 x 7.5 | M3 | 0.78 | |
| WYAU-75D | WT | 0-100-110-200-220-240 (0V : COMMON) | | 75 | 79 | 89 | 83 | 42 | 57 | 48.5 | 63 | 7 | Ø3.6 | 5 x 12 | M3.5 | 1.31 |
| WYAU-100D | | | | 100 | 79 | 89 | 88 | 42 | 57 | 53.5 | 68 | 7 | Ø3.6 | 5 x 12 | M3.5 | 1.65 |
| WYAU-150D | | | | 150 | 89 | 98 | 105 | 46 | 65 | 62 | 83 | 7 | Ø3.6 | 5 x 12 | M3.5 | 2.30 |
| WYAU-200D | | | | 200 | 98 | 106 | 105 | 54 | 72 | 61 | 88 | 7 | Ø3.6 | 6 x 12 | M3.5 | 2.59 |
| WYAU-300D | | | | 300 | 98 | 106 | 113 | 54 | 72 | 68 | 94 | 7 | Ø3.6 | 5 x 10 | M3.5 | 3.23 |
| WYAU-500D | | | | 500 | 112 | 122 | 114 | 66 | 84 | 73 | 95 | 10 | Ø3.6 | 5 x 10 | M4 | 4.97 |
| WYAU-1KD | | | | 1K | 140 | 140 | 126 | 82 | 98 | 79.5 | 105 | 10 | Ø4.3 | 6 x 12 | M4 | 7.10 |
| WYAU-1.5KD | | | | 1.5K | 160 | 162 | 146 | 96 | 114 | 92.5 | 125 | 10 | Ø3.6 | 6 x 13 | M4 | 10.70 |
| WYAU-2KD | | | | 2K | 160 | 160 | 157 | 96 | 114 | 100.5 | 135 | 10 | - | 6 x 13 | M4 | 12.30 |
| WYAU-3KD | | | | 3K | 185 | 188 | 151 | 110 | 134 | 95 | 123 | 16 | - | 7 x 14 | M6 | 16.50 |
| WYAU-5KD | WT | 0-100-110-200-220-240 (0V : COMMON) | | 5K | 219 | 220 | 170 | - | 120 | - | 135 | 16 | - | 10 x 30 | M6 | 26.70 |
| WYAU-7.5KD | | | | 7.5K | 245 | 240 | 188 | - | 180 | - | 158 | 16 | - | 10 x 30 | M6 | 33.50 |
| WYAU-10KD | | | | 10K | 245 | 240 | 192 | - | 180 | - | 165 | 16 | - | 10 x 30 | M6 | 40.20 |
| WYAU-15KD | | | | 15K | 270 | 272 | 236 | 110 | 180 | 110 | 175 | 16 | - | 10 x 35 | M6 | 52.00 |
| WYAU-20KD | | | | 20K | 310 | 305 | 250 | - | 220 | - | 160 | 16 | - | 10 x 30 | M6 | 68.00 |
| WYAU-30KD | | | | 30K | 310 | 305 | 280 | - | 220 | - | 180 | 16 | - | 10 x 35 | M6 | 91.90 |
| WYAU-40KD | WT | 0-110-200-220-240 | | 40K | 360 | 385 | 360 | - | 270 | - | 200 | 16 | - | 13.5 x 35 | M8 | 102.00 |
| WYAU-50KD | | | | 50K | 380 | 450 | 440 | - | 200 | - | 230 | 16 | - | 13.5 x 35 | M8 | 112.30 |

※ 5kVA까지 LED 부착

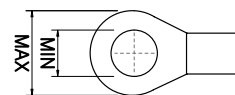
※ 3KVA 이상 "1" Bolt 부착 (Attach an "1" bolt for 3KVA or larger)

● Dimension

• WMT Type



● Terminal



75~300VA : Max 6, Min 3.5
500VA~2kVA : Max 9, Min 4
3~30kVA : Max 15, Min 6
40~50kVA : Max 19, Min 8

• WT Type

