

# NOISE FILTER

1Ø DC 60V ~ 125V 보급형 General Type

DC  
NOISE  
FILTER



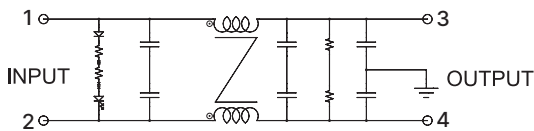
### ● Features

- 2 Mounting Option
  - WYF\*\*\*\*D : Din Rail Mounting
  - WYF\*\*\*\* : Screw Mounting
- Wide Band : High Attenuation
- Band Width : 150KHz ~ 30MHz
- Low Leakage
- RoHS Compliant

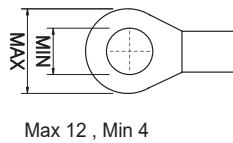
### ● Specifications

ITEM	MODEL	SYMBOL	WYFDH06T1A(D)	WYFDH10T1A(D)	WYFDH15T1A(D)	WYFDH20T1A(D)	WYFDH30T1A(D)
Rated Voltage	V		60VDC ~ 125VDC				
Rated Current	A		6	10	15	20	30
Dielectric Withstand	V		1500VAC or 2250VDC for 1 minute(Line-Case)				
Insulation Resistance	MΩ		DC 100MΩ at the 500Vdc				
Leakage Current	mA		≤0.8mA at the 250Vac				
Operating Temperature	°C		-25°C ~ +100°C [Refer to Derating Curve TYPE-1]				
Operating Humidity	RH		35 ~ 85%RH				
Weight	kg		0.3				

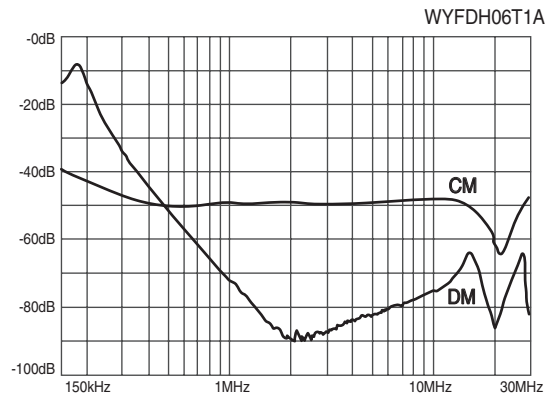
### ● Circuit Diagram



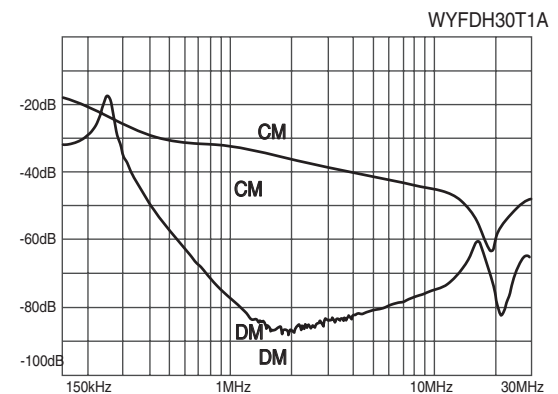
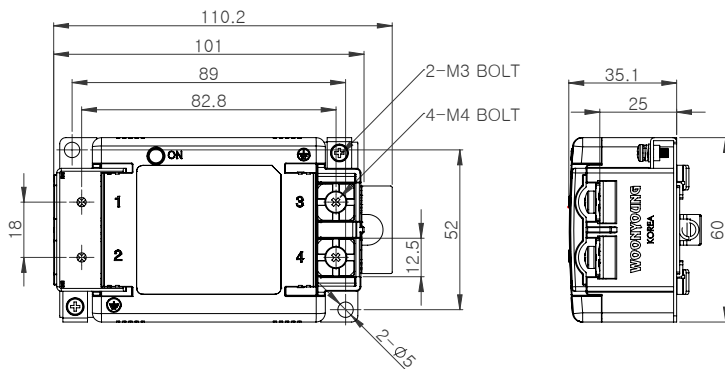
### ● Terminal



### ● Characteristics



### ● Dimension



트랜스포머  
REACTOR  
리액터  
무정전압블레이  
SSR  
전력조정기  
TPR  
스위칭파워  
SMP  
노이즈 필터  
N/F  
하모닉 필터  
H/F  
서지보호기  
SPD  
보호계전기  
RELAY  
누전경보기  
ELD=GF  
영상변류기  
ZCT  
패널메타  
METER  
계기용변성기  
CT=VT  
선트랜  
SHUNT=FA