

# TRANSFORMER (경제형)

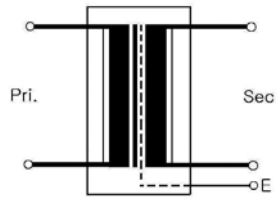
4422-AW Series WT Type



단상 복권형으로 입력 AC 440V 출력 AC 220V로, 전압 인가시 LED가 동작하여 전원의 통전상태 유,무가 표시되며 전기중 CE인증을 받은 제품으로 신뢰성과 안전성이 확보된 제품으로 경쟁력을 위하여 단일 탭(tap)으로 구성되어있는 경제형 트랜스포머입니다.

This is of a 1P isolation transformer with AC 440V input and AC 220V output, has an LED working when voltage is applied to display whether power is energized or not, was CE-certified for all models, has secured reliability and safety, and is composed of a single tap for competitiveness to be an general transformer.

•Circuit Diagram



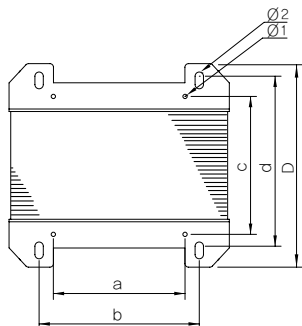
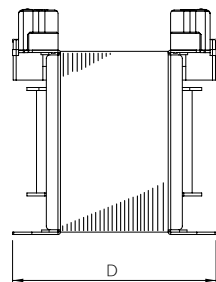
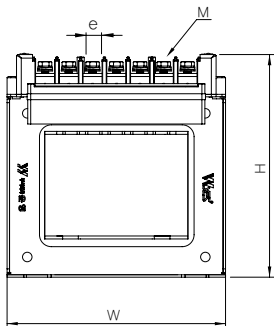
● Specifications

Insulation Class B

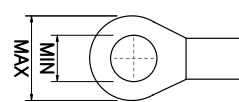
MODEL NO.	TYPE	SPECIFICATIONS		VA	DIMENSIONS (mm)											WEIGHT (kg)
		PRI.(V)	SEC.(V)		W	H	D	a	b	c	d	e	(a.c)Ø1	Ø2	M	
WY4422-40AW	WT	0-440	0-220-(E)	40	79	89	83	42	57	48.5	63	7	Ø3.6	5 x 12	M3.5	1.31
WY4422-60AW				60	79	89	88	42	57	53.5	68	7	Ø3.6	5 x 12	M3.5	1.65
WY4422-80AW				80	89	98	105	46	65	62	83	7	Ø3.6	5 x 12	M3.5	2.30
WY4422-100AW				100	98	106	105	54	72	61	88	7	Ø3.6	6 x 12	M3.5	2.59
WY4422-150AW				150	98	106	113	54	72	68	94	7	Ø3.6	6 x 12	M3.5	3.23
WY4422-200AW				200	112	114	110	58	76	65.5	88	10	Ø3.6	5 x 10	M4	3.60
WY4422-300AW				300	121	122	114	66	84	73	95	10	Ø3.6	5 x 10	M4	4.97
WY4422-500AW				500	140	140	126	82	98	79.5	105	10	Ø3.6	6 x 12	M4	7.10
WY4422-750AW				750	160	162	146	96	114	92.5	125	10	Ø3.6	6 x 13	M4	10.70
WY4422-1KAW				1K	160	160	157	96	114	102.5	135	10	Ø3.6	6 x 14	M4	12.30
WY4422-1.5KAW				1.5K	185	188	151	110	134	95	123	16	Ø3.6	7 x 14	M6	16.50
WY4422-2KAW				2K	185	188	171	110	134	115	143	16	Ø3.6	7 x 13	M6	20.10

● Dimension

•WT Type



● Terminal



40VA~150VA : Max 6, Min 3.5  
200VA~1kVA : Max 9, Min 4  
1.5~2kVA : Max 15, Min 6

트랜스포머  
REACTOR  
리액터  
무정전압릴레이  
SSR  
전력조정기  
TPR  
스위칭파워  
SMP  
노이즈필터  
N/F  
하모닉필터  
H/F  
서지보호기  
SPD  
보호계전기  
RELAY  
E  
LD = G  
F R  
영상변류기  
ZCT  
판넬메타  
METER  
계기용변성기  
CT = VT  
SHUNT = FAN  
선트팬