

# UL TYPE TRANSFORMER

WY42-UL Series WT Type



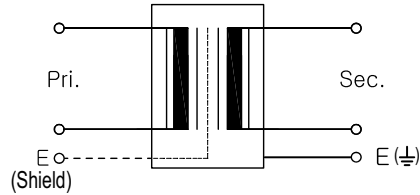
## UL 인증

단상 복권형으로 일반 전원 공급용 제품이며 전 규격을 인증 받아 신뢰성과 안전성을 동시에 확보한 제품입니다.



The product, which is a single phase isolation transformer general electric source, has been certified for its proven reliability and safety.

### • Circuit Diagram



### ● Standard & Approval

- UL 5085-1/2
- UL 1059(Terminal Block)
- IEC 61558

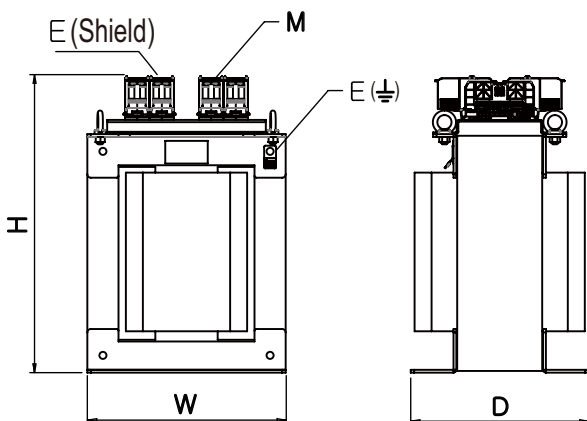
### ● Specifications

Insulation Class H

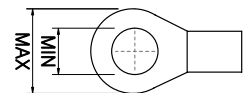
MODEL NO.	TYPE	SPECIFICATIONS		VA	DIMENSIONS (mm)									WEIGHT (kg)
		PRI.(V)	SEC.(V)		W	H	D	a	b	Ø	E(Shield)	E(⏚)	M	
WY42-7.5KUL	WT	①380 ②400 ③415 ④440 ⑤460 ⑥480	①200 ②208 ③220 ④230 ⑤240	7.5k	270	397	203	180	173	11 x 35	M6	M5	M8	70.00
WY42-10KUL				10k	310	411	215	219	167	13 x 40	M6	M5	M8	85.00
WY42-15KUL				15k	330	403	269	240	210	11 x 35	M6	M5	M8	110.00
WY42-20KUL				20k	330	438	279	240	220	11 x 35	M6	M5	M10	130.00
WY42-30KUL				30k	350	523	314	250	245	13 x 40	M6	M5	M10	195.00

※ 1차, 2차 전압은 주문시 선택

### ● Dimension



### ● Terminal



7.5~15kVA : Max 28, Min 8  
20~30kVA : Max 39, Min 10