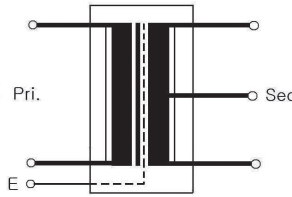


단상 복권형으로 입력은 AC220, 380, 440V이며 출력은 AC12V~26V 로 출력 전압을 다양화 하였으며, AC 입력전압 인가시 전원표시 LED가 부착 되어있어 소비자의 안전성을 한층 높인 제품입니다.

Input voltage of single phase is AC 220V, 380V and 440V and output is AC 12V to 26V. Existing product manufactured by Poly carbonate and bolt has been manufactured by terminal block with LED to increase safety of customer and efficiency of wiring.

• Circuit Diagram



● Specifications

Insulation Class B

MODEL NO.	TYPE	SPECIFICATIONS		VA	DIMENSIONS (mm)										WEIGHT (kg)	
		PRI.(V)	SEC.(V)		W	H	D	a	b	c	d	e	(a.c)Ø1	Ø2		M
• 12-26V SERIES																
WYHP-25AP	WMT	0-220-380-440	E-0-12-24	25	94	77	61	72	80	37	-	-	-	5 x 7.5	M3	0.75
WYHP-50AP	WT	0-220-380-440-(E)	0-12-18-22-24-26	50	79	89	88	42	57	53.5	68	7	Ø3.6	5 x 12	M3.5	1.65
WYHP-100AP				100	89	98	105	46	65	62	83	7	Ø3.6	5 x 12	M3.5	2.59
WYHP-150AP				150	112	114	105	58	76	60.2	82	10	Ø3.6	5 x 10	M4	3.45
WYHP-200AP				200	112	114	110	58	76	65.5	88	10	Ø3.6	5 x 10	M4	3.60
WYHP-300AP				300	121	122	114	66	84	73	95	10	Ø3.6	5 x 10	M4	4.97
WYHP-500AP				500	140	140	126	82	98	79.5	105	10	Ø3.6	6 x 12	M4	7.10
WYHP-1KAP				1K	160	160	157	96	114	102.5	135	10	Ø3.6	6 x 14	M4	12.30

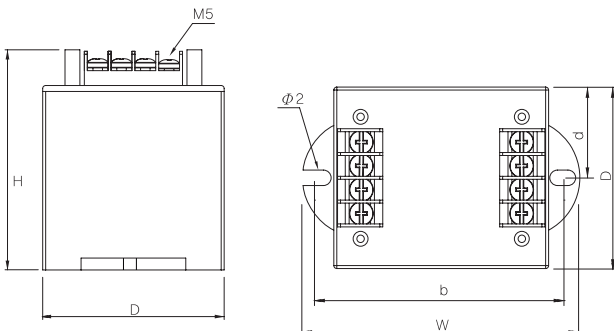
※ 정격용량 : 최대전압(TAP)에서의 용량임.
 ※ Rated capacity : Capacity at the maximum voltage(TAP).

● Terminal

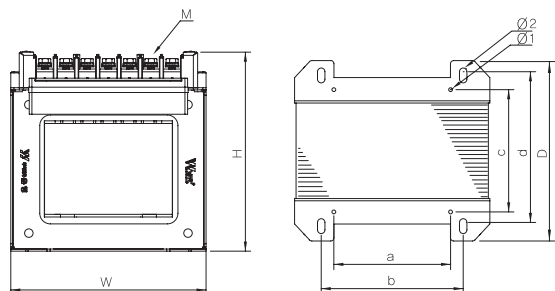


● Dimension

• WMT Type



• WT Type



TRANS=인덕터
 REACTOR=리액터
 SSR=무정전압릴레이
 TPR=전력조정기
 SMPSS=스위칭파워
 NF=노이즈필터
 HF=하모닉필터
 SPD=서지보호기
 RELAY=보호계전기
 ELD=누전경보기
 ZCT=영상변류기
 METER=판넬메타
 CT=VT=계기용변성기
 SHUNT=팬