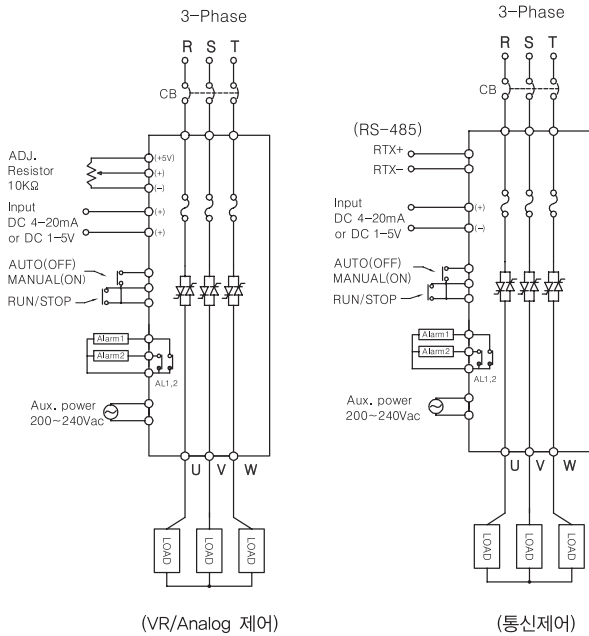


Heater Load Control Type

삼상 전력 제어의 제품으로 위상 제어 및 사이클제어가 겸용으로 선택 가능하도록 되어 있고 1대의 제품으로 모든 정정이 가능하고 과부하, 히터단선, 부하불평형, 방열판과열을 알수있는 기능과 경보용 Alarm 접점이 구비되어 보다 안전하게 사용 가능한 전력제어 유닛입니다.

It is a three phase power control product. It is able to select both phase control and cycle control. All of the products can be corrected with one product. Overload, heater disconnection, load unbalance, heat sink overheating and alarm contacts are provided. It is a power control unit that can be used more safely.

● Connection Diagram

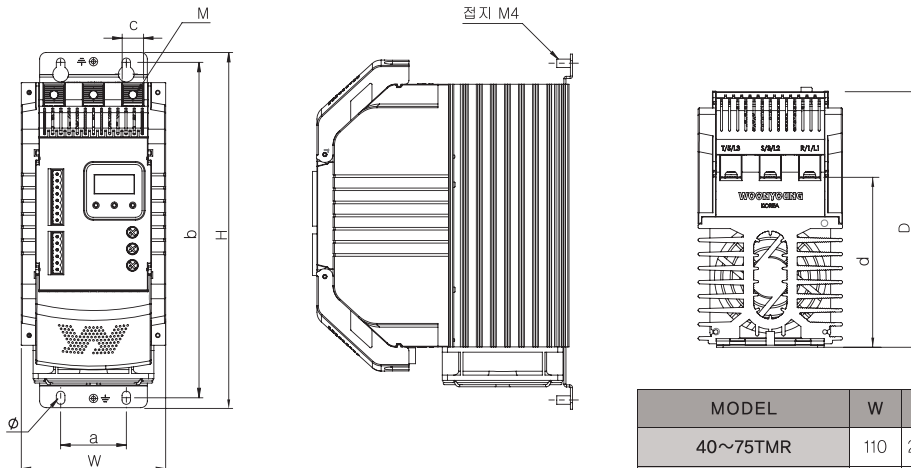


● Specifications

ITEM	MODEL	100V/240V	WYU-PG40/55/75/90/130/160TMR(C)
		360V/460V	WYU-PH40/55/75/90/130/160TMR(C)
Module	SCR (6Arm)		
Aux. Power	200~240Vac		
Rated Voltage	100~240V, 360~460V		
Frequency	Auto-Ranging : 50Hz / 60Hz		
Rated current	40A, 55A, 75A, 90A, 130A, 160A		
Control mode setting	Phase Control Cycle		
Soft Start setting	Soft start : 0~50 sec, Soft up/down : 0~50sec		
Load Type	Resistance Load / Inductance Load(Transformer 1'st)		
Control input setting	1~5Vdc, DC 4~20mA, VR (10k Ω), Jog dial, Modbus 485		
Communication	Modbus RS-485 R/W (9600,14400,19200,38400bps)		
Cooling Type	Fan cooling		
Contact capacity	240VAC@5A / 24VDC@10A		
Dielectric withstand	Pri-Sec, Pri-Earth : 2000Vac for 1Minute Sec-Earth : 500Vac for 1Minute		
Insulation resistance	100M Ω (at 500Vdc mega)		
Operating temperature	0~40°C (at non-freezing status)		
Operating humidity	35~85%RH		
Storage temperature	-20~80°C (at non-freezing status)		
Weight	18kg		

※ " R " : Resister type , " C " : Communication type

● Dimension



MODEL	W	H	D	a	b	c	d	M	Ø
40~75TMR	110	270,5	194,6	50	255,5	16,3	129,4	M6	6,5
90~160TMR	140	359,8	224	60	338,1	25	158,7	M8	8,5