

# UL TYPE TRANSFORMER

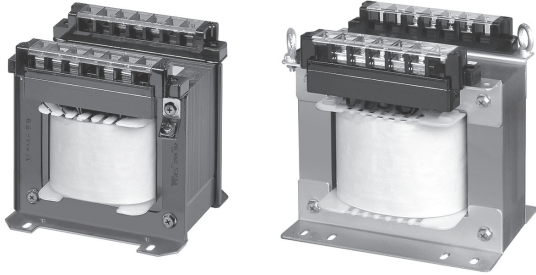
WY22-UL Series WT Type



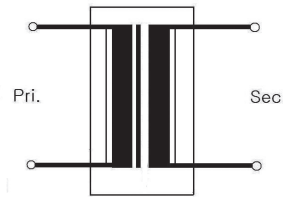
## UL 인증

단상 복권형으로 일반 전원 공급용 제품이며 전 규격을 UL<sup>®</sup> CE 인증 받아 신뢰성과 안전성을 동시에 확보한 제품 입니다.

The product, which is a single phase isolation transformer general electric source, has been UL<sup>®</sup> CE certified for its proven reliability and safety.



### • Circuit Diagram



### ● Standard & Approval

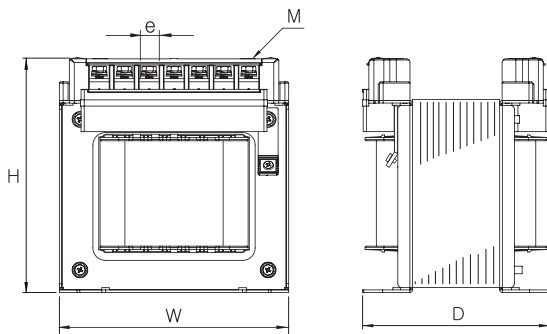
- UL 5085-1/2
- UL 1059(Terminal Block)
- IEC 61558

### ● Specifications

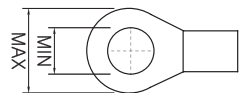
| MODEL NO.   | TYPE | SPECIFICATIONS                       |                                      | VA   | DIMENSIONS (mm) |       |       |       |     |       |       |    |         |     | WEIGHT (kg) |
|-------------|------|--------------------------------------|--------------------------------------|------|-----------------|-------|-------|-------|-----|-------|-------|----|---------|-----|-------------|
|             |      | PRI.(V)                              | SEC.(V)                              |      | W               | H     | D     | a     | b   | c     | d     | e  | Ø       | M   |             |
| WY22-100UL  | WT   | ①200<br>②208<br>③220<br>④230<br>⑤240 | ①200<br>②208<br>③220<br>④230<br>⑤240 | 100  | 98,4            | 105,9 | 113   | 72    | 92  | 98,4  | 113   | 7  | 6 X12   | 3,5 | 3,23        |
| WY22-200UL  |      |                                      |                                      | 200  | 120             | 121,5 | 114   | 84    | 95  | 120   | 114   | 10 | 5,5 X10 | 4   | 4,95        |
| WY22-300UL  |      |                                      |                                      | 300  | 140             | 136,5 | 126,2 | 97,9  | 106 | 140   | 126,2 | 10 | 6 X12   | 4   | 7,25        |
| WY22-500UL  |      |                                      |                                      | 500  | 160,2           | 161,1 | 146   | 114   | 124 | 160,2 | 146   | 10 | 6 X13   | 4   | 10,70       |
| WY22-750UL  |      |                                      |                                      | 750  | 160,2           | 161,1 | 156   | 114   | 134 | 160,2 | 156   | 10 | 6 X13   | 4   | 12,30       |
| WY22-1KUL   |      |                                      |                                      | 1K   | 184             | 188   | 150   | 133,8 | 122 | 184   | 150   | 10 | 7 X14   | 4   | 16,65       |
| WY22-1,5KUL |      |                                      |                                      | 1,5K | 184             | 188   | 170   | 133,8 | 142 | 184   | 170   | 16 | 7 X14   | 6   | 20,75       |
| WY22-2KUL   |      |                                      |                                      | 2K   | 219             | 226   | 169   | 180   | 135 | 219   | 172   | 16 | 7 X15   | 6   | 26,80       |
| WY22-3KUL   |      |                                      |                                      | 3K   | 243             | 247   | 192   | 180   | 165 | 243   | 192   | 16 | 9 X19   | 6   | 40,20       |
| WY22-5KUL   |      |                                      |                                      | 5K   | 270             | 269   | 200   | 180   | 170 | 270   | 200   | 16 | 9 X19   | 6   | 54,00       |

※ 1차, 2차 전압은 주문시 선택

### ● Dimension



### ● Terminal



- 100VA : Max 6, Min 3.5
- 200VA~1kVA : Max 9, Min 4
- 1.5~5kVA : Max 15, Min 6
- 7.5kVA : Max 23, Min 6
- 10kVA : Max 25, Min 6