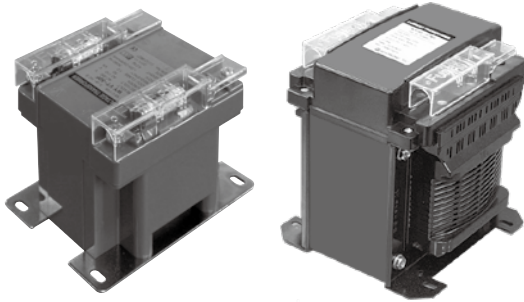


VOLTAGE TRANSFORMER (VT)

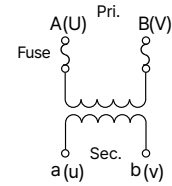
0.72~1.15kV (50~500VA)



Specifications

- Maximum voltage : 0.72~1.15kV
- Frequency : 60Hz (standard) 50/60Hz
(by specified) classification
- Over voltage factor : 1.2Vn (KS C IEC 61869-3)
- Fuse : AC500V (MAX) 10.3 x 38mm

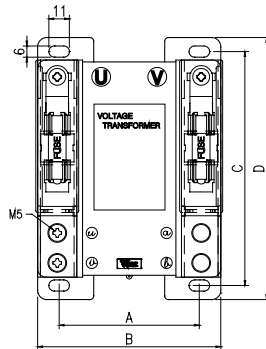
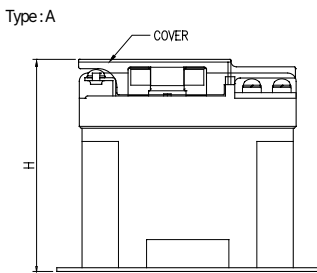
Connection Diagram



Model	Rated Voltage[V]		IEC 61869-3		KS C 1706		IEEE C 57.13		JEC 1201		Fuze (A)	Weight (kg)
	1st	2nd	Burden [VA]	Class [%]	Burden [VA]	Class [%]	Burden	Class	Burden	Class [%]		
WYVT-50F	110 ~ 600	110 or 220	50	1.0	50	1.0	M	1.2	50	1P	2A	≒3.9
WYVT-100F			100	1.0	100	1.0	Y	1.2	100	1P		≒4.0
WYVT-200F			200	1.0	200	1.0	Z	1.2	200	1P		≒5.0
WYVT-300F			300	1.0	300	1.0	-	-	300	1P		≒7.1
WYVT-500F			500	1.0	500	1.0	ZZ	1.2	500	1P		≒10.0

※ Type "F" : Fuse in type

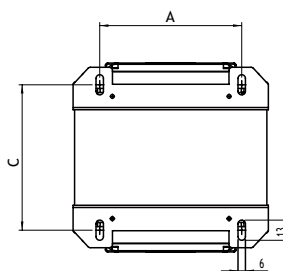
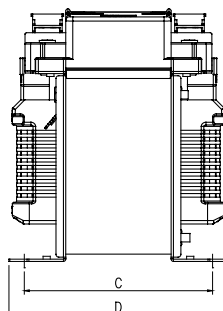
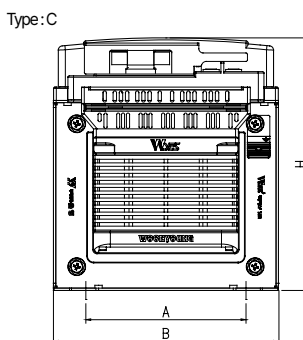
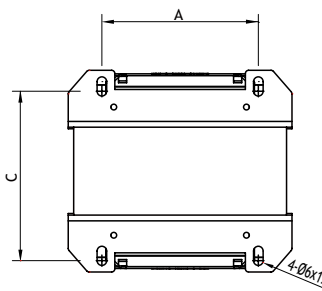
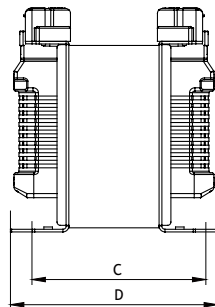
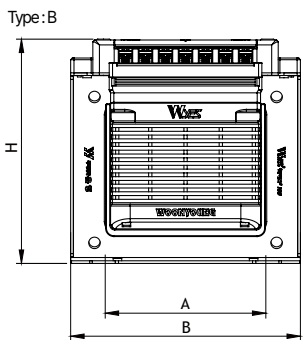
Illustration & Drawing



Dimension

MODEL	A	B	C	D	H	Type
WYVT-50F	75	98	125	140	110	A
WYVT-100F	85	108	125	140	110	
WYVT-200F	95	113	125	140	123	
WYVT-300F	98	140	106	126.5	136.5	B
WYVT-500F	114	160	134	156	180	C

unit : (mm)



T R A N S = N C T 트랜스포머
 R E A C T O R 리액터
 S S R 무정전용량레이
 T P R 전력조정기
 S M P S 스위칭파워
 N / F 노이즈 필터
 H / F 하모닉 필터
 S P D 서지보호기
 R E L A Y 보호계전기
 E L D = G F R 누전경보기
 Z C T 영상변류기
 M E T E R 판넬메타
 C T = V T 계기용변성기
 S H U N T = F A N 션트팬