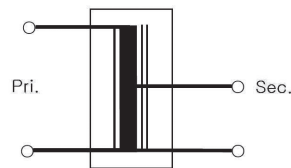


단상단권형으로 입력과 출력 전압이 한권선으로 전압탭을 인출하여 크기가 작고 가격이 저렴한 반면 사용이 제한되어 Lamp, Heater, Motor, Fan부하 등 단순 부하에 사용되나 콘트를 제어 위치제어 PLC, 각종 Noise에 영향을 받는 제품 사용시에는 오동작 우려가 있으니 신중하게 고려 하시기 바랍니다.

It is single phase and auto transformer that the primary and secondary windings are connected. So the size is small and the price is cheap but it is used simple load as Lamp, Heater, Motor and Fan.

Please consider carefully because it may malfunction when use to noise sensitive appliance to various controllers, position controller, PLC Etc.

• Circuit Diagram



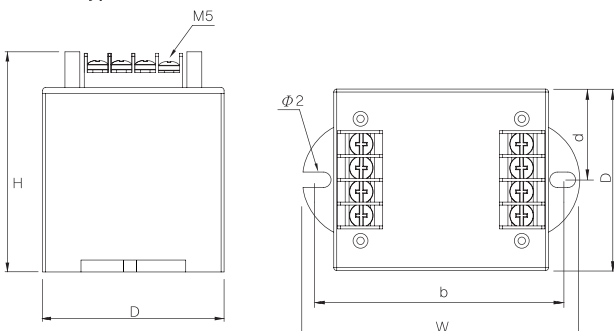
● Specifications

MODEL NO.	TYPE	SPECIFICATIONS		VA	DIMENSIONS (mm)										WEIGHT (kg)	
		PRI.(V)	SEC.(V)		W	H	D	a	b	c	d	e	(a,c)Ø1	Ø2		M
WYAU-10DT	WMT	0-100-110-200-220-240		10	72	60	36	-	60	-	18	-	Ø4.5	4.5x8	-	0.75
WYAU-50DT		(0V : COMMON)		50	94	77	61	72	80	37	-	-	-	5 X7,5	M3	0.78
WYAU-75D				75	79	89	83	42	57	48,5	63	7	Ø3,6	5 X12	M3,5	1,31
WYAU-100D	WT	0-100-110-200-220-240 (0V : COMMON)		100	79	89	88	42	57	53,5	68	7	Ø3,6	5 X12	M3,5	1,65
WYAU-150D				150	89	98	105	46	65	62	83	7	Ø3,6	5 X12	M3,5	2,30
WYAU-200D				200	98	106	105	54	72	61	88	7	Ø3,6	6 X12	M3,5	2,59
WYAU-300D				300	98	106	113	54	72	68	94	7	Ø3,6	5 X10	M3,5	3,23
WYAU-500D				500	112	122	114	66	84	73	95	10	Ø3,6	5 X10	M4	4,97
WYAU-1KD				1K	140	140	126	82	98	79,5	105	10	Ø4,3	6 X12	M4	7,10
WYAU-1,5KD				1,5K	160	162	146	96	114	92,5	125	10	Ø3,6	6 X13	M4	10,70
WYAU-2KD				2K	160	160	157	96	114	100,5	135	10	-	6 X13	M4	12,30
WYAU-3KD				3K	185	188	151	110	134	95	123	16	-	7 X14	M6	16,50
WYAU-5KD				5K	219	220	170	-	120	-	135	16	-	10 X30	M6	26,70
WYAU-7,5KD				7,5K	245	240	188	-	180	-	158	16	-	10 X30	M6	33,50
WYAU-10KD				10K	245	240	192	-	180	-	165	16	-	10 X30	M6	40,20
WYAU-15KD				15K	270	272	236	110	180	110	175	16	-	10 X35	M6	52,00
WYAU-20KD				20K	310	305	250	-	220	-	160	16	-	10 X30	M6	68,00
WYAU-30KD				30K	310	305	280	-	220	-	180	16	-	10 X35	M6	91,90
WYAU-40KD				40K	360	385	360	-	270	-	200	16	-	13,5 X35	M8	102,00
WYAU-50KD				50K	380	450	440	-	200	-	230	16	-	13,5 X35	M8	112,30

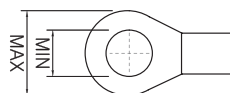
※ 5kVA까지 LED 부착  
 ※ 3kVA 이상 "I" Bolt 부착 (Attach an "I" bolt for 3kVA or larger)

● Dimension

• WMT Type



● Terminal



75~300VA : Max 6, Min 3.5  
 500VA~2kVA : Max 9, Min 4  
 3~30kVA : Max 15, Min 6  
 40~50kVA : Max 19, Min 8

• WT Type

