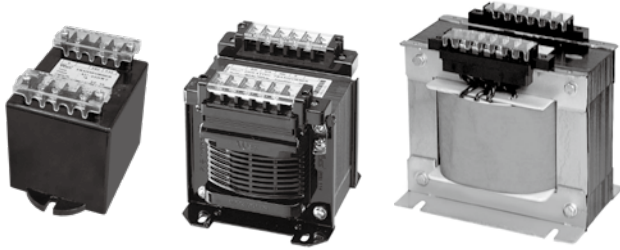
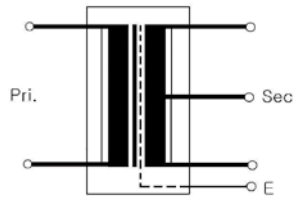


단상 복권형으로 AC 380V, 440V 이며 출력은 AC 110V, 220V 로 소용량부터 대용량까지 규격화 하였으며 CE를 획득하여 품질을 한층 높였습니다. AC 입력 전압 인가시 전원 표시 LED가 동작하여 소비자의 안전성을 고려한 제품 입니다.

Input voltage of single phase is AC 380V and 440V and output is AC 110V and 220V. Product is specialized and standardized from small sized to large capacity CE to meet the customer needs with the classification of efficiency of power lamp type.



• Circuit Diagram



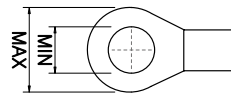
• 20VA~2KVA Insulation Class B
• 3KVA~7.5KVA Insulation Class H

● Specifications

MODEL NO.	TYPE	SPECIFICATIONS		VA	DIMENSIONS (mm)											WEIGHT (kg)
		PRI.(V)	SEC.(V)		W	H	D	a	b	c	d	e	(a.c)Ø1	Ø2	M	
• 380V, 440V Line → 220V Line																
WY42-20AWT	WMT	0-380-440	0-110-220-(E)	20	94	77	61	72	80	37	-	-	-	5 x 7.5	M3	0.75
WY42-40AW	WT	0-380-420-440	0-110-200-220-(E)	40	79	89	83	42	57	48.5	63	7	Ø3.6	5 x 12	M3.5	1.31
WY42-60AW				60	79	89	88	42	57	53.5	68	7	Ø3.6	5 x 12	M3.5	1.65
WY42-80AW				80	89	98	105	46	65	62	83	7	Ø3.6	6 x 12	M3.5	2.30
WY42-100AW				100	98	106	105	54	72	61	88	7	Ø3.6	6 x 12	M3.5	2.59
WY42-150AW				150	98	106	113	54	72	68	94	7	Ø3.6	6 x 12	M3.5	3.20
WY42-200AW				200	112	114	110	58	76	65.5	88	10	Ø3.6	5 x 10	M4	3.60
WY42-300AW				300	121	122	114	66	84	73	95	10	Ø3.6	5 x 10	M4	4.97
WY42-500AW				500	140	140	126	82	98	79.5	105	10	Ø3.6	6 x 12	M4	7.10
WY42-750AW				750	160	162	146	96	114	92.5	125	10	Ø3.6	6 x 13	M4	10.70
WY42-1KAW				1K	160	162	156	96	114	102	134	16	Ø4.3	7 x 14	M6	12.30
WY42-1.5KAW	1.5K	184	188.5	150	110	133.8	95.2	122	16	Ø4.3	7 x 14	M6	16.50			
WY42-2KAW	2K	184	188.5	170	110	133.8	115.2	137	16	Ø4.3	7 x 19	M6	20.10			
WY42-3KAW	WT	0-380-420-440	0-110-200-220-(E)	3K	219	226	170	-	120	-	135	16	-	7 x 15	M6	26.70
WY42-5KAW				5K	245	240	192	-	180	-	165	16	-	9 x 19	M6	40.20
WY42-7.5KAW				7.5K	270	270	200	-	180	-	170	16	-	9 x 19	M6	52.00

※ 3KVA 이상 "I" Bolt 부착 (Attach an "I" bolt for 3KVA or larger) ※ 정격용량 : 최대전압(TAP)에서의 용량임. ※ Rated capacity : Capacity at the maximum voltage(TAP).

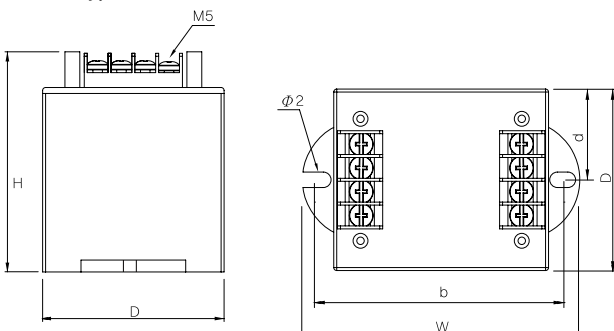
● Terminal



40~50VA : Max 6, Min 3.5
200VA~1kVA : Max 9, Min 4
2~7.5kVA : Max 15, Min 6

● Dimension

• WMT Type



• WT Type

