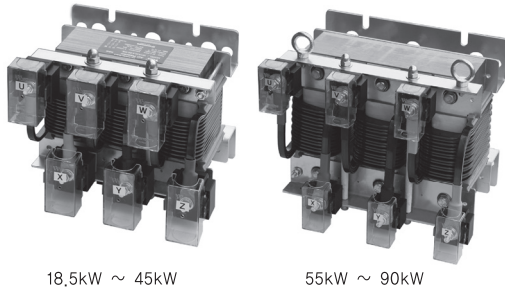


# SMART REACTOR

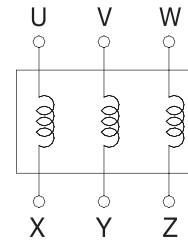
## AC OUTPUT REACTOR 인버터 후단용 (Wall Mounting Type ACL)



18,5kW ~ 45kW

55kW ~ 90kW

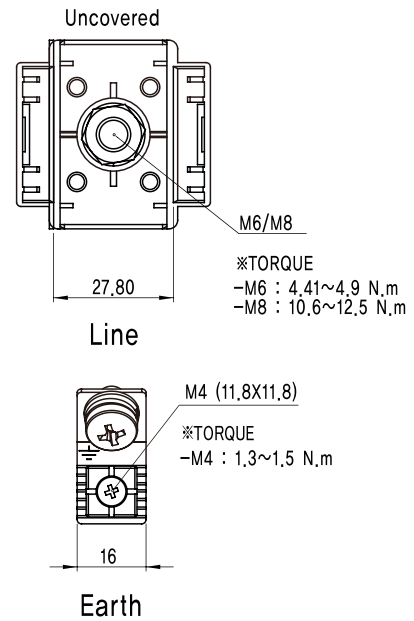
### ● Circuit Diagram



### ● Specifications

Phase	3 Φ	
Frequency	0~60 Hz	
Inverter Switching Frequency	1,5~3,0 kHz (up to 4,5kHz with derating according graph A)	
Insulation Class	H	
Cooling	Natural cooling AN	
Limited temp. rinsing	120 k (at 3 kHz)	
Overload capability	1,6x rated current for 1 minute, once per hour	
Audible Noise	Max, 82 dB (With derating according graph B)	
Pollution degree	PD3	
Protection category	IP00	
Operating Temp. & Hum.	-20 ~ 40°C & 0~80% (Non-Condensing)	
Storage Temp. & Hum.	-20 ~ 50°C & 0~80% (Non-Condensing)	
Dielectric withstand voltage	Between each terminal & body (3,0kVAC for 1min.)	
Insulation Resistance	Min, 100MΩ, at 500VDC Megger	
Related Standard	IEC 61558-1	Safety of power transformers, power supplies, reactors and similar products - Part 1 : General Requirements and tests
	IEC 61558-2-20	Safety of transformers, reactors, power supplies units and combination thereof - Part 2-20 : Particular requirements and tests for small reactors

### ● Terminal



### ● Wall Mounting Type

220V (Impedance Voltage : 1,3% 220VAC, 60Hz)

MODEL	용량(kW)	정격전류 (A)	인덕턴스 (mH)	Dimensions(mm)								Weight (kg)
				W	H	D	W1	D1	Φ1	M	E	
WYACL2-18,5W	18,5	100	0,044	219	189	177	100	164	9x15	M8	M4	12
WYACL2-22W	22	116	0,038	219	189	177	100	164	9x15	M8	M4	13
WYACL2-30W	30	134	0,033	258	214	209	100	184	9x15	M8	M4	24
WYACL2-37W	37	164	0,027	258	214	209	100	184	9x15	M8	M4	26
WYACL2-45W	45	200	0,022	258	214	209	100	184	9x15	M8	M4	27

380V~440V (Impedance Voltage : 1,3% 400VAC, 60Hz)

MODEL	용량(kW)	정격전류 (A)	인덕턴스 (mH)	Dimensions(mm)								Weight (kg)
				W	H	D	W1	D1	Φ1	M	E	
WYACL4-18,5W	18,5	50	0,159	219	189	168	100	155	9x15	M6	M4	12
WYACL4-22W	22	58	0,137	219	189	168	100	155	9x15	M6	M4	13
WYACL4-30W	30	67	0,119	258	214	195	100	183	9x15	M6	M4	24
WYACL4-37W	37	82	0,097	258	214	216	100	184	9x15	M6	M4	26
WYACL4-45W	45	100	0,080	258	214	216	100	184	9x15	M8	M4	27
WYACL4-55W	55	121	0,066	299	247	265	150	230	11x20	M8	M4	40
WYACL4-75W	75	167	0,048	299	247	265	150	230	11x20	M8	M4	42
WYACL4-90W	90	190	0,042	299	247	265	150	230	11x20	M8	M4	43

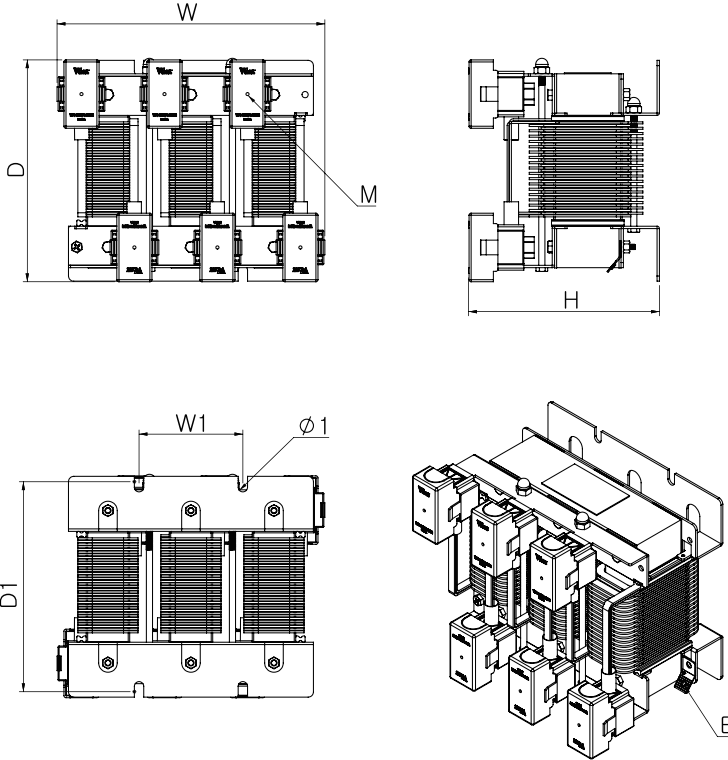
# SMART REACTOR

AC OUTPUT REACTOR 인버터 후단용 (Wall Mounting Type ACL)

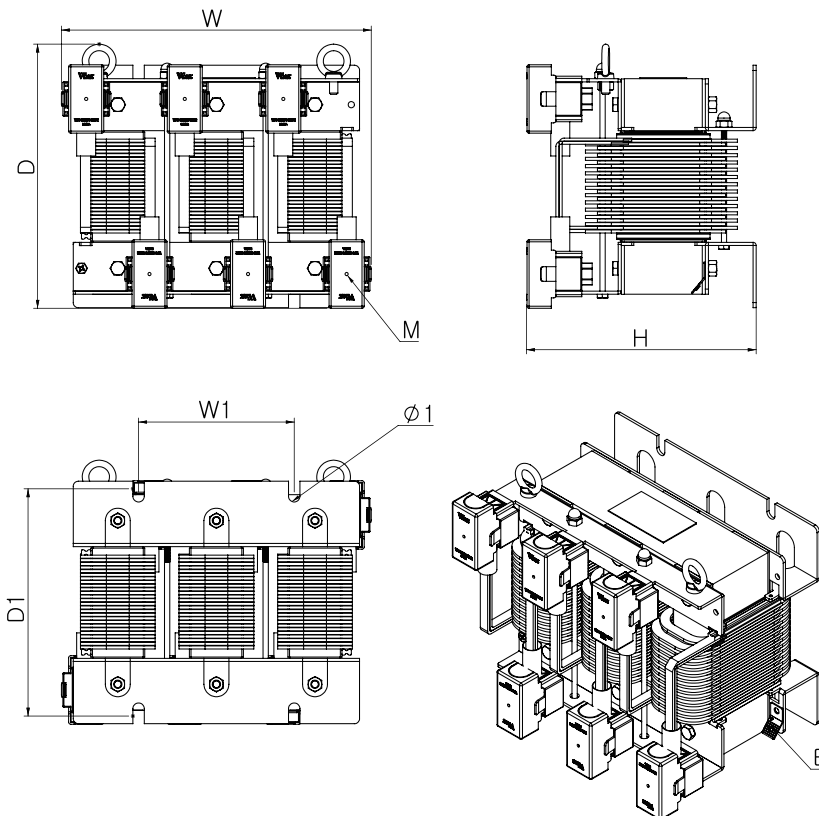
CE RoHS

● Dimension

Wall Mounting Type 18.5~45kW



Wall Mounting Type 55~90kW (I-bolt M8)



노아  
NCT  
리액터

리액터  
REACTOR

트랜스포머  
TRANS.

공용형필터  
AHF

수용형필터  
PHF

마이크로서지필터  
MSF

사인웨이브필터  
SWF

영상고조파필터  
ZHF