

SOLID STATE RELAY(SSR)

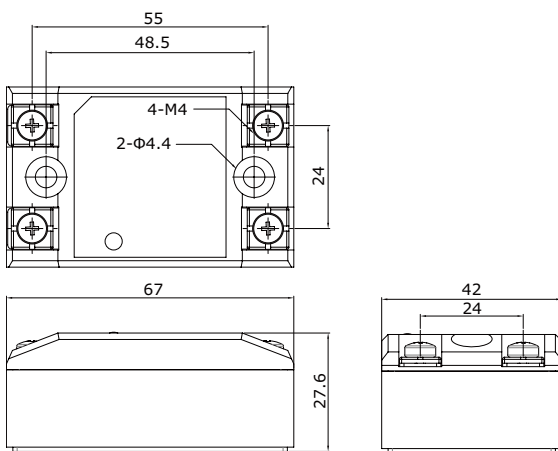
10 WYG AC220V 10A~80A (DC/AC, AC/AC Type)



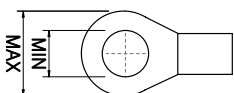
Metal Bonding Process



Dimension

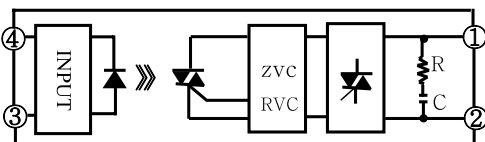


Terminal

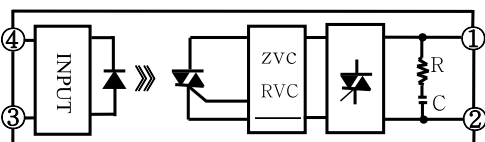


Input Ter : Max 9.5, Min 4
Output Ter : Max 9.5, Min 4

Block Diagram



* ZVC : ZERO CROSS VOLTAGE CIRCUIT
* RVC : RANDOM CROSS VOLTAGE CIRCUIT



* ZVC : ZERO CROSS VOLTAGE CIRCUIT
* RVC : RANDOM CROSS VOLTAGE CIRCUIT

일반형(General Type)

본 제품 시리즈는 UL (cUL) 인증을 획득한 제품으로 AC90~240V, 10~80A의 용량을 가지고 있으며 일반 저항성 부하(Z형), 일반 유도성 부하(R형)에 사용되며 입력 콘트롤에 따라 ON/OFF 상태를 식별할 수 있는 램프(LED)가 부착되어 있는 SSR입니다.

• cUL 규격인증품 : UL508

These product series have acquired UL (cUL) certification. They carry capacity of AC90~240V 10~80A, and are used on resistive load (Z type) and on general inductive load. These SSR feature an LED that can identify the state of power ON/OFF according to input control.

• cUL Std. No : UL508

Specifications

※ cUL Certificated

ITEM	MODEL	※ WYG1C10/20/30/40Z4 WYG1C50/60/80Z4		WYG1C10/20/30/40Z40 WYG1C50/60/80Z40				
		WYG1C10/20/30/40R4 WYG1C50/60/80R4		WYG1C10/20/30/40R40 WYG1C50/60/80R40				
O U T P U T	Rated voltage	220VAC						
	Voltage range	90 ~ 240VAC						
	Non repetitive peak voltage	600V						
	Rated load current	10A	20A	30A	40A	50A	60A	80A
	Frequency	50 / 60Hz						
	Peak surge current	125A	300A	315A	315A	525A	525A	525A
	leakage current	10mA						
	Contact voltage drop	1.3V	1.5V	1.3V	1.3V	1.3V	1.3V	1.8V
I N P U T	Minimum operating current	1.0A						
	Maximum input voltage	32VDC			240VAC			
	Input voltage range	4 ~ 32VDC			90 ~ 240VAC			
	Input current	10mA			16mA(MAX)			
	Minimum operating voltage	3.0VDC			85VAC			
G E N E R A L	Turn off voltage	1.4VDC			20VAC			
	Dielectric withstand	2000VAC / rms / 1Min						
	Insulation resistance	DC 500V / 100MΩ						
	Response time	R4 : 1±1ms Z4 : 8.3±1ms R40, Z40 : 30±1ms						
	Circuit control	Z40, Z4 : Zero cross type R40, R4 : Random cross type						
	Operating temperature	-10 ~ +60°C						
	Storage temperature	-20 ~ +80°C						
	Weight	0.1kg						

Application Circuit

