

COOLING FAN

A15C51T Series 172 x 150 x 51mm Ball Type



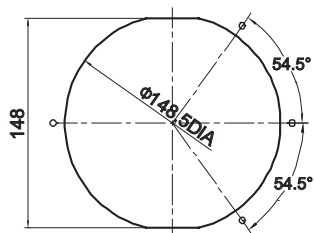
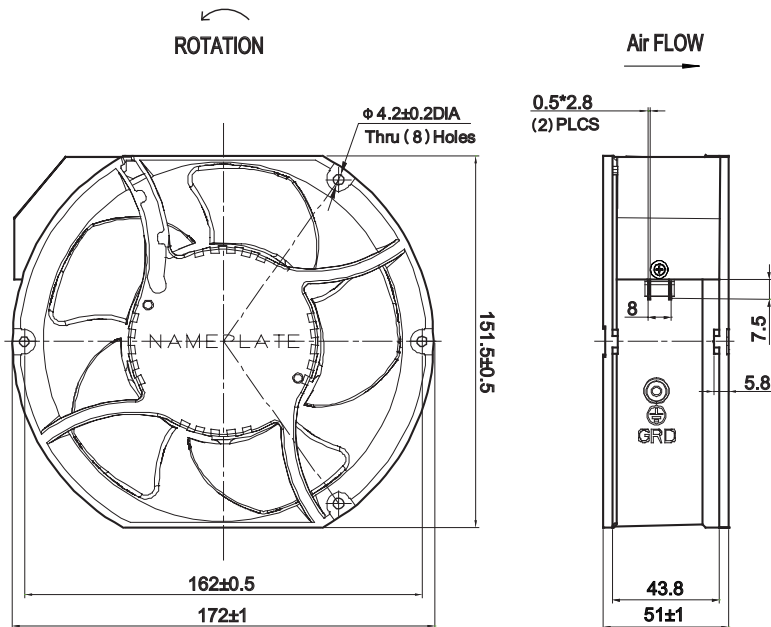
● A15C51T Series

- SIZE : 172 x 150 x 51mm
- AIR FLOW : 323/399m³/hr
190/235CFM
- NOISE : 49/50dBA
- IMPELLER MATERIAL : PBT Thermoplastic Black,UL94-V0
- FRAME : Aluminum Alloy
- TERMINALS : 0.5mm
- LEAD WIRE : AWG#22 UL 1569(Optional)
- MOTOR : Shaded Pole Induction Motor
- OPERATING TEMPERATURE : -10°C ~ +65°C

● Specification

MODEL NO.	Type	VOLTAGE (VAC)	FREQ. (Hz)	CURRENT	POWER	SPEED (RPM)	NOISE (dBA)	AIR FLOW		WEIGHT (g)
								m ³ /hr	CFM	
WYA1V15C51TBT-1	Ball Bearing	100/125	50/60	0.65/0.5	46/35	2600/3000	45/50	323/399	190/235	820
WYA2V15C51TBT-1		200/240	50/60	0.24/0.21	38/33	2600/2700	45/50	323/399	190/235	

● Dimension



● Characteristics

