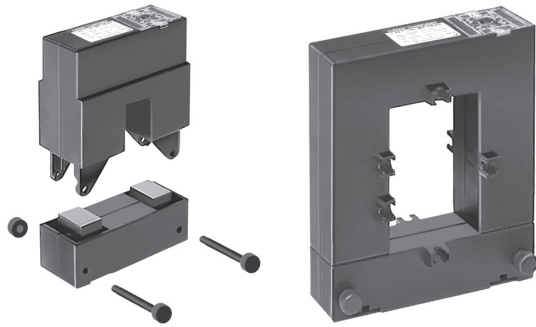


# SPLIT TYPE (분할형) CURRENT TRANSFORMER

0.72kV (50~5000A)



- Standard :KS C 1706, IEC 61869-2, JEC 1201, IEEE C 57.13



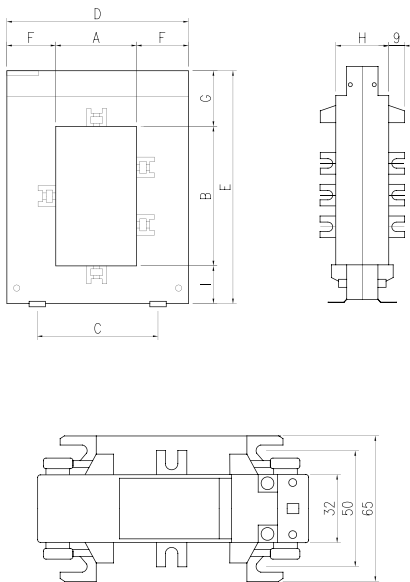
### ● Specifications

- Split Core Type
- Maximum voltage : 0.72kV
- Withstand : 3kV/1min
- Frequency : 50Hz or 60Hz

### ● Features

- Protect cover
- Easy to install panel mounting kit

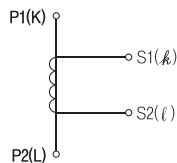
### ● Illustration & Drawing



### ● Single Ratio Type

MODEL	Primary (A)	Secondary (A)	Burden(VA)	
			Class 3.0	Class 1.0
WYSC-23	100~120	1, 5	1.25	-
	150~200		1.5	-
	250		2	-
	300		3.75	-
WYSC-58	400	1, 5	5	-
	250		2	-
	300~400		3	-
WYSC-88	500~800	1, 5	-	5
	1000		-	10
	250		-	3.75
	300		-	5
	400		-	10
WYSC-812	500~800	1, 5	-	15
	1000		-	15
	1200~1250		-	15
	1500		-	15
	500		-	10
WYSC-816	1000	1, 5	-	15
	1500~2500		-	15
	3000~5000		-	15

### ● Connection Diagram



### ● Dimension

unit : (mm)

MODEL	A	B	C	D	E	F	G	H	I	Weight(Kg)
WYSC-23	20	30	51	89	111	34	47	40	32	0.75
WYSC-58	50	80	78	114	145	32	32	32	33	0.9
WYSC-88	80	80	108	144	145	32	32	32	33	1.05
WYSC-812	80	120	108	144	185	32	32	32	33	1.25
WYSC-816	80	160	120	184	245	52	52	52	38	4.3