

UL TYPE TRANSFORMER

WY3P42-UL Series WT Type

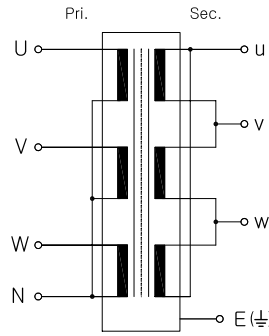
UL 인증



삼상 복권형으로 일반 전원 공급용 제품이며 전 규격을 인증 받아 신뢰성과 안전성을 동시에 확보한 제품입니다.

The product, which is a three phase isolation transformer general electric source, has been certified for its proven reliability and safety.

•Circuit Diagram



● Standard & Approval

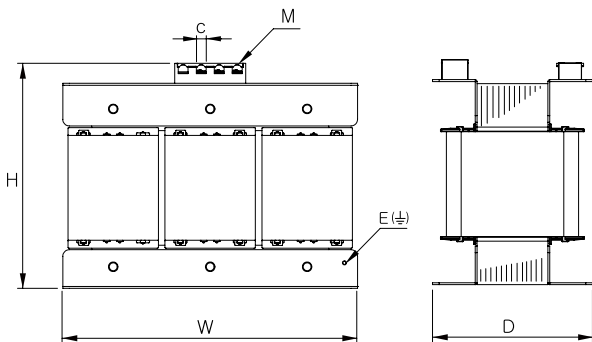
- UL 5085-1/2
- UL 1059(Terminal Block)
- IEC 61558

● Specifications

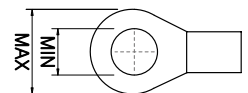
MODEL NO.	TYPE	SPECIFICATIONS		VA	DIMENSIONS (mm)										WEIGHT (kg)
		PRI.(V)	SEC.(V)		W	H	D	a	b	c	∅	E(⊥)	M		
WY3P42-500UL	WT	 ①380 ②400 ③415 ④440 ⑤460 ⑥480	 ①200 ②208 ③220	500	190	172	135	99	130	12	6.6 x 16.3	M4	M4	13.00	
WY3P42-1KUL				1k	235	210	144	113.5	120	12	7 x 14.5	M4	M4	18.60	
WY3P42-1.5KUL				1.5k	275	248	165	130	120	16	9 x 19	M4	M6	20.00	
WY3P42-2KUL				2k	275	248	165	130	120	16	9 x 19	M4	M6	30.50	
WY3P42-3KUL				3k	332	292	190	160	180	16	10.5 x 20.5	M4	M6	45.40	
WY3P42-5KUL				5k	332	292	190	185	180	16	10.5 x 20.5	M4	M6	58.30	
WY3P42-7.5KUL				7.5k	375	319.5	236	180	208	16	12 x 20	M4	M6	81.70	
WY3P42-10KUL				10k	390	339	236	208	180	20	12 x 20	M4	M6	92.00	
WY3P42-15KUL				15k	425	368	260	196	205	20	14 x 40	M4	M6	101.50	

※ 1차, 2차 전압은 주문시 선택

● Dimension



● Terminal



500VA~1kVA : Max 12.6, Min 4
 1.5kVA~7.5kVA : Max 17.2, Min 6
 10kVA~15kVA : Max 18.2, Min 6