

UL TYPE TRANSFORMER

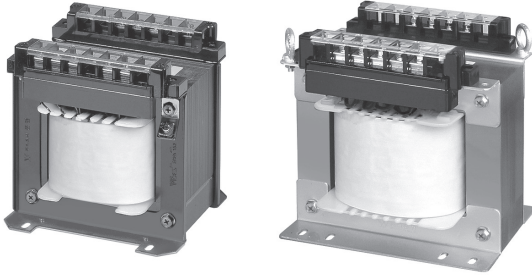
WY21-UL Series WT Type



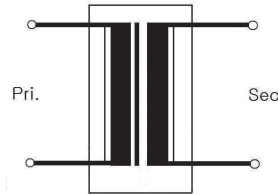
UL 인증

단상 복권형으로 일반 전원 공급용 제품이며 전 규격을 UL, CE 인증 받아 신뢰성과 안전성을 동시에 확보한 제품입니다.

The product, which is a single phase isolation transformer general electric source, has been UL, CE certified for its proven reliability and safety.



• Circuit Diagram



● Standard & Approval

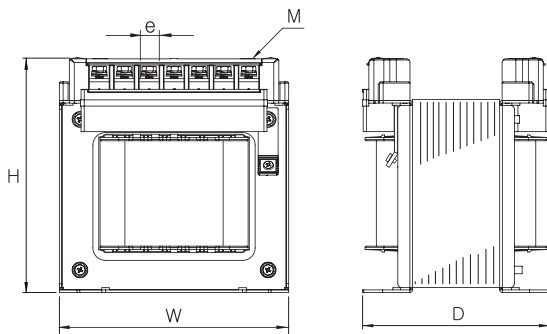
- UL 5085-1/2
- UL 1059(Terminal Block)
- IEC 61558

● Specifications

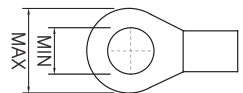
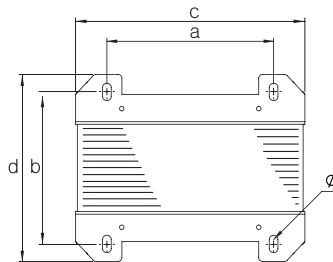
MODEL NO.	TYPE	SPECIFICATIONS		VA	DIMENSIONS (mm)										WEIGHT (kg)
		PRI.(V)	SEC.(V)		W	H	D	a	b	c	d	e	∅	M	
WY21-100UL	WT	①200 ②208 ③220 ④230 ⑤240	①100 ②110 ③115 ④120	100	98,4	105,9	113	72	92	98,4	113	7	6 X12	3,5	3,23
WY21-200UL				200	120	121,5	114	84	95	120	114	10	5,5 X10	4	4,95
WY21-300UL				300	140	136,5	126,2	97,9	106	140	126,2	10	6 X12	4	7,25
WY21-500UL				500	160,2	161,1	146	114	124	160,2	146	10	6 X13	4	10,70
WY21-750UL				750	160,2	161,1	156	114	134	160,2	156	10	6 X13	4	12,30
WY21-1KUL				1K	184	188	150	133,8	122	184	150	10	7 X14	4	16,65
WY21-1,5KUL				1,5K	184	188	170	133,8	142	184	170	16	7 X14	6	20,75
WY21-2KUL				2K	219	226	169	180	135	219	172	16	7 X15	6	26,80
WY21-3KUL				3K	243	247	192	180	165	243	192	16	9 X19	6	40,20
WY21-5KUL				5K	270	269	200	180	170	270	200	16	9 X19	6	54,00

※ 1차, 2차 전압은 주문시 선택

● Dimension



● Terminal



- 100VA : Max 6, Min 3.5
- 200VA~1kVA : Max 9, Min 4
- 1.5~5kVA : Max 15, Min 6
- 7.5kVA : Max 23, Min 6
- 10kVA : Max 25, Min 6