

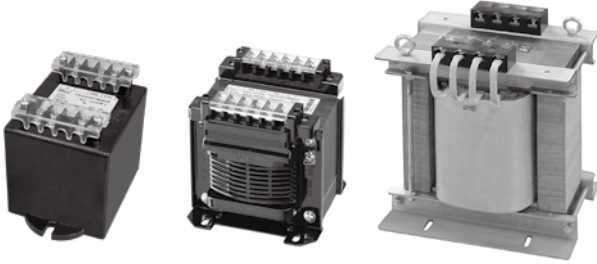
WY21-A Series (복권)



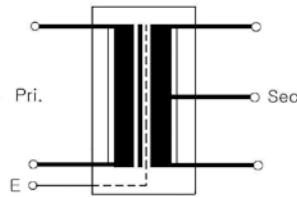
단상 복권형으로 입력은 AC220V 이며 출력은 AC 110V 로 일반 전원 공급용부터 대전력 공급 전원 까지 가능한 제품이며 AC 입력전압 인가시 전원표시 LED가 동작하며 전 규격 CE를 인증 받아 신뢰성과 안전성을 동시에 확보한 제품입니다.

Input voltage of single phase is AC 220V and output is AC 110V. Product is available covering general electric source to large electric power. All models of series have been acquired of

Existing product manufactured by bolt has been manufactured by terminal block with LED type to increase safety of customer and efficiency of wiring.



• Circuit Diagram

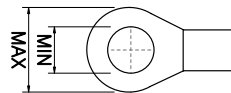


● Specifications

MODEL NO.	TYPE	SPECIFICATIONS		VA	DIMENSIONS (mm)													WEIGHT (kg)
		PRI.(V)	SEC.(V)		W	H	D	a	b	c	d	e	(a.c)Ø1	Ø2	M			
WY21-20AT	WMT	0-200-220-240	0-100-110	20	94	77	61	72	80	37	-	-	-	5 x 7.5	M3	0.75		
WY21-40A	WT	0-200-220-240-(E)	0-100-110	40	79	89	83	42	57	48.5	63	7	Ø3.6	5 x 12	M3.5	1.31		
WY21-60A				60	79	89	88	42	57	53.5	68	7	Ø3.6	5 x 12	M3.5	1.65		
WY21-80A				80	89	98	105	46	65	62	83	7	Ø3.6	5 x 12	M3.5	2.30		
WY21-100A				100	98	106	105	54	72	61	88	7	Ø3.6	6 x 12	M3.5	2.59		
WY21-150A				150	98	106	113	54	72	68	94	7	Ø3.6	6 x 12	M3.5	3.23		
WY21-200A				200	112	114	110	58	76	65.5	88	10	Ø3.6	5 x 10	M4	3.60		
WY21-300A				300	121	122	114	66	84	73	95	10	Ø3.6	5 x 10	M4	4.97		
WY21-500A				500	140	140	126	82	98	79.5	105	10	Ø3.6	6 x 12	M4	7.10		
WY21-750A				750	160	162	146	96	114	92.5	125	10	Ø3.6	6 x 13	M4	10.70		
WY21-1KA				1K	160	160	157	96	114	102.5	135	10	Ø4.3	6 x 14	M4	12.30		
WY21-1.5KA				1.5K	184	188.5	150	110	133.8	95.2	122	16	Ø4.3	7 x 14	M6	16.50		
WY21-2KA				2K	184	188.5	170	110	133.8	115.2	137	16	Ø4.3	7 x 19	M6	20.10		
WY21-3KA				3K	219	226	170	-	120	-	135	16	-	7 x 15	M6	26.70		
WY21-5KA				5K	245	240	192	-	180	-	165	16	-	9 x 19	M6	40.20		
WY21-7.5KA				7.5K	270	270	200	-	180	-	170	16	-	9 x 19	M6	52.00		
WY21-10KA				10K	310	308	212	-	219	-	164	16	-	11 x 30	M6	68.00		
WY21-15KA				15K	310	308	232	-	219	-	184	16	-	11 x 30	M6	94.00		
WY21-20KA				20K	360	377.4	269.6	-	270	-	210.6	16	-	11 x 38	M6	112.30		
WY21-30KA				30K	380	453.3	301.6	-	200	-	226.6	16	-	11 x 41	M6	162.60		
WY21-40KA				40K	480	461	317.6	-	240	-	247.6	20	-	13 x 40	M8	205.00		
WY21-50KA	50K	500	482.5	317.6	-	260	-	247.6	20	-	13 x 40	M8	221.00					

- ※ 3KVA 이상 "I" Bolt 부착 (Attach an "I" bolt for 3KVA or larger)
- ※ 정격용량 : 최대전압(TAP)에서의 용량임.
- ※ Rated capacity : Capacity at the maximum voltage(TAP).

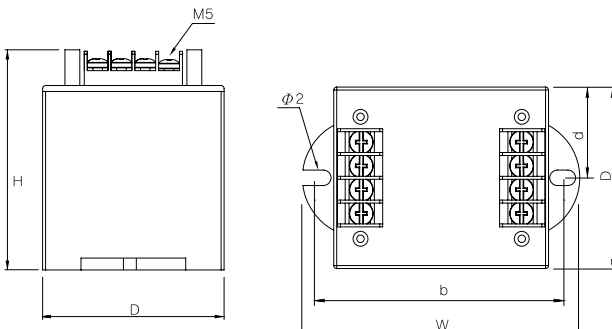
● Terminal



- 40VA~50VA : Max 6, Min 3.5
- 200VA~1kVA : Max 9, Min 4
- 1.5~30kVA : Max 15, Min 6
- 40~30kVA : Max 19, Min 8

● Dimension

• WMT Type



• WT Type

