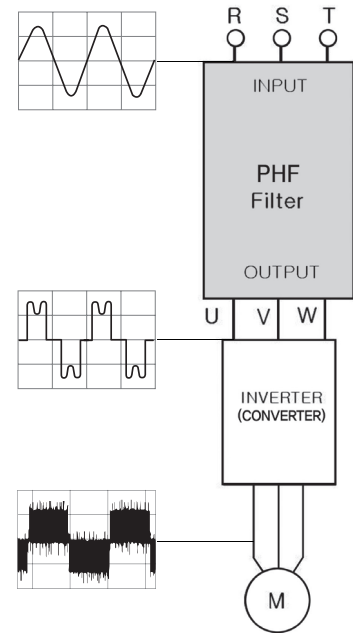


● Specifications

MODEL	용량 (kW)	Rated Currnt (A)	Dimensions(mm)			Weight (kg)	Type
			W	D	H		
WYPHF-90C	90	170	650	600	850	170	B
WYPHF-110C	110	220					
WYPHF-132C	132	250	750	650	850	250	
WYPHF-160C	160	300					
WYPHF-185C	185	309	850	800	1050	330	
WYPHF-220C	220	370					
WYPHF-250C	250	480					

※ Type "B" 제작시 SIZE는 당사와 "반드시 협의" 바랍니다.

● Connection Diagram



● Dimension

B Type

