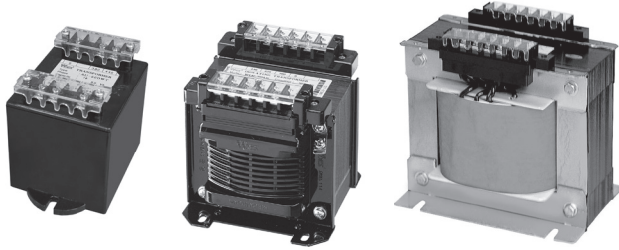
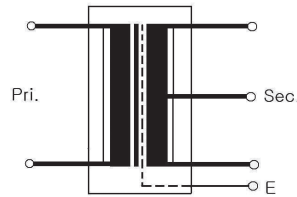


단상 복권형으로 AC 380V, 440V 이며 출력은 AC 110V, 220V 로 소용량부터 대용량까지 규격화 하였으며 CE를 획득하여 품질을 한층 높였습니다. AC 입력 전압 인가시 전원 표시 LED가 동작하여 소비자의 안전성을 고려한 제품입니다.

Input voltage of single phase is AC 380V and 440V and output is AC 110V and 220V. Product is specialized and standardized from small sized to large capacity CE to meet the customer needs with the classification of efficiency of power lamp type.



• Circuit Diagram

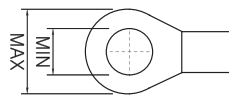


● Specifications

| MODEL NO. | TYPE | SPECIFICATIONS | | VA | DIMENSIONS (mm) | | | | | | | | | | | WEIGHT (kg) | |
|-------------------------------|------|----------------|-------------------|------|-----------------|-------|-----|-----|-------|-------|-----|----|---------|---------|--------|-------------|-------|
| | | PRI.(V) | SEC.(V) | | W | H | D | a | b | c | d | e | (a,c)Ø1 | Ø2 | M | | |
| • 380V, 440V Line → 220V Line | | | | | | | | | | | | | | | | | |
| WY42-20AWT | WMT | 0-380-440 | 0-110-220-(E) | 20 | 94 | 77 | 61 | 72 | 80 | 37 | - | - | - | 5 X 7,5 | M3 | 0,75 | |
| WY42-40AW | WT | 0-380-420-440 | 0-110-200-220-(E) | 40 | 79 | 89 | 83 | 42 | 57 | 48,5 | 63 | 7 | Ø3,6 | 5 X 12 | M3,5 | 1,31 | |
| WY42-60AW | | | | 60 | 79 | 89 | 88 | 42 | 57 | 53,5 | 68 | 7 | Ø3,6 | 5 X 12 | M3,5 | 1,65 | |
| WY42-80AW | | | | 80 | 89 | 98 | 105 | 46 | 65 | 62 | 83 | 7 | Ø3,6 | 5 X 12 | M3,5 | 2,30 | |
| WY42-100AW | | | | 100 | 98 | 106 | 105 | 54 | 72 | 61 | 88 | 7 | Ø3,6 | 6 X 12 | M3,5 | 2,59 | |
| WY42-150AW | | | | 150 | 98 | 106 | 113 | 54 | 72 | 68 | 94 | 7 | Ø3,6 | 6 X 12 | M3,5 | 3,20 | |
| WY42-200AW | | | | 200 | 112 | 114 | 110 | 58 | 76 | 65,5 | 88 | 10 | Ø3,6 | 5 X 10 | M4 | 3,60 | |
| WY42-300AW | | | | 300 | 121 | 122 | 114 | 66 | 84 | 73 | 95 | 10 | Ø3,6 | 5 X 10 | M4 | 4,97 | |
| WY42-500AW | | | | 500 | 140 | 140 | 126 | 82 | 98 | 79,5 | 105 | 10 | Ø3,6 | 6 X 12 | M4 | 7,10 | |
| WY42-750AW | | | | 750 | 160 | 162 | 146 | 96 | 114 | 92,5 | 125 | 10 | Ø3,6 | 6 X 13 | M4 | 10,70 | |
| WY42-1KAW | | | | 1K | 160 | 162 | 156 | 96 | 114 | 102 | 13 | 4 | 16 | Ø4,3 | 7 X 14 | M6 | 12,30 |
| WY42-1,5KAW | | | | 1,5K | 184 | 188,5 | 150 | 110 | 133,8 | 95,2 | 122 | 16 | Ø4,3 | 7 X 14 | M6 | 16,50 | |
| WY42-2KAW | | | | 2K | 184 | 188,5 | 170 | 110 | 133,8 | 115,2 | 137 | 16 | Ø4,3 | 7 X 19 | M6 | 20,10 | |
| WY42-3KAW | | | | 3K | 219 | 220 | 170 | - | 120 | - | 135 | 16 | - | 7 X 15 | M6 | 26,70 | |
| WY42-5KAW | | | | 5K | 245 | 240 | 192 | - | 180 | - | 165 | 16 | - | 9 X 19 | M6 | 40,20 | |
| WY42-7,5KAW | | | | 7,5K | 270 | 270 | 200 | - | 180 | - | 170 | 16 | - | 9 X 19 | M6 | 52,00 | |

※ 3KVA 이상 "I" Bolt 부착 (Attach an "I" bolt for 3KVA or larger)
 ※ 정격용량 : 최대전압(TAP)에서의 용량임.
 ※ Rated capacity : Capacity at the maximum voltage(TAP).

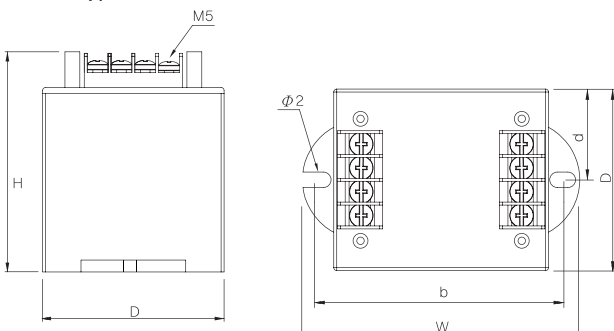
● Terminal



40-50VA : Max 6, Min 3.5
 200VA~1kVA : Max 9, Min 4
 2~7.5kVA : Max 15, Min 6

● Dimension

• WMT Type



• WT Type

