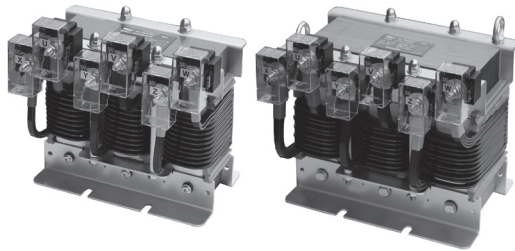


# SMART REACTOR

## AC INPUT REACTOR 인버터 전단용 (Standing Type ACR)



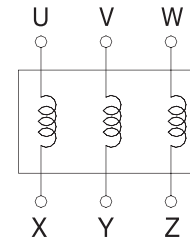
30kW ~ 45kW

55kW ~ 90kW

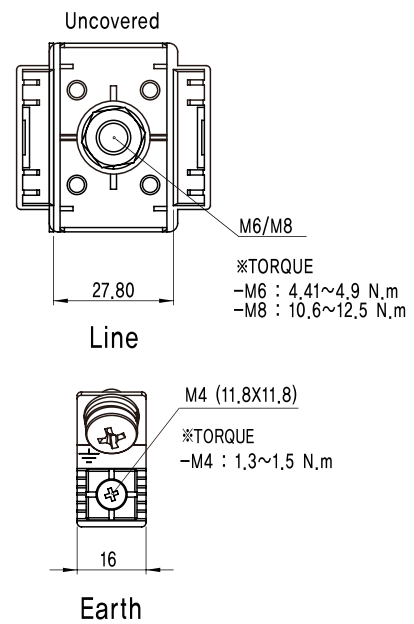
### Specifications

Phase	3 $\Phi$	
Frequency	50/60 Hz	
Insulation Class	H	
Cooling	Natural cooling AN	
Limited temp, rinsing	120 k	
Overload capability	1,6x rated current for 1 minute, once per hour	
Pollution degree	PD3	
Protection category	IP00	
Operating Temp. & Hum.	-20 ~ 40°C & 0~80% (Non-Condensing)	
Storage Temp. & Hum.	-20 ~ 50°C & 0~80% (Non-Condensing)	
Dielectric withstand voltage	Between each terminal & body (3,0kVAC for 1min.)	
Insulation Resistance	Min. 100M $\Omega$ , at 500VDC Megger	
Related Standard	IEC 61558-1	Safety of power transformers, power supplies, reactors and similar products - Part 1 : General Requirements and tests
	IEC 61558-2-20	Safety of transformers, reactors, power supplies units and combination thereof - Part 2-20 : Particular requirements and tests for small reactors

### Circuit Diagram



### Terminal



### Standing Type

220V (Impedance Voltage : 4% 220VAC, 60Hz)

MODEL	용량(kW)	정격전류 (A)	인덕턴스 (mH)	Dimensions(mm)								Weight (kg)
				W	H	D	W1	D1	$\Phi$ 1	M	E	
WYACR2-30S	30	134	0.101	259	216	199	80	131	9x17.7	M8	M4	17
WYACR2-37S	37	164	0.082	259	231	200	80	131	9x17.7	M8	M4	18
WYACR2-45S	45	200	0.067	259	231	200	80	131	9x17.7	M8	M4	19

380V~440V (Impedance Voltage : 4% 400VAC, 60Hz)

MODEL	용량(kW)	정격전류 (A)	인덕턴스 (mH)	Dimensions(mm)								Weight (kg)
				W	H	D	W1	D1	$\Phi$ 1	M	E	
WYACR4-30S	30	67	0.366	259	220	199	80	131	9x17.7	M6	M4	17
WYACR4-37S	37	82	0.299	259	241	199	80	131	9x17.7	M6	M4	18
WYACR4-45S	45	100	0.245	259	241	199	80	131	9x17.7	M8	M4	19
WYACR4-55S	55	121	0.203	298	241	230	95	160	11x17	M8	M4	28
WYACR4-75S	75	167	0.147	298	261	230	95	160	11x17	M8	M4	29
WYACR4-90S	90	201	0.122	298	261	230	95	160	11x17	M8	M4	30

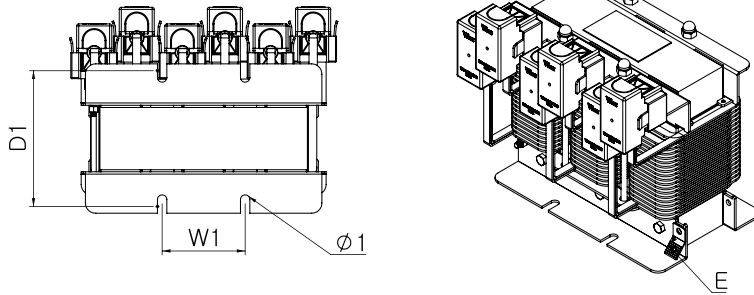
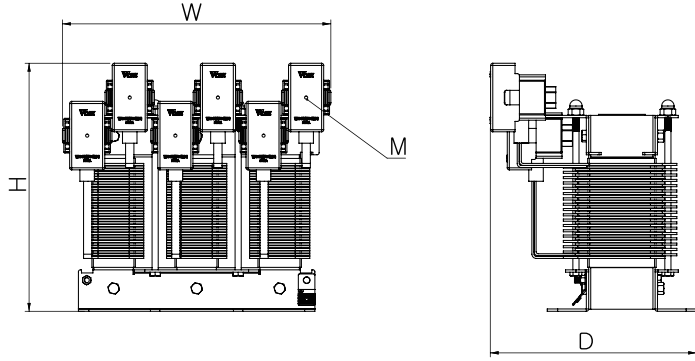
# SMART REACTOR

AC INPUT REACTOR 인버터 전단용 (Standing Type ACR)

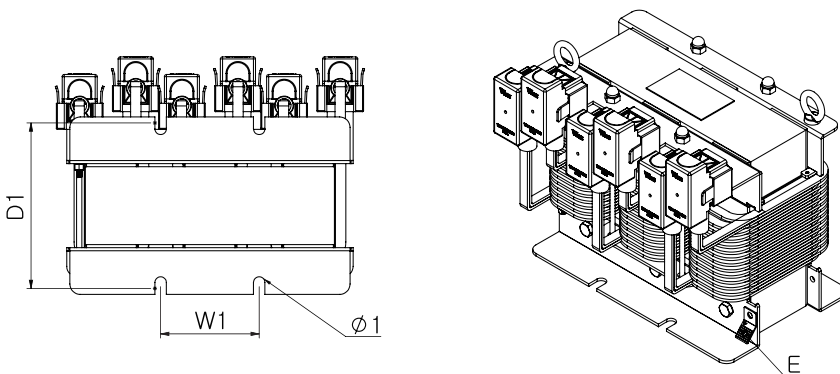
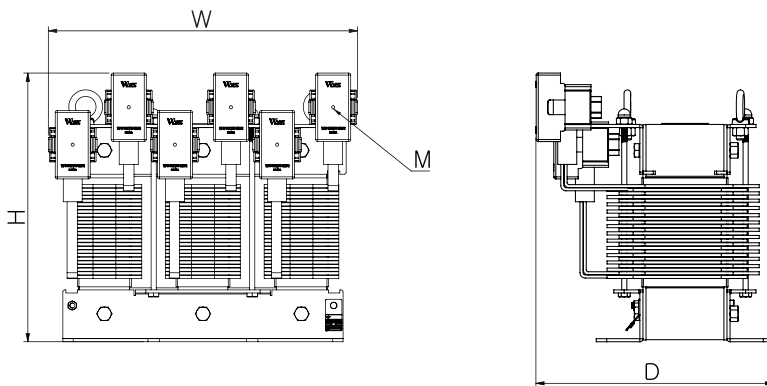
CE RoHS

● Dimension

Standing Type 30~45kW



Standing Type 55~90kW (I-bolt M8)



노이즈컷트렌스  
NCT

리액터  
REACTOR

트랜스포머  
TRANS.

중성점필터  
AHF

수동형필터  
PHF

마이크로서지필터  
MSF

사인웨이브필터  
SWF

영상고조파필터  
ZHF