

Over, Under & Ground Over Voltage Relay [59/27/64]

OVR+UVR+OVGR



● Feature

- Fault Memory : Operating Current, Operating Time
- Element : OVR×3/UVR×3/OVGR×1
- Time Curve : Normal Inverse, Definite Time
- Communication : RS-485 (Modbus Protocol)
- Aux. Power : AC/DC(110~240V) Free Voltage

● Specifications

TYPE	WYR-OV4DC			
Element [ANSI Code]	OVR(59)×3/UVR(27)×3/OVGR(64)×1			
Standard	IEC 60255, KEMC1120, KEPCO			
Rated Voltage	AC110V, AC110/√3			
Aux. Power	AC/DC 110~240V(Free Voltage DC110/220V/5W), 50,60Hz			
Function	OVR	Over Voltage	LOCK, 90V~160V (2.5V Step), Accuracy:±5% of Set Value	
	UVR	Under Voltage	LOCK, 50V~110V (2.5V Step), Accuracy:±5% of Set Value	
	OVGR	Over Voltage(Inverse 한시)	LOCK, 10V~100V (2.5V Step), Accuracy:±5% of Set Value	
		Over Voltage(Instant. 순시)	LOCK, 100V~190V (2.5V Step), Accuracy:±5% of Set Value	
	Time Lever		0.1~20 (0.1 Step)Accuracy:±5% of Set Value	
	Operating Time	Inverse time Curve		NI(Normal inverse time), DT(Definite time)
		Inst. Time	O,UVR	None
Reset	Auto,		OVGR	GRI(Ground Relay Instantaneous) :<40mS of Set Value LCD-Menu Set : Unlock(ON), Lock(OFF)
	Contact	Trip Relay	UVR	Reset Value : >95%
Fault Relay		OVGR	Reset Value : <105%	
Thermal Withstand Capability	Continuous 10A (2 Times of Rated Current)			
	10s 100A (20 Times of Rated Current)			
	1s 200A (40 Times of Rated Current)			
Insulation Resistance	DC500V Megger : >100MΩ (IEC 600255-5)			
Dielectric Withstand	AC2kVfor 1 minute (IEC 600255-5)			
Impulse Voltage Withstand	5kV- 1,2/50μs (IEC 600255-5)			
Burden	OVR/UVR/OVGR :<0,5VA			
Shock Resistance	Approx. 30G 3Times Each in 3 Directions			
Vibration Resistance	30Hz 0,4mm Double Amplitude 600s Each in X,Y and Z Directions			
Operating Temperature	-10~55℃			
Storage Temperature	-20~70℃			
Degree Protection	IP52			
LCD Display	LCD(4×20): 3Phase Current, Time Curve, Line Current, Fault Memory, CPU Version-up Display			
Indicator LED	Power, RUN, Operating Start, Instantaneous Fault, Over Current Fault			
Communication	RS-485 Modbus Protocol (Baud Rate: 9600/19200/38400bps)			
Key(Button)	Reset, Enter, Setting, Memory Check			
Size(W×H×D)	200×115×160(mm)			
Weight	1,2kg			

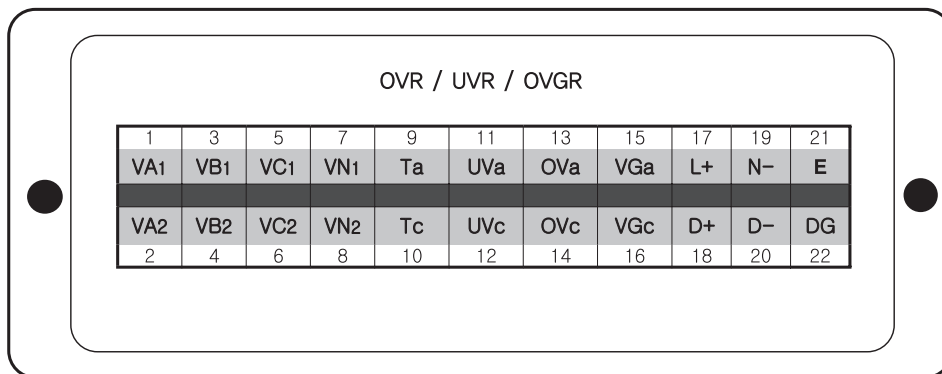
● Name of Part



● Fault Indicator (LED)

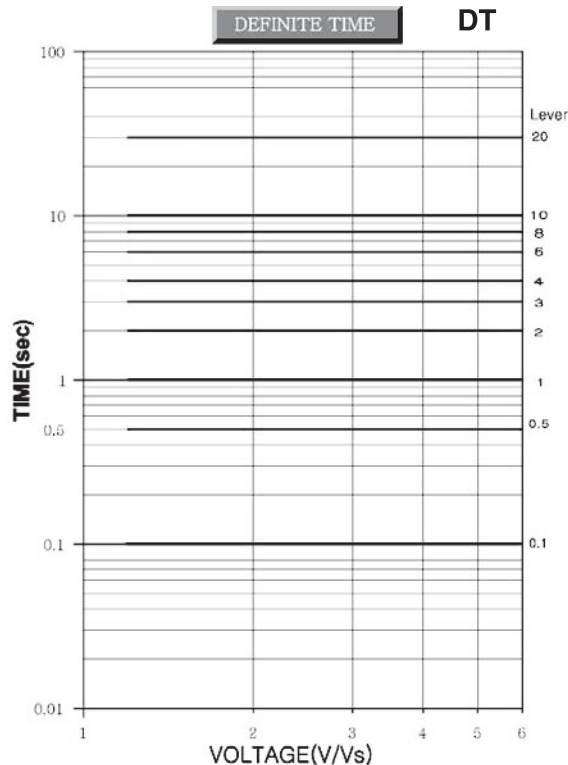
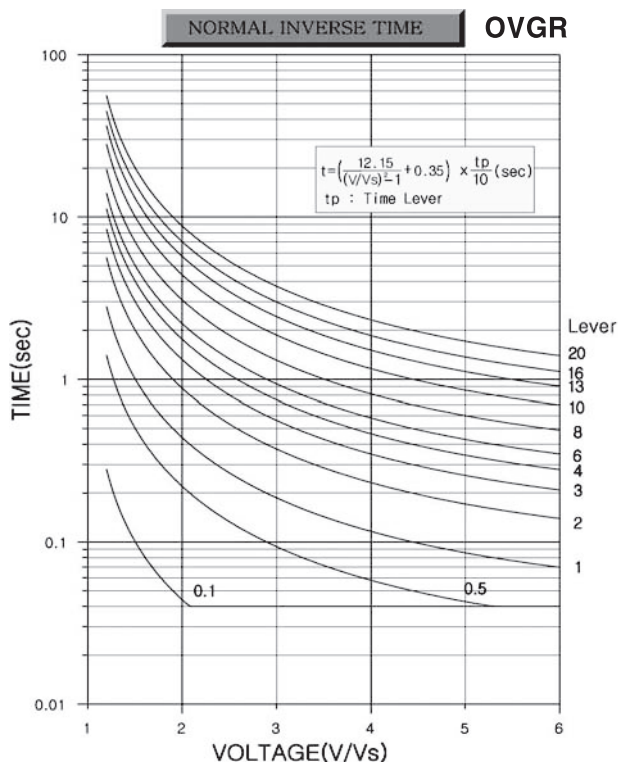
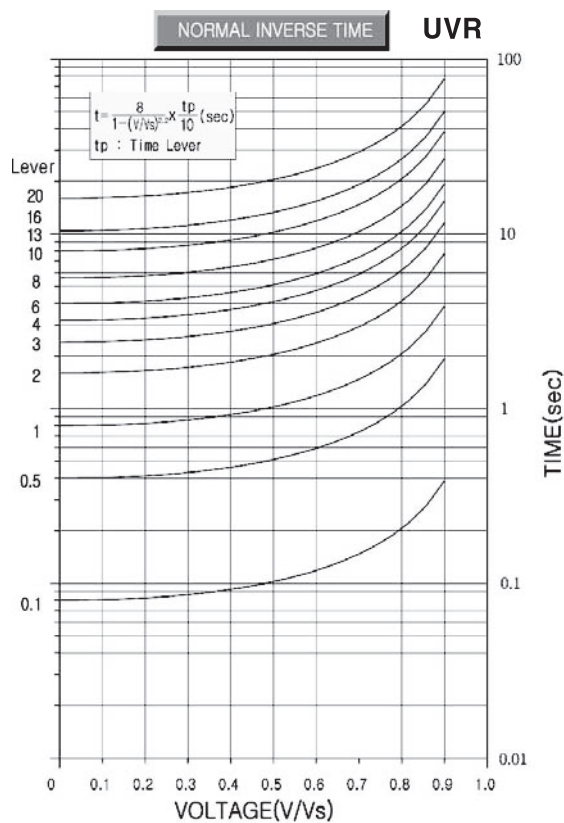
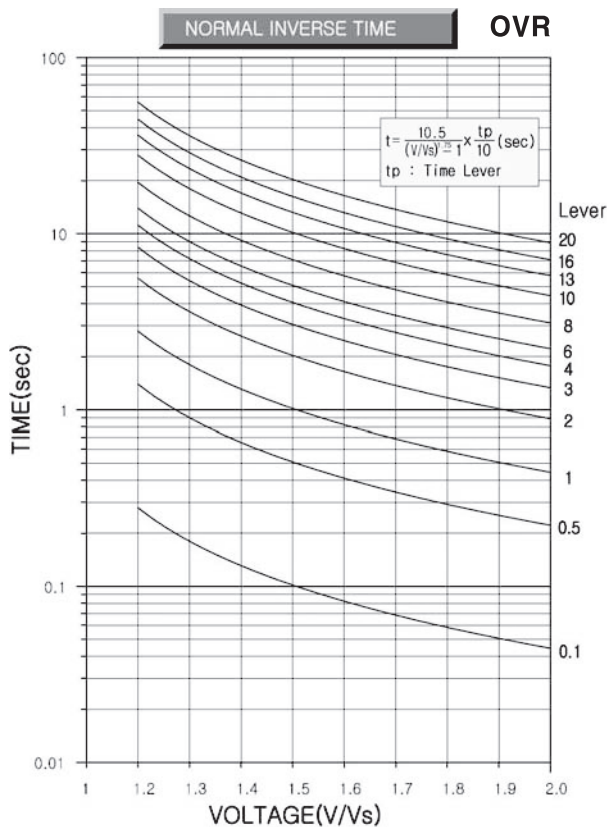
Element		Fault Indicator(LED Lamp)			
Part	Phase	O C			
		A(R)	B(S)	C(T)	N
Over Voltage	A-B	■	■		
	B-C		■	■	
	C-A	■		■	
	A-B-C	■	■	■	
Under Voltage	A-B	■	■		
	B-C		■	■	
	C-A	■		■	
	A-B-C	■	■	■	
Ground Over Voltage	N				■

● Terminal arrangement



- VA2 : A(R) Phase · VB1/VB2 : B(S) Phase · VC1/VC2 : C(T) Phase · OVc : OVR-Trip Contact · UVa/UVc : UVR-Trip Contact
- VGa/VGc : OVGR-Trip Contact Ta/Tc : Main C,B-Trip Contact · L(+)/N(-) : Aux. Power Input(AC/DC) · D(+)/D(-) : RS-485 (Comm.)
- DG : Digital Ground · E : Earth (\perp)

● Operating Characteristics Curves



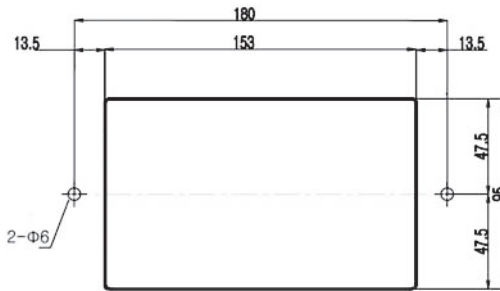
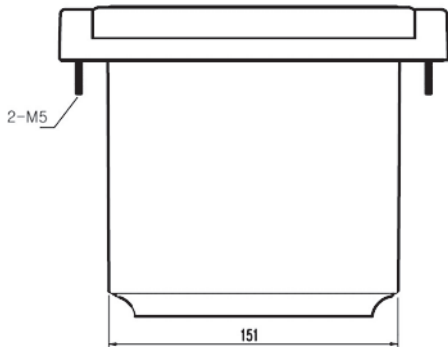
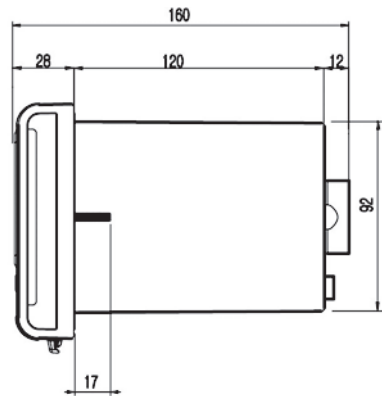
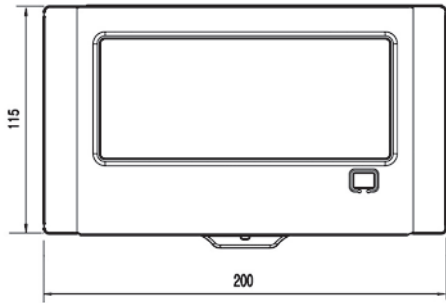
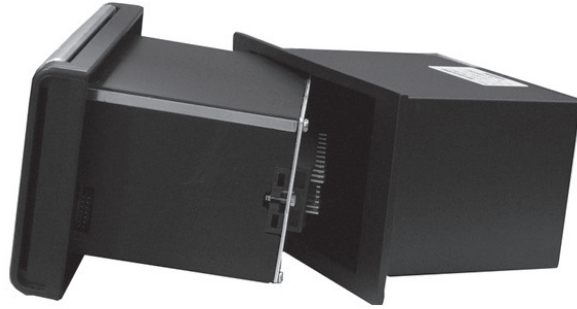
※ I: Operating Current(2nd) Is: Setting Current(2nd) tp: Time Lever

Dimension

● Dimension



Draw Out Type



Panel Cut - out

T
R
A
N
S

트
랜
스
포
머

N
O
I
S
E

노
이즈
컷
트
랜
스

S
S
R

무
접
점
릴
레이

T
P
R

전
력
조
정
기

S
M
P
S

스
밍
플
램

N
/
F

노
이즈
필터

H
/
F

고
조
파
필터

S
P
D

서
지
보
호
기

R
E
L
A
Y

보
호
계
전
기

E
L
D

누
전
경
보
기

G
F
R

지
락
계
전
기

Z
C
T

영
상
변
류
기

M
E
T
E
R

지
시
전
기
계
기

C
T
/
V
T

계
기
용
변
성
기

F
A
N

팬