

3-PHASE PHASE SEQUENCE DETECTOR

3Ø Phase Sequence Detector and Relay



● 특징

이 제품은 500V까지 3상의 각상이 올바른지 위상을 감지하는 표시기로 3상 위상이 정상이면 녹색(GREEN) LAMP가 점등되고 위상이 바뀌면 적색(RED) LAMP가 점등되어 정상 상태의 위상을 판별 표시 및 동작 출력 Relay가 부착된 위상 판별기입니다.

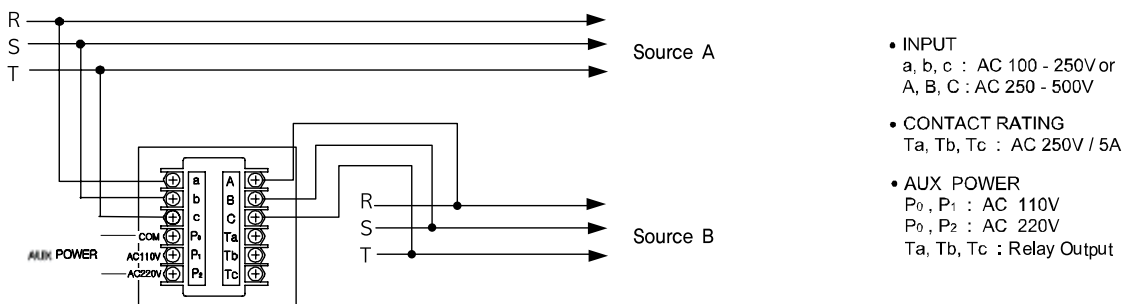
● Feature

This indicator is up to 500V three-phase sensing on each phase are correct. If phase sequence is correct, green lamp will be lit, otherwise red lamp glows. This indicator is with a relay and can display that phase sequence is correct or not.

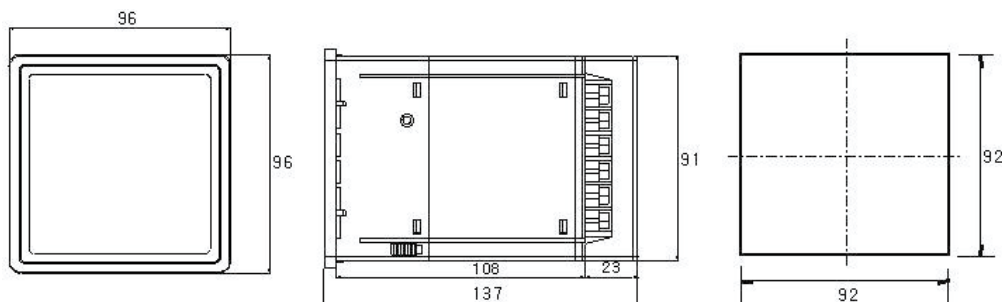
● Specifications

Part	3-Phase Phase Sequence Detector and Relay
Type	WYMT-SH96PSDR
Voltage	AC100~500V
Frequency	50/60Hz
Input Aux. Power	AC100~250V : a, b, c (Terminal) AC250 ~ 500V : A, B, C (Terminal) Burden : 3VA 10%
Normal	Green LED : R → S → T, S → T → R, T → R → S
Reverse	Red LED : S → R → T, T → S → R, R → T → S
Temperature	Operating Temperature -10 ~ 55°C RH < 95% Storage Temperature -20 ~ +70°C
Vibration Shock	Vibration Frequency : 16.7Hz , Double Amplitude : 0.4mm, Direction : Horizontal, Vertical, Transverse Shock Acceleration : 50G Shock Application Direction : Horizontal, Vertical, Transverse Shock Time : 3 Times
Weight	0.5kg

● Connection Diagram



● Dimension (WYMT-SH96PSD, WYMT-SH96PSDR, WYMT-SH96SLU)





● Dimension

· WY-R Type Dimension

(Unit = mm)

Front view																														
Rear view		<table border="1"> <thead> <tr> <th>Type</th> <th>W</th> <th>H</th> <th>D</th> <th>A</th> <th>B</th> <th>C</th> <th>E</th> <th>Ø</th> </tr> </thead> <tbody> <tr> <td>WY-R08</td> <td>80</td> <td>80</td> <td>36</td> <td>15</td> <td>34</td> <td>30</td> <td>64</td> <td>65</td> </tr> <tr> <td>WY-R10</td> <td>100</td> <td>80</td> <td>36</td> <td>15</td> <td>36</td> <td>28</td> <td>80</td> <td>65</td> </tr> </tbody> </table>	Type	W	H	D	A	B	C	E	Ø	WY-R08	80	80	36	15	34	30	64	65	WY-R10	100	80	36	15	36	28	80	65	
Type	W	H	D	A	B	C	E	Ø																						
WY-R08	80	80	36	15	34	30	64	65																						
WY-R10	100	80	36	15	36	28	80	65																						

· WY-R Type Dimension

Front view																														
Rear view		<table border="1"> <thead> <tr> <th>Type</th> <th>W</th> <th>H</th> <th>D</th> <th>A</th> <th>B</th> <th>C</th> <th>E</th> <th>Ø</th> </tr> </thead> <tbody> <tr> <td>WY-R05</td> <td>51</td> <td>51</td> <td>35</td> <td>14</td> <td>18</td> <td>18</td> <td>36</td> <td>44</td> </tr> <tr> <td>WY-R06</td> <td>60</td> <td>60</td> <td>35</td> <td>14</td> <td>24</td> <td>24</td> <td>48</td> <td>54</td> </tr> </tbody> </table>	Type	W	H	D	A	B	C	E	Ø	WY-R05	51	51	35	14	18	18	36	44	WY-R06	60	60	35	14	24	24	48	54	
Type	W	H	D	A	B	C	E	Ø																						
WY-R05	51	51	35	14	18	18	36	44																						
WY-R06	60	60	35	14	24	24	48	54																						

· WY-S Type Dimension

(Unit = mm)

Front view																																							
Rear view		<table border="1"> <thead> <tr> <th>Type</th> <th>W</th> <th>H</th> <th>D</th> <th>A</th> <th>B</th> <th>C</th> <th>X</th> <th>Y</th> </tr> </thead> <tbody> <tr> <td>WY-S47</td> <td>48</td> <td>48</td> <td>44</td> <td>5</td> <td>44</td> <td>12</td> <td>44,5</td> <td>44,5</td> </tr> <tr> <td>WY-S72</td> <td>72</td> <td>72</td> <td>67</td> <td>5</td> <td>44</td> <td>22</td> <td>68</td> <td>68</td> </tr> <tr> <td>WY-S96, SH96</td> <td>96</td> <td>96</td> <td>91</td> <td>5</td> <td>44</td> <td>22</td> <td>92</td> <td>92</td> </tr> </tbody> </table>	Type	W	H	D	A	B	C	X	Y	WY-S47	48	48	44	5	44	12	44,5	44,5	WY-S72	72	72	67	5	44	22	68	68	WY-S96, SH96	96	96	91	5	44	22	92	92	
Type	W	H	D	A	B	C	X	Y																															
WY-S47	48	48	44	5	44	12	44,5	44,5																															
WY-S72	72	72	67	5	44	22	68	68																															
WY-S96, SH96	96	96	91	5	44	22	92	92																															

· Mounting Introduction

WY-S47, WY-S96	WY-S72		WY-SH96	

TRANS

노이즈컷트렌스

무선접합릴레이

전력조정기

스마트파워

노이즈필터

고조파필터

서지보호기

보호계전기

누전경보기

지락계전기

영상변류기

지시전기계기

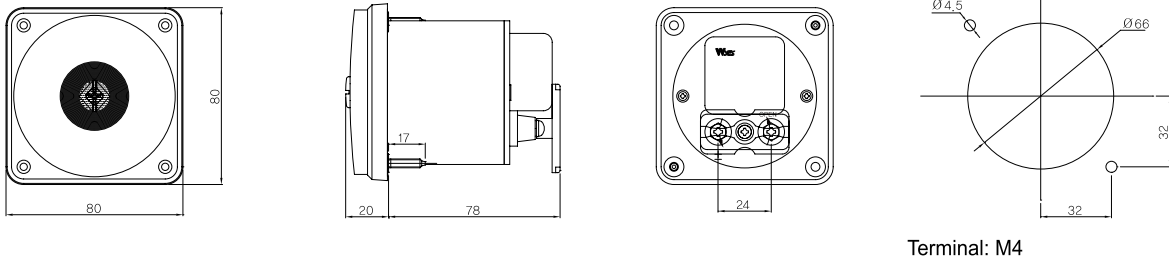
계기용변성기

FAN



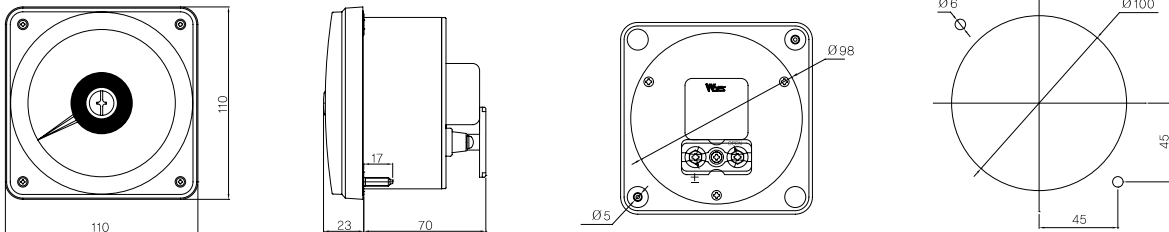
● Dimension

· WY-W08 Type Dimension



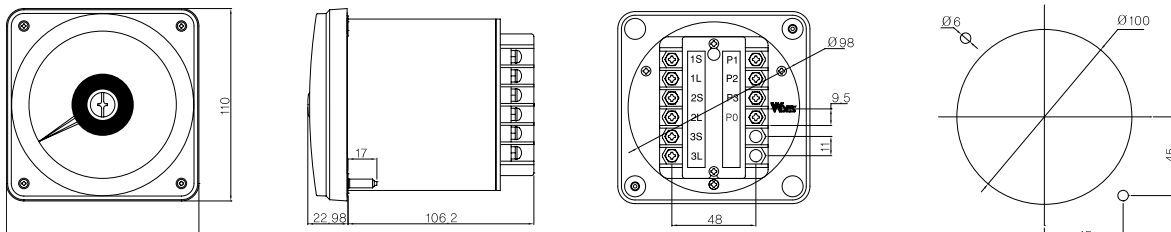
Terminal: M4

· WY-W11 A, V Type Dimension



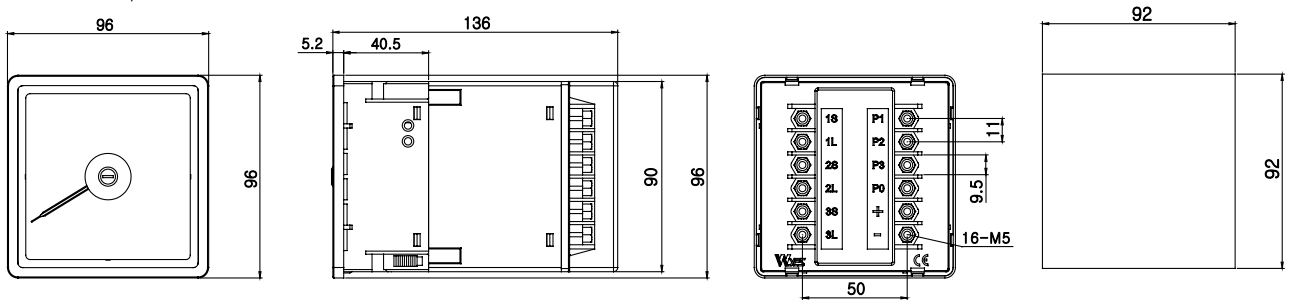
Terminal: M4

· WY-W11 KW, var, PF Type Dimension



Terminal: M4

· WY-SH96 KW, var PF Dimension



● 외부 변환기 사용

R, S, W08 타입의 Watt, var, Hz PF 계측기는 외부에 우측과 같은 변환기 (T/D) 를 사용합니다.

● External Transducers (For meter)

The Transducer for meter is used with the Watt, var and PF meter, etc., of the R type and S type or W08 type which is external transducer.

