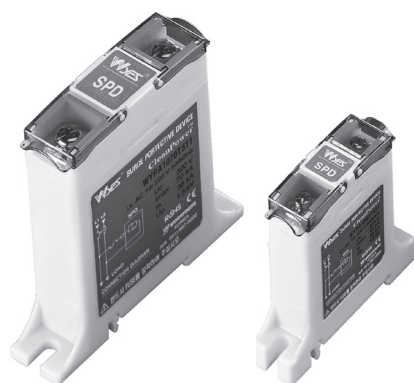
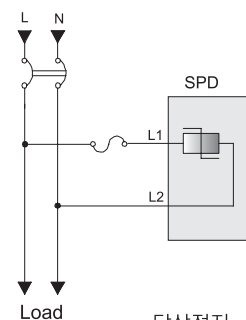


Surge Protective Device (SPD)

단상 일반형(1P2W) 110, 220, 380, 440V General type 2~70kA series



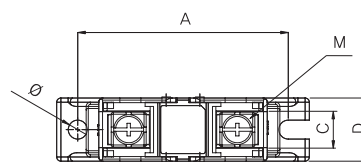
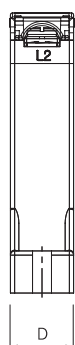
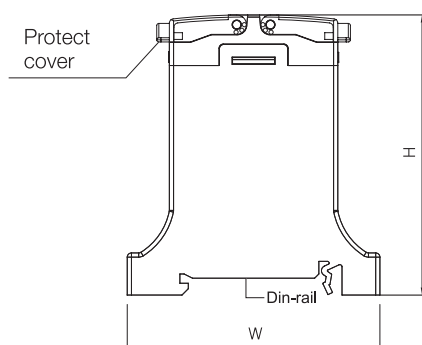
● Connection


 단상접지
(1 phase earthed type)

● Specification

Model	Nominal voltage (Un)	Max. continuous operating voltage (Uc)	Max. discharge current (Imax)	Nominal discharge current (In)	Voltage protection level (Up)	Dimension	Weight (kg)
WYPA1002T012	DC12V	DC14V	2kA	1kA	<28V	A	0.04
WYPA1003T024	DC24V	DC45V	3kA	1.5kA	<64V		
WYPA1010T110	AC110V	AC130V	10kA	5kA	<1.5kV		
WYPA1010T220	AC220V	AC300V					
WYPA1010T380	AC380V	AC510V					
WYPA1010T440	AC440V	AC625V					
WYPA1015T110	AC110V	AC130V	15kA	7.5kA			
WYPA1015T220	AC220V	AC300V					
WYPA1015T380	AC380V	AC510V					
WYPA1015T440	AC440V	AC625V					
WYPA1025T110	AC110V	AC130V	25kA	12.5kA			
WYPA1025T220	AC220V	AC300V					
WYPA1025T380	AC380V	AC510V					
WYPA1025T440	AC440V	AC625V					
WYPA1040T110	AC110V	AC130V	40kA	20kA			
WYPA1040T220	AC220V	AC300V					
WYPA1040T380	AC380V	AC510V					
WYPA1040T440	AC440V	AC625V					
WYPA1070T110	AC110V	AC130V	70kA	35kA	B	0.07	
WYPA1070T220	AC220V	AC300V					
WYPA1070T380	AC380V	AC510V					
WYPA1070T440	AC440V	AC625V					

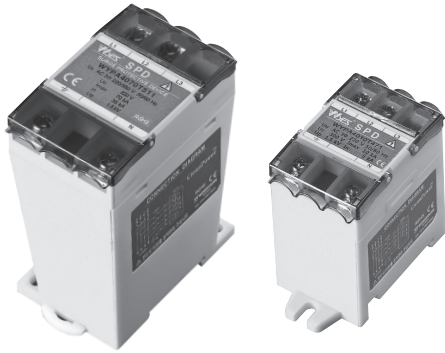
● Dimension



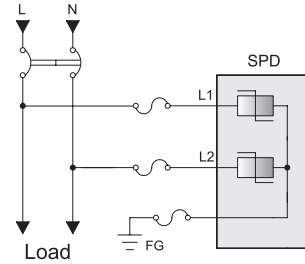
Type	W	D	H	A	C	M	Ø
A	60	15	66.5	50	8.5	M3.5	4.5
B	90	20	91.5	75	13	M5	5.5

Surge Protective Device (SPD)

단상접지 일반형(1P2W) 220, 380, 440V General type 10~70kA series



● Connection

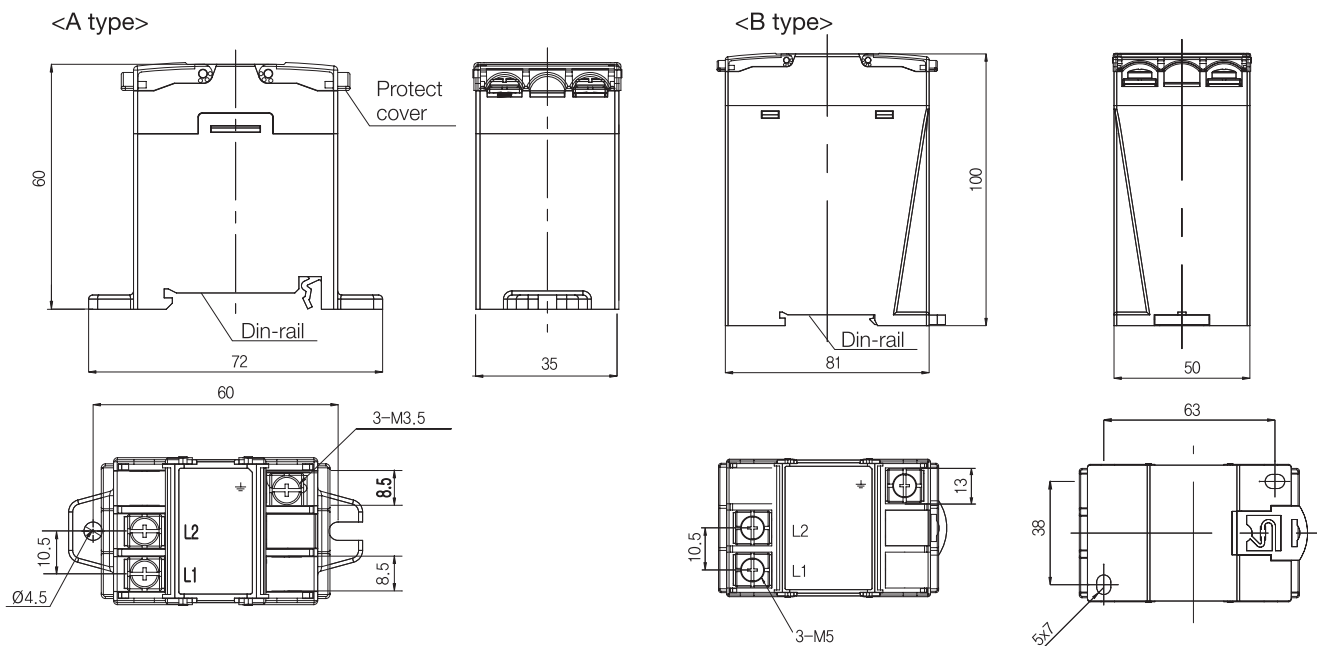


단상접지
(1 phase earthed type)

● Specification

Model	Nominal voltage (Un)	Max. continuous operating voltage (Uc)	Max. discharge current (Imax)	Nominal discharge current (In)	Voltage protection level (Up)	Dimension	Weight (kg)	
WYPA2010T220	AC220V	AC300V	10kA	5kA	<1.5kV	A	0.1	
WYPA2010T380	AC380V	AC510V						
WYPA2010T440	AC440V	AC625V						
WYPA2015T220	AC220V	AC275V	15kA	7.5kA			B	0.2
WYPA2015T380	AC380V	AC510V						
WYPA2015T440	AC440V	AC625V						
WYPA2025T220	AC220V	AC275V	25kA	12.5kA		B		0.3
WYPA2025T380	AC380V	AC510V						
WYPA2025T440	AC440V	AC625V						
WYPA2040T220	AC220V	AC275V	40kA	20kA			B	0.4
WYPA2040T380	AC380V	AC510V						
WYPA2040T440	AC440V	AC625V						
WYPA2070T220	AC220V	AC320V	70kA	35kA	B	0.5		
WYPA2070T380	AC380V	AC510V						
WYPA2070T440	AC440V	AC625V						

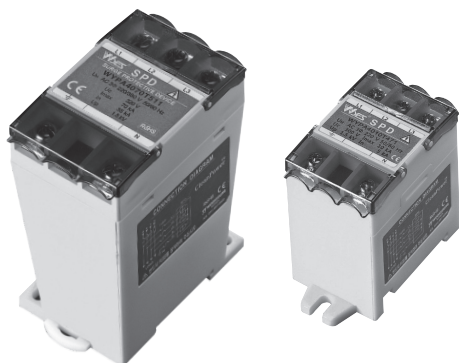
● Dimension



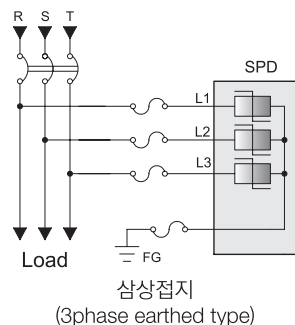
트랜스포머
노이즈컷트랜스
무선접점릴레이
전력조정기
스위칭파워
노이즈필터
고조파필터
서지보호기
보호계전기
누전경보기
지락계전기
영상변류기
지시전기계기
계기용변성기
팬

Surge Protective Device (SPD)

삼상접지 일반형(3P3W) 220, 380, 440V General type 10~70kA series



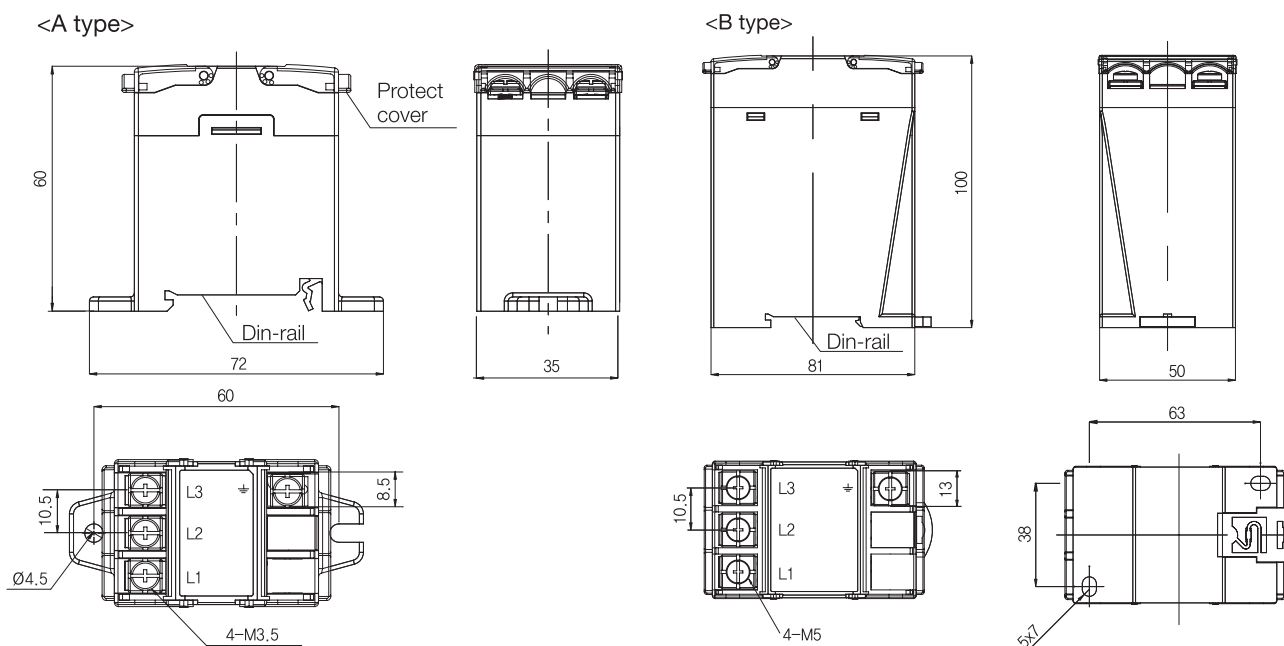
● Connection



● Specification

Model	Nominal voltage (Un)	Max. continuous operating voltage (Uc)	Max. discharge current (Imax)	Nominal discharge current (In)	Voltage protection level (Up)	Dimension	Weight (kg)
WYPA3010T220	AC220V	AC300V	10kA	5kA	<1.5kV	A	0.3
WYPA3010T380	AC380V	AC510V					
WYPA3010T440	AC440V	AC625V					
WYPA3015T220	AC220V	AC275V	15kA	7.5kA			
WYPA3015T380	AC380V	AC510V					
WYPA3015T440	AC440V	AC625V					
WYPA3025T220	AC220V	AC275V	25kA	12.5kA		B	0.4
WYPA3025T380	AC380V	AC510V					
WYPA3025T440	AC440V	AC625V					
WYPA3040T220	AC220V	AC275V	40kA	20kA			
WYPA3040T380	AC380V	AC510V					
WYPA3040T440	AC440V	AC625V					
WYPA3070T220	AC220V	AC320V	70kA	35kA	0.5		
WYPA3070T380	AC380V	AC510V					
WYPA3070T440	AC440V	AC625V					

● Dimension



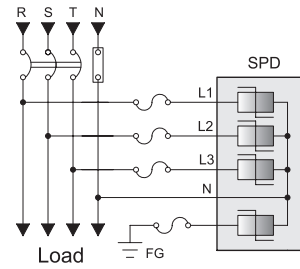
Surge Protective Device (SPD)

서지 낙뢰 보호기

삼상N접지 일반형(3P4W) 380/220V General type 10~70kA series



● Connection



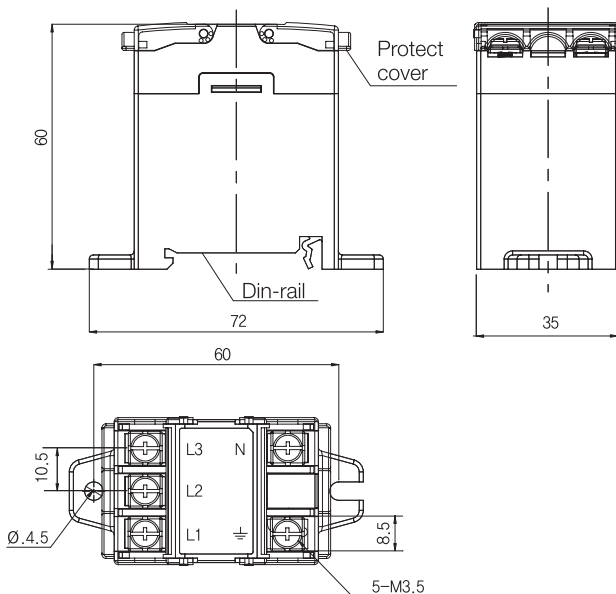
삼상N접지
(3phase N-earthed type)

● Specification

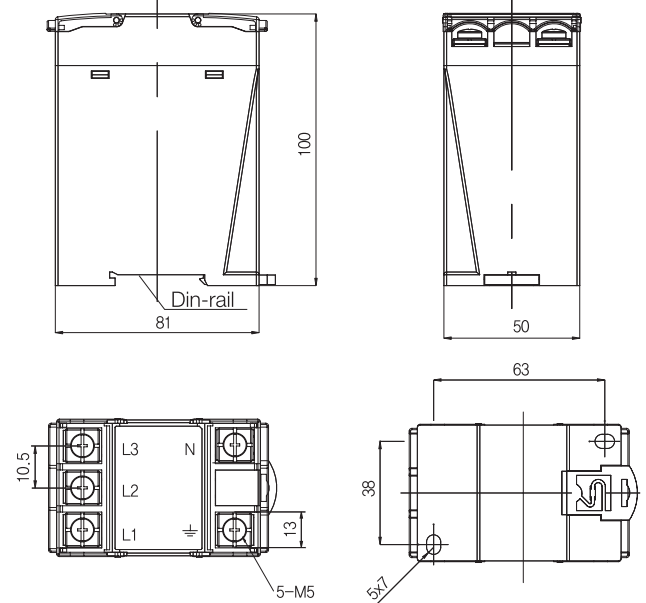
Model	Nominal voltage (Un)	Max. continuous operating voltage (Uc)	Max. discharge current (Imax)	Nominal discharge current (In)	Voltage protection level (Up)	Dimension	Weight (kg)
WYPA4010T380	AC380/220V	AC600/300V	10kA	5kA	<1.5kV	A	0.5
WYPA4015T380	AC380/220V	AC550/275V	15kA	7.5kA		B	0.8
WYPA4025T380	AC380/220V	AC550/275V	25kA	12.5kA			
WYPA4040T380	AC380/220V	AC550/275V	40kA	20kA			
WYPA4070T380	AC380/220V	AC640/320V	70kA	35kA			

● Dimension

<A type>



<B type>



TRANS

NOCT

SSR

TPR

SMP

N/F

H/F

SPD

RELA

ELD

GFR

ZCT

METER

CT/VT

FAN