

POST BUSBAR TYPE (부스바 관통형) CURRENT TRANSFORMER

3.6~7.2kV (50~1200A / 40kA)

W07CPA



EPOXY RESIN CASTING CURRENT TRANSFORMERS for highest voltage of equipment up to 7.2kV

W07CPA 변류기는 최고 회로전압 7.2kV급 절연성능으로 설계되어진 옥내용 에폭시몰드 제품으로 그 이하 전압(3.6kV) 제품에 대해서는 동일한 치수(DIMENSION)를 가진다. 본 제품은 설치공간이 협소한 고압배전반에 매우 적합한 제품이다. 또한 1core 및 2 core의 단일 비 또는 다중 비 형태의 제품으로 설계 및 제작이 가능합니다.

The W07CPA current transformer is an indoor epoxy resin cast product designed in a maximum circuit voltage 7.2kV-class insulation performance, and the less voltage(3.6kV) product has the same dimensions. This product is very suitable for standard switchboards installed in a narrow space. In addition, this can be designed and fabricated in a single or multiple ratio type such as 1 core and 2 cores.

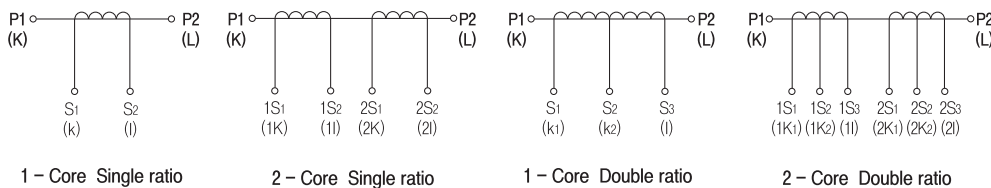
● Feature

규격 Standard	IEC - IEEE - KS
설계 및 적용 Design and Application	계기 및 보호용 Designed for measuring and/or protection
사용조건 Service condition	옥내 Valid for indoor service
작업공정 Working process	- 자동진공주형방식 Automatic vacuum casting method - APG방식 Automatic Pressure Gelation method

● Electrical characteristic

ITEM	MODEL	
	W07CPA	
Highest voltage for equipment (Um)	3.6kV	7.2kV
Rated power-frequency withstand voltage (60sec)	10kV	20kV
Rated lighting impulse withstand voltage (1.2/50 μ s)/full wave	40kV	60kV
Rated frequency	50 / 60Hz	
Rated primary current(Ipr)	50 to 1200A	
Rated secondary current(Isr)	5 or 1A	
Rated continuous thermal current	120%	
Rated short-time thermal current Ith (1sec)	40kA	
Rated dynamic current Idyn (2.5 \times Ith)	100kA	
Insulation class (according to 60085)	E	
Standard	According to customer requirements	
Weight (approx.)	20kg	

● Connection Diagram



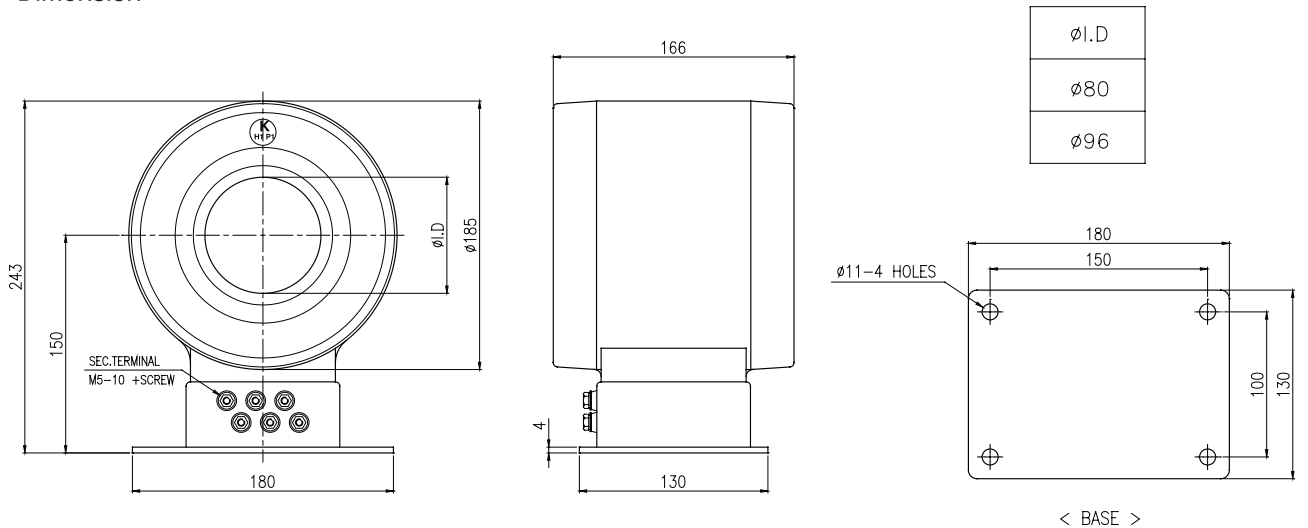
POST BUSBAR TYPE (부스바 관통형) CURRENT TRANSFORMER

3.6~7.2kV (50~1200A / 40kA)

● Specification

ITEM	Rated short time current	Service	Current Ratio	IEC 61869-2			IEEE C57.13			KSC 1706		
				Burden	Accuracy Class	Over Current Factor	Burden	Accuracy Class	Over Current Factor	Burden	Accuracy Class	Over Current Factor
07C-PA	40kA	Metering	150/5A	15VA	3.0	-	12.5VA(B-0.5)	2.4	-	15VA	3.0	-
			200/5A	15VA	1.0	-	12.5VA(B-0.5)	1.2	-	15VA	1.0	-
			300/5A	30VA	1.0	-	22.5VA(B-0.9)	1.2	-	30VA	1.0	-
			400/5A~1200/5A	40VA	1.0	-	45VA(B-1.8)	1.2	-	40VA	1.0	-
		Protection	50/5A~75/5A	5VA	10P	5	2.5VA	C-10	-	-	-	-
			100/5A~150/5A	15VA	10P	5	5VA	C-20	-	15VA	3P	n)5
			200/5A	15VA	5P,10P	10	7.5VA	C-30	-	15VA	1P	n)10
			250/5A~300/5A	15VA	5P,10P	20	12.5VA	C-50	-	15VA	1P	n)20
			400/5A~600/5A	30VA	5P,10P	10	25VA	C-100	-	40VA	1P	n)10
			750/5A~1000/5A	30VA	5P,10P	20	25VA	C-100	-	40VA	1P	n)20
1200/5A	30VA	5P,10P	20	50VA	C-200	-	40VA	1P	n)20			

● Dimension



HV / C T
고압변류기

HV / VT · MOF
고압변압기

LV / C T
저압변류기

LV / VT
저압변압기

RELA Y
보호계전기

E L D
누전경보기

G F R
지락계전기

Z C T
영상변류기

M E T E R
지시전계기

S H U N T
셔트