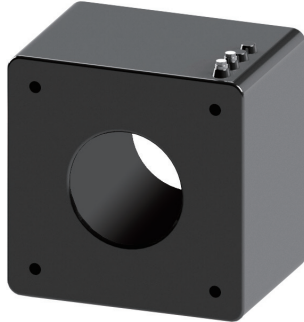


0.72kV (100~4000A / 25kA)

## W01CBF



## EPOXY RESIN CURRENT TRANSFORMERS

### ● Feature

- 규격(Standard) : IEC – IEEE
- 설계 및 적용(Design and Application)
  - 계기 및 보호용(Designed for measuring and protection)
- 사용조건(Service condition) : 옥내(Valid for indoor service)
- FREQUENCY : 50/60Hz
- INSULATION CLASS : 0.72kV
- INSULATION : Epoxy Mold

### ● Standard Specification

Current Ratio	Relay Class	Metering Class				
		B-0.1	B-0.2	B-0.5	B-0.9	B-1.8
50/5A	C-20	2.4	4.8	-	-	-
75/5A	C-30	1.2	2.4	4.8	4.8	-
100/5A	C-50	0.6	1.2	2.4	4.8	4.8
150/5A	C-50	0.6	0.6	1.2	2.4	4.8
200/5A	C-100	0.3	0.6	1.2	1.2	2.4
300/5A	C-100	0.3	0.3	0.6	0.6	1.2
400/5A	C-200	0.3	0.3	0.3	0.3	0.6
500/5A	C-200	0.3	0.3	0.3	0.3	0.6
600/5A	C-200	0.3	0.3	0.3	0.3	0.3
800/5A	C-400	0.3	0.3	0.3	0.3	0.3
1000/5A	C-400	0.3	0.3	0.3	0.3	0.3
1200/5A	C-400	0.3	0.3	0.3	0.3	0.3
1500/5A	C-400	0.3	0.3	0.3	0.3	0.3
2000/5A	C-400	0.3	0.3	0.3	0.3	0.3
2500/5A	C-400	0.3	0.3	0.3	0.3	0.3
3000/5A	C-400	0.3	0.3	0.3	0.3	0.3
4000/5A	C-400	0.3	0.3	0.3	0.3	0.3
5000/5A	C-400	0.3	0.3	0.3	0.3	0.3

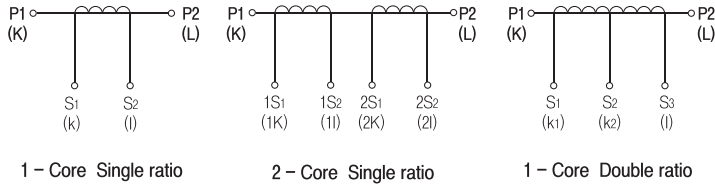
# BUSHING TYPE (B.C.T) CURRENT TRANSFORMER



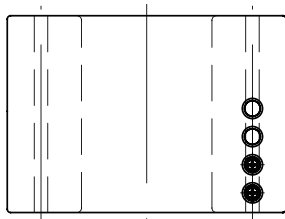
고압계기용변성기

0.72kV (100~4000A / 25kA)

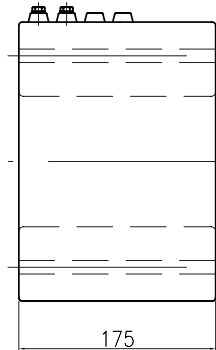
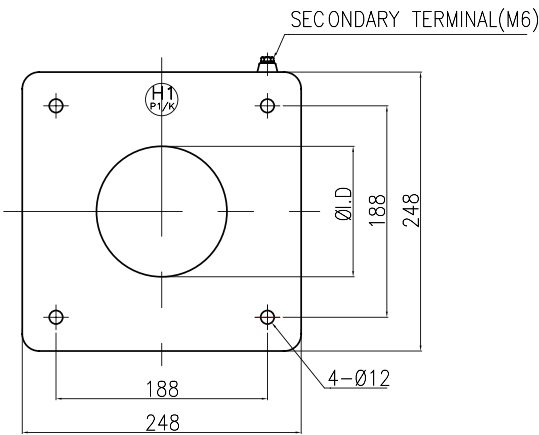
## ● Connection Diagram



## ● Dimension



Ø1.D
Ø65
Ø96
Ø116
Ø134
Ø154



HV / C T  
고압변류기

HV / VT : MOF  
고압변압기

LV / C T  
저압변류기

LV / VT  
저압변압기

RELA Y  
보호계전기

E L D  
누전경보기

G F R  
지락계전기

Z C T  
영상변류기

M E T E R  
지시계전기

S P D  
서지보호기

S H U N T  
선타