

EARTHED TYPE (계기용변압기 / 접지형) VOLTAGE TRANSFORMER (EVT)

24(25.8)kV (0~200VA)

W24V1DA



EPOXY RESIN CASTING VOLTAGE TRANSFORMERS for highest voltage of equipment up to 25.8kV

W24V1H 변압기는 최고회로전압 24kV급 절연성능으로 설계되어진 옥내용 에폭시몰드 제품으로 그 이하 전압(12kV, 17.5kV) 제품에 대해서는 동일한 치수(DIMENSION)를 가진다. 안정적인 절연능력 및 전기적 특성을 갖으며, 기계적 안전성과 유지보수의 용이성이 우수한 제품이다. 또한 단일 또는 다중 탭을 갖는 제품으로 설계 가능하다.

The W24V1H voltage transformer is an indoor epoxy resin cast product designed in a maximum circuit voltage 24kV-class insulation performance, and has the same dimensions for the less voltage (12kV, 17.5kV) product. This has a stable insulation capacity and electrical property, has excellent mechanical safety, and is easy to maintain. It is also possible to design products with single or multiple taps.

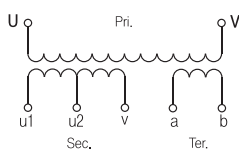
● Feature

규격 Standard	ES-5950-0005
설계 및 적용 Design and Application	- 계기 및 보호용 Designed for measuring and/ or protection - For GIS
사용조건 Service condition	옥내 Valid for indoor service
작업공정 Working process	- 진공주형방식 Vacuum casting method

● Electrical characteristic

ITEM	MODEL	W24V1DA
Highest voltage for equipment (Um)		25.8kV
Rated power-frequency withstand voltage (60sec)		70kV
Rated lightning impulse withstand voltage (1,2/50μs)full wave		150kV
Rated frequency		60Hz, others on request
Rated Primary Voltage		13200V
Rated Secondary Voltage		110V, 110/√3 V, 190/√3 V
Rated Voltage factor		1,2Cont, 1,5/30s
Insulation class (according to IEC 60085)		E
Standard		ES-5950-0005
Weight (approx.)		30kg

● Connection Diagram



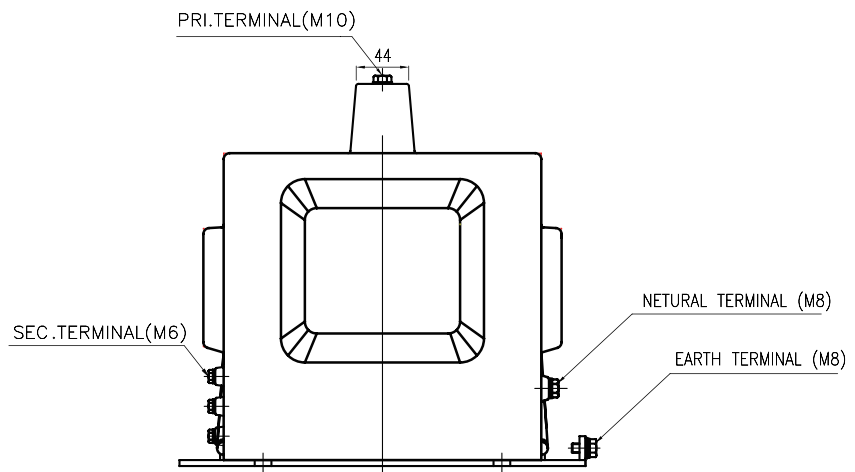
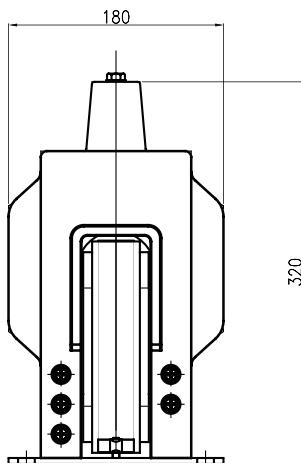
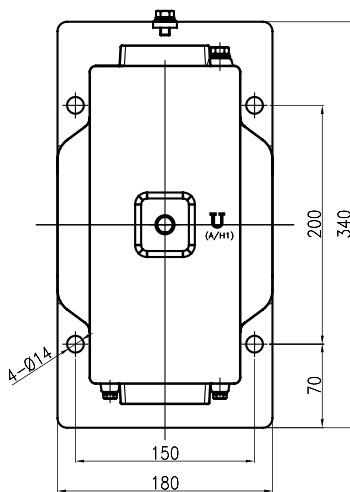
EARTHED TYPE (계기용변압기 / 접지형) VOLTAGE TRANSFORMER (EVT)

24(25.8)kV (0~200VA)

● Specification

Highest voltage for equipment (Um)	Voltage Ratio (V)	ES-5950-0005		
		Voltage Factor	Accuracy Class	Burden (VA)
25.8kV	13200V/110 - 110/√3/190/3V	1.2Cont. 1.5/30s	1.0	200
			3P	200

● Dimension



HV / CT
고압 변류기

HV / VT - MOF
고압 변압기

LV / CT
저압 변류기

LV / VT
저압 변압기

RELA
보호 계전기

ELD
누전경보기

GFR
지락 계전기

ZCT
영상 변류기

METER
지시 전기 계기

SPD
서지 보호기

SHUNT
설투