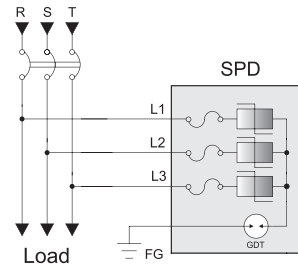


태양광
ESS



● Connection

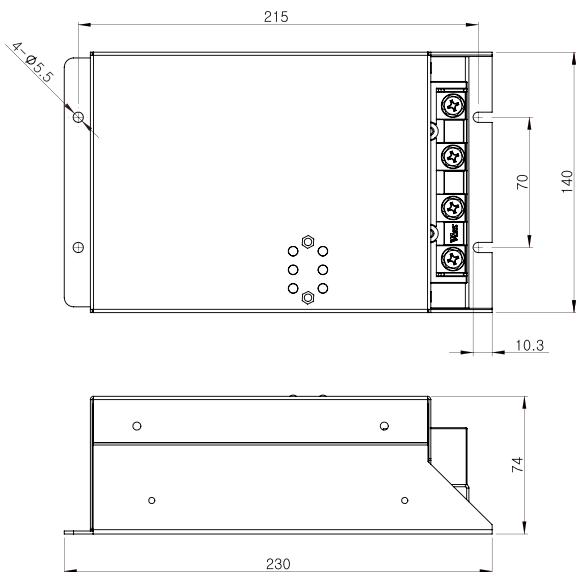


삼상접지
(3phase earthed type)

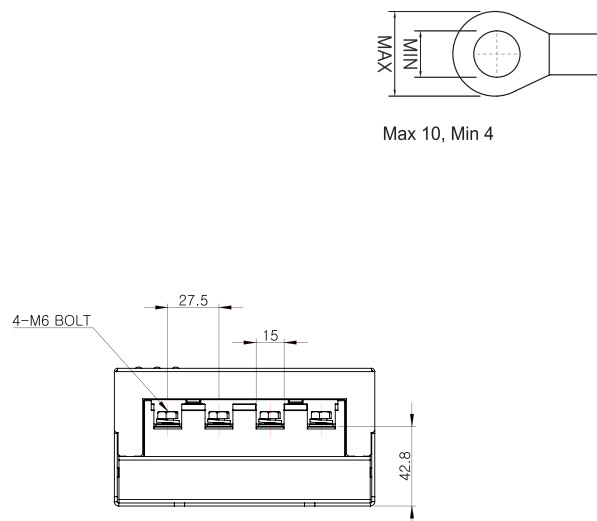
● Specification

ITEM	MODEL	WYPD3125T380	WYPD3125T440
Nominal voltage (Un)		Three phase 380VAC	Three phase 440VAC
Max. continuous operating voltage (Uc)		L-L : 560VAC, L-PE : 900VAC	L-L : 650VAC, L-PE : 900VAC
Voltage protection level (Up)		<2.5kV@20kV/10kA (IEC61643-1)	<2.5kV@20kV/10kA (IEC61643-1)
Rated frequency (Fo)		50/60Hz	
Max. impulse current (Iimp 10/350μs)		12.5kA	
Short-circuit Current Rating I (sCCR)		25kA	
Protection level		Class I	
Protection mode		L-L, L-PE	
Operating temperature range		-40~90°C	
Operating Humidity		35~85%RH	
Storage temperature range		-40~125°C	
Fuse		Thermal runaway fuse	
Connection type		Terminal type	
Connection mode		Parallel connection type / Wall Mounting	
Wire size for connections		16mm ²	
Response time		< 25 nano second	
Indicator LED	Green	Power lamp	
	Red	Fuse off at lamp on (이상시 램프'on')	
Weight (kg)		2.3	

● Dimension



● Terminal



HV/CT
고압변류기

HV/VT-MOF
고압변압기

LV/CT
저압변류기

LV/VT
저압변압기

RELAY
보호계전기

LED
누전경보기

GFR
지락계전기

ZCT
영상변류기

METER
지시전기계기

SPD
서지보호기

SHUNT
셔스트