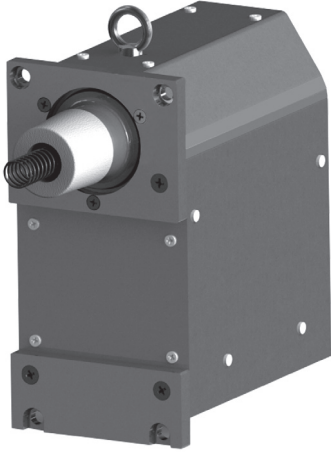


EARTHED TYPE (계기용변압기 / 접지형) VOLTAGE TRANSFORMER (EVT)

24(25.8)kV (0~200VA)

W24V1H



EPOXY RESIN CASTING VOLTAGE TRANSFORMERS for highest voltage of equipment up to 24kV

W24V1H 변압기는 최고회로전압 24kV급 절연성능으로 설계되어진 옥내용 에폭시몰드 제품으로 그 이하 전압(12kV, 17.5kV) 제품에 대해서는 동일한 치수(DIMENSION)를 가진다. 안정적인 절연능력 및 전기적 특성을 갖으며, 기계적 안전성과 유지보수의 용이성이 우수한 제품이다. 또한 단일 또는 다중 탭을 갖는 제품으로 설계 가능하다.

The W24V1H voltage transformer is an indoor epoxy resin cast product designed in a maximum circuit voltage 24kV-class insulation performance, and has the same dimensions for the less voltage (12kV, 17.5kV) product. This has a stable insulation capacity and electrical property, has excellent mechanical safety, and is easy to maintain. It is also possible to design products with single or multiple taps.

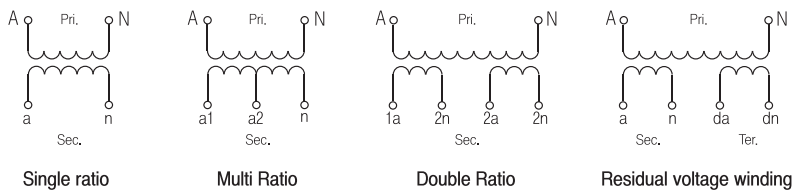
● Feature

규격 Standard	IEC - IEEE - KS etc.
설계 및 적용 Design and Application	- 계기 및 보호용 Designed for measuring and/or protection - For GIS
사용조건 Service condition	옥내 Valid for indoor service
작업공정 Working process	진공주형방식 Vacuum casting method

● Electrical characteristic

ITEM	MODEL		
	W24V1H		
Highest voltage for equipment (Um)	12kV	17.5kV	24kV
Rated power-frequency withstand voltage (60sec)	28kV	38kV	50kV
Rated lighting impulse withstand voltage (1.2/50μs)full wave	75kV	95kV	125kV
Rated frequency	50Hz, 60Hz, others on request		
Rated Primary Voltage	13800V/√3V, 22000/√3V, 22900/√3V		
Rated Secondary Voltage	110/√3V, 190/√3V		
Rated Voltage factor	1.2Cont, 1.5/30s		
Thermal Limit Burden	600VA		
Insulation class (according to IEC 60085)	E		
Standard	According to customer requirements		
Temperature Category	According to customer requirements		
Weight (approx.)	25kg		

● Connection Diagram



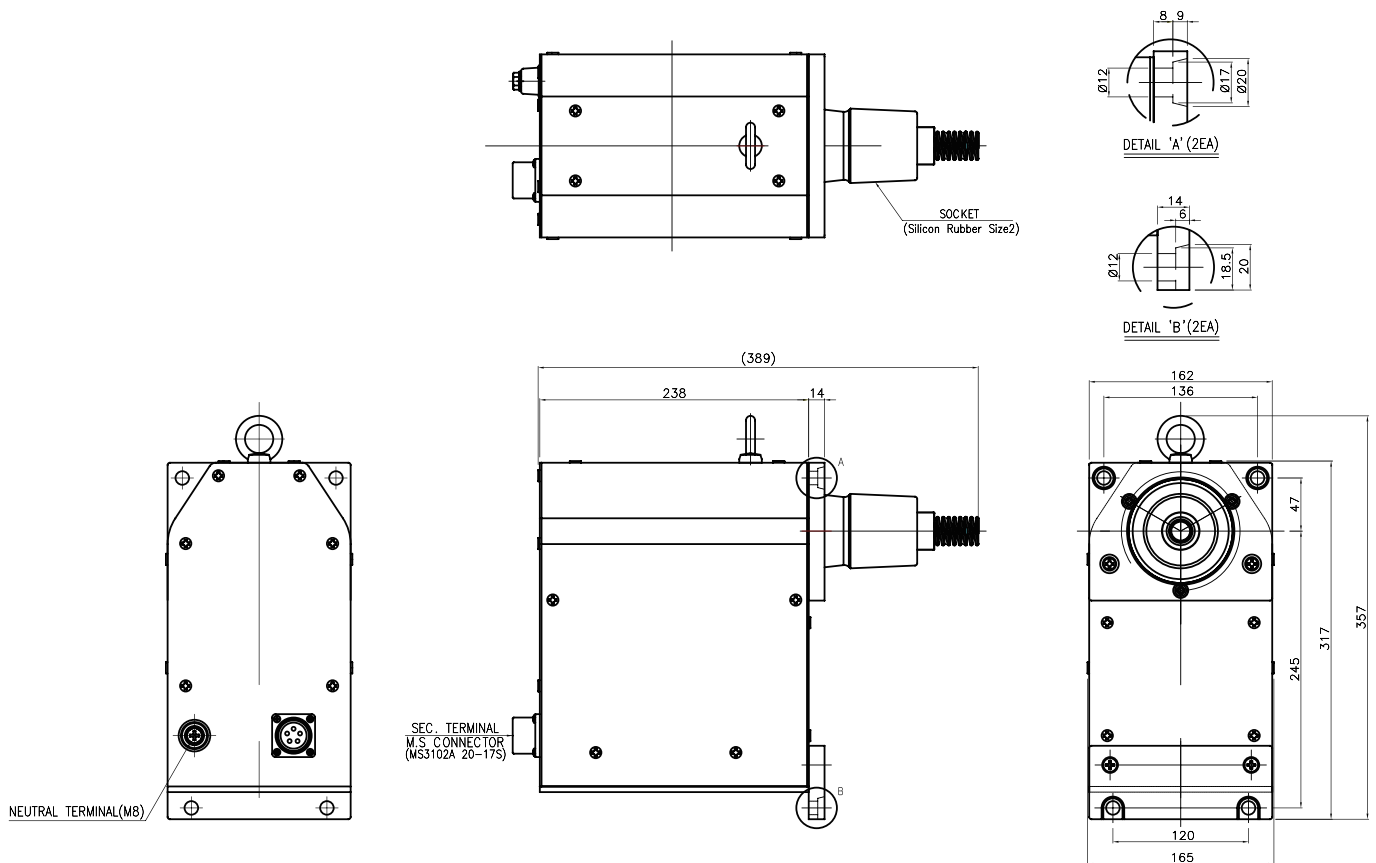
EARTHED TYPE (계기용변압기 / 접지형) VOLTAGE TRANSFORMER (EVT)

24(25.8)kV (0~200VA)

● Specification

Highest voltage for equipment (Um)	Voltage Ratio (V)	IEC 61869-3		
		Voltage Factor	Accuracy Class	Burden (VA)
24kV	$\frac{22900}{\sqrt{3}} / \frac{110}{\sqrt{3}} \left(\frac{190}{3} \right) V$	1.2cont 1.5/30s	0.5	50
			1.0	100
				200

● Dimension



HV / CT
고압변류기

HV / VT · MOF
고압변압기

LV / CT
저압변류기

LV / VT
저압변압기

RELA
보호계전기

ELD
누전경보기

GFR
지락계전기

ZCT
영상변류기

METER
지시계기

SPD
서지보호기

SHUNT
센트