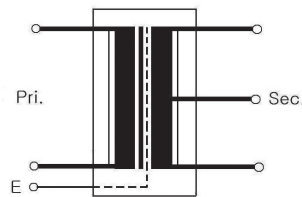




단상 복권형으로 입력 전압 AC 110V/220V 출력은 전압 전류별로 규격화 하여 소비자의 선택이 용이하게 되었으며, AC입력전원 인가시 LED가 동작되어 안전성은 물론이고 15V 시리즈부터~26V 시리즈까지 전규격 **CE**인증을 획득하여 신뢰성까지 확보한 제품입니다.

Input voltage of this transformer are 110/220 V as single phase isolation transformer and output is standardized by voltage and current. also, turn on LED lamp at apply input voltage for safe handling and all models acquire **CE** standard from 15V series to 26V series for define to reliability.

• Circuit Diagram



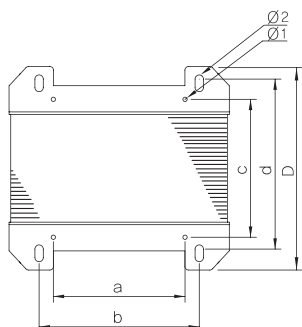
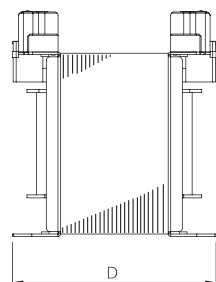
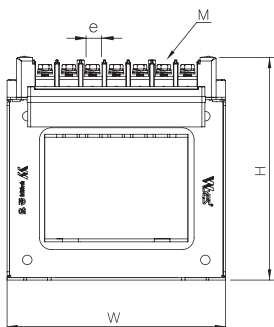
● Specifications

MODEL NO.	TYPE	SPECIFICATIONS		VA	A	DIMENSIONS (mm)											WEIGHT (kg)
		PRI.(V)	SEC.(V)			W	H	D	a	b	c	d	e	(a,c)Ø1	Ø2	M	
• 15V SERIES																	
WYTB-1540AP	WT	0-110-200-220-(E)	0-6-9-12-15	40	2.5	79	89	83	42	57	48.5	63	7	Ø3.6	5 X12	M3.5	1.31
WYTB-1560AP				60	4	79	89	88	42	57	53.5	68	7	Ø3.6	5 X12	M3.5	1.65
WYTB-1580AP				80	5	89	98	105	46	65	62	83	7	Ø3.6	5 X12	M3.5	2.30
WYTB-15100AP				100	7	98	106	105	54	72	61	88	7	Ø3.6	6 X12	M3.5	2.59
WYTB-15150AP				150	10	98	106	113	54	72	68	94	7	Ø3.6	6 X12	M3.5	3.23
WYTB-15200AP				200	13	112	114	110	58	76	65.5	88	10	Ø3.6	5 X10	M4	3.60
WYTB-15300AP				300	20	121	122	114	66	84	73	95	10	Ø3.6	5 X10	M4	4.97
• 26V SERIES																	
WYTB-2640AP	WT	0-110-200-220-(E)	0-12-18-22-24-26	40	1.5	79	89	83	42	57	48.5	63	7	Ø3.6	5 X12	M3.5	1.31
WYTB-2660AP				60	2	79	89	88	42	57	53.5	68	7	Ø3.6	5 X12	M3.5	1.65
WYTB-2680AP				80	3	89	98	105	46	65	62	83	7	Ø3.6	5 X12	M3.5	2.30
WYTB-26100AP				100	4	98	106	105	54	72	61	88	7	Ø3.6	6 X12	M3.5	2.59
WYTB-26150AP				150	6	98	106	113	54	72	68	94	7	Ø3.6	6 X12	M3.5	3.23
WYTB-26200AP				200	8	112	114	110	58	76	65.5	88	10	Ø3.6	5 X10	M4	3.60
WYTB-26300AP				300	11	121	122	114	66	84	73	95	10	Ø3.6	5 X10	M4	4.97
WYTB-26500AP			500	20	140	140	126	82	98	79.5	105	10	Ø3.6	6 X12	M4	7.10	
WYTB-26750AP			750	30	160	162	146	96	114	92.5	125	10	Ø3.6	6 X13	M4	10.70	
WYTB-261KAP			1K	40	160	160	157	96	114	102.5	135	10	Ø3.6	6 X14	M4	12.30	
WYTB-261.5KAP			1.5K	60	185	188	151	110	134	95	123	16	Ø3.6	7 X14	M6	17.00	
WYTB-262KAP			2K	80	185	188	171	110	134	115	143	16	Ø3.6	7 X13	M6	20.10	

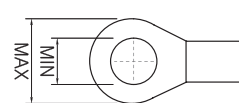
※ 정격용량 : 최대전압(TAP)에서의 용량임. ※ Rated capacity : Capacity at the maximum voltage(TAP).

● Dimension

• WT Type



● Terminal



40VA~100VA : Max 6, Min 3.5
150VA~1kVA : Max 9, Min 4
1.5~2kVA : Max 15, Min 6

노이즈컷트랜스

리액터 REACTOR

트랜스포머 TRANSFORMER

수용필터 AHPF

수용필터 PHF

마이크로서지필터 MSF

사인웨이브필터 SWF

영상고조파필터 ZHF