



### ● Features

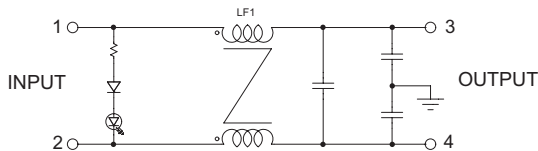
- Wide Band : High Attenuation
- Band Width : 150KHz~30MHz
- Small Size & Compact and Light Weight
- Low Leakage
- KC(안전인증) Approved by HK03001-17006A

### ● Specifications

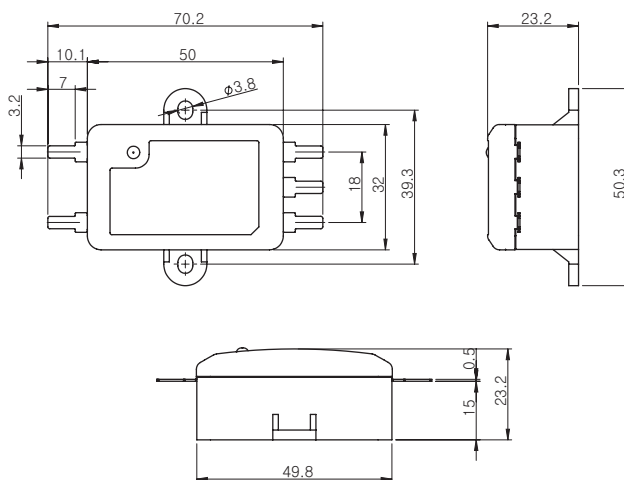
ITEM	MODEL	SYMBOL	WYFS03A2	WYFS06A2
Rated Voltage	V		250	
Rated Current	A		3	6
Frequency	Hz		50/60	
Dielectric Withstand	V		1500	
Insulation Resistance	MΩ		300	
Leakage Current	mA		0.5	
Operating Temperature	°C		-25°C ~ +100°C [Refer to Derating Curve TYPE-1]	
Operating Humidity	RH		35~85%RH	
Weight	g		40	

※ Derating Curve of page 103

### ● Circuit Diagram



### ● Dimension



### ● Characteristics

