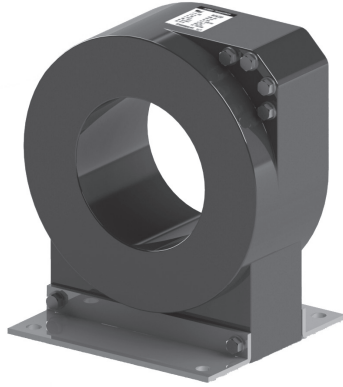


# ZERO PHASE SEQUENCE CURRENT TRANSFORMER (ZCT)

선택지락 계전기용 (SGR TYPE)

## WCZA / WCZB / WCZC



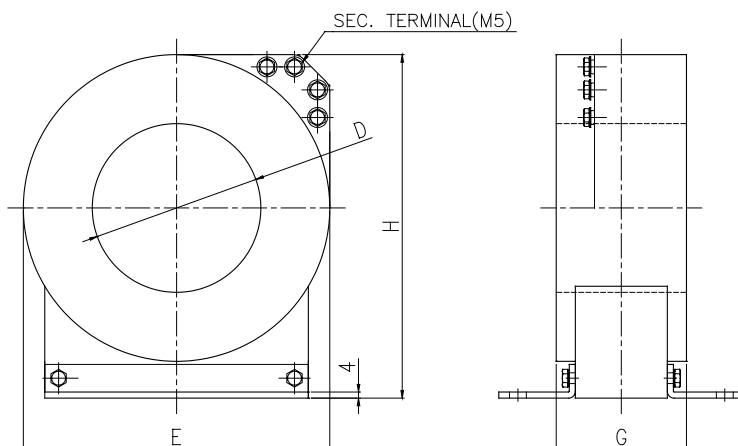
### ● Feature

- 규격(Standard) : JEC 1201
- 정격(Rated Current)
  - Primary : 200mA, Secondary : 1,5mA
- 오차(Accuracy Class)
  - L Class(1,0 mA ~ 2,0 mA ), H Class(1,2 mA ~ 1,8 mA )
- 부담(Rated Burden) : 10Ω (P.F 0,5 Lag Current)
- 절연계급(Insulation Level) : For Cable through type
- FREQUENCY : 60Hz (50Hz Option)
- INSULATION : Epoxy Mold

### ● Specification

MODEL	In Dia(∅)	Dimension (mm)						
		A	B	C	E	F	G	H
WCZA	∅110	145	135	172	200	160	85	224
WCZB	∅180	150	130	200	280	160	120	350
WCZC	∅110	150	130	200	300	160	120	350
	∅135	150	130	200	300	160	120	350
	∅150	150	130	200	300	160	120	350
	∅200	150	130	200	300	160	120	350

### ● Dimension



### ● Connection Diagram

