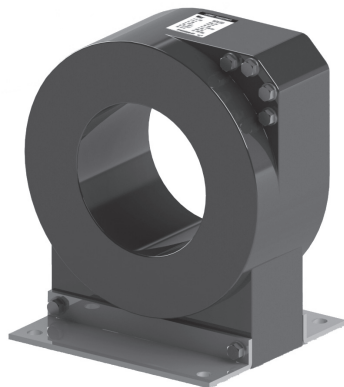


ZERO PHASE SEQUENCE CURRENT TRANSFORMER (ZCT)

CURRENT TRANSFORMER (CT)

WCZA / WCZB / WCZC



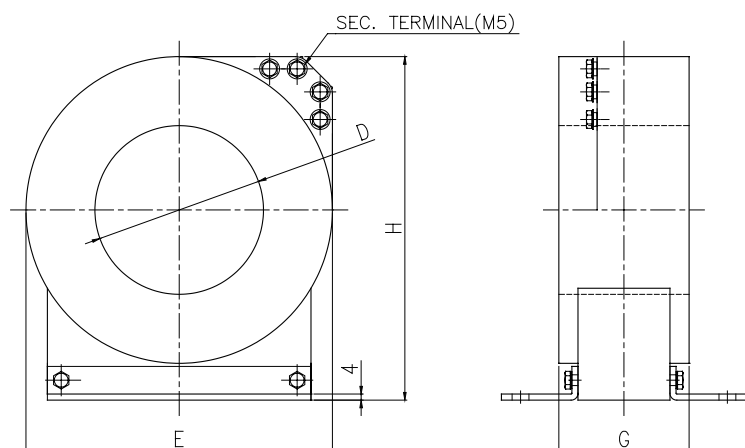
● Feature

- 규격(Standard) : IEC 61869-2
- 정격(Rated Current)
 - Primary : 50~100A, Secondary : 5 or 1A
- 오차(Accuracy Class) : 5P or 10P
- 과전류정수(Rated Over Current Factor) : $n > 5$ or 10
- 부담(Rated Burden) : 10Ω (P.F 0.5 Lag Current)
- 절연계급(Insulation Level) : For Cable through type
- FREQUENCY : 60Hz (50Hz Option)
- INSULATION : Epoxy Mold

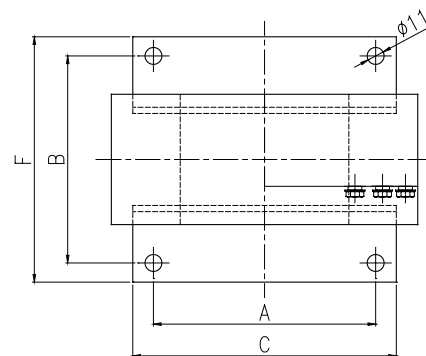
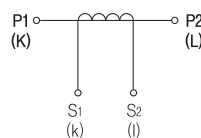
● Specification

MODEL	In Dia(∅)	Dimension (mm)						
		A	B	C	E	F	G	H
WCZA	∅110	145	135	172	200	160	85	224
WCZB	∅180	150	130	200	280	160	120	350
WCZC	∅110	150	130	200	300	160	120	350
	∅135	150	130	200	300	160	120	350
	∅150	150	130	200	300	160	120	350
	∅200	150	130	200	300	160	120	350

● Dimension



● Connection Diagram



HV / CT
고압변류기

HV / VT · MOF
고압변압기

LV / CT
저압변류기

LV / VT
저압변압기

RELA Y
보호계전기

E L D
누전경보기

G F R
지락계전기

Z C T
영상변류기

M E T E R
지시전기계기

S H U N T
선택