

24kV (0~500VA)

W24V2G



EPOXY RESIN CAST VOLTAGE TRANSFORMERS for highest voltage of equipment up to 24kV

W24V2G 변압기는 최고회로전압 24kV급 절연성능으로 설계되어진 옥외용 에폭시몰드 제품으로 그 이하 전압(17.5kV) 제품에 대해서는 동일한 치수(DIMENSION)를 가진다. 안정적인 절연능력 및 전기적 특성을 갖으며, 기계적 안전성과 유지보수의 용이성이 우수한 제품이다. 또한 단일 또는 다중 탭을 갖는 제품으로 설계 가능하다.

The W24V2G voltage transformer is an outdoor epoxy resin cast product designed in a maximum circuit voltage 24kV-class insulation performance, and has the same dimensions for the less voltage (17.5kV) product. This has a stable insulation capacity and electrical property, has excellent mechanical safety, and is easy to maintain. It is also possible to design products with single or multiple taps.

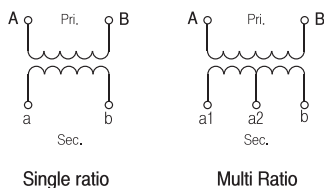
● Feature

규격 Standard	IEC - IEEE - KS etc.
설계 및 적용 Design and Application	계기 및 보호용 Designed for measuring and/or protection
사용조건 Service condition	옥외 Valid for outdoor service
작업공정 Working process	진공주형방식 Vacuum casting method

● Electrical characteristic

ITEM	MODEL	W24V2G
Highest voltage for equipment (Um)		24kV
Rated power-frequency withstand voltage (60sec)		50kV
Rated lightning impulse withstand voltage (1,2/50µs)full wave		125kV
Rated frequency		50Hz, 60Hz, others on request
Rated Primary Voltage		22000v
Rated Secondary Voltage		110V, 220v
Rated Voltage factor		1,2Vn cont.
Insulation class (according to IEC 60085)		E
Standard		According to customer requirements
Temperature Category		According to customer requirements
Weight (approx.)		45kg

● Connection Diagram

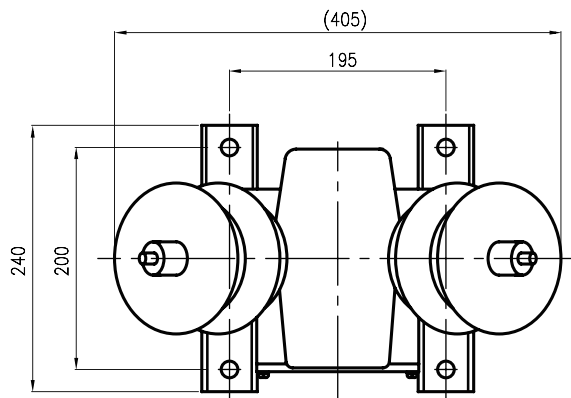


36kV (0~500VA)

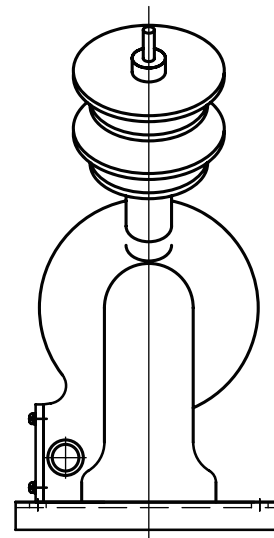
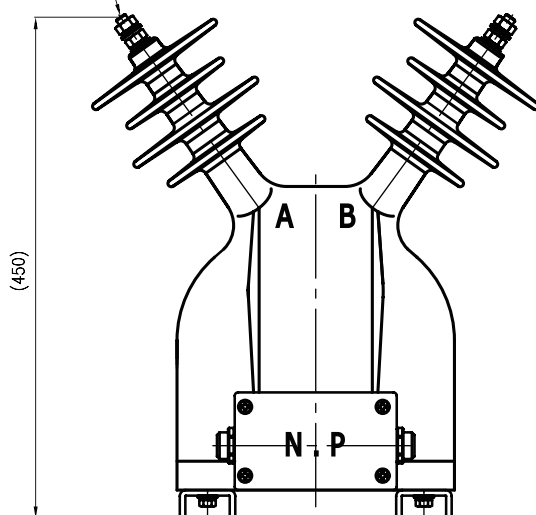
● Specification

ITEM	Highest voltage for equipment (Um)	Voltage Ratio (V)	IEC 61869-3		
			Accuracy Class	Burden (VA)	Voltage Factor
W24V2G	24kV	22000/110V	1,0	200	1,2 Cont
		22000/220V	3,0	300 500	

● Dimension



Primary connection M10



HV / CT
고압 변류기

HV / VT · MOF
고압 변압기

LV / CT
저압 변류기

LV / VT
저압 변압기

RELA Y
보호 계전기

ELD
누전경보기

GFR
지락 계전기

ZCT
영상 변류기

METER
지시 계전기

SPD
서지 보호기

SHUNT
선택