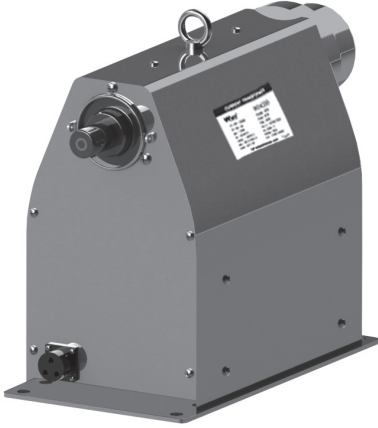


EARTHED TYPE (계기용변압기 / 접지형) VOLTAGE TRANSFORMER (EVT)

24(25.8)kV (0~200VA)

W24V1G



EPOXY RESIN CASTING VOLTAGE TRANSFORMERS for highest voltage of equipment up to 24kV

W24V1G 변압기는 최고회로전압 24kV급 절연성능으로 설계되어진 옥내용 에폭시몰드 제품으로 그 이하 전압(12kV, 17.5kV, 24kV) 제품에 대해서는 동일한 치수(DIMENSION)를 가진다. 안정적인 절연능력 및 전기적 특성을 갖으며, 기계적 안전성과 유지보수의 용이성이 우수한 제품이다.

The W24V1G voltage transformer is an indoor epoxy resin cast product with fuses, designed in a maximum circuit voltage 24kV-class insulation performance, that has a stable insulation capacity and electrical property, has excellent mechanical safety, and is easy to maintain. In addition, this can be designed in products with single of multiple taps.

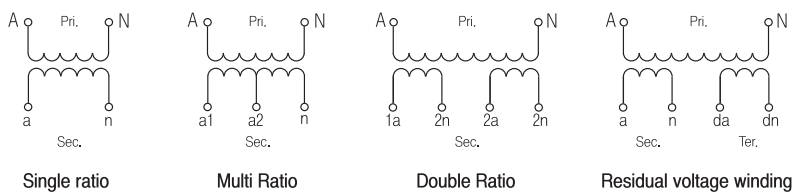
● Feature

규격 Standard	IEC - IEEE - KS etc.
설계 및 적용 Design and Application	- 계기 및 보호용 Designed for measuring and/ or protection - 퓨즈 내장형 Support Type with Fuse
사용조건 Service condition	옥내 Valid for indoor service
작업공정 Working process	- 자동진공주형방식 Automatic vacuum casting method

● Electrical characteristic

ITEM	MODEL		
	W24V1G		
Highest voltage for equipment (Um)	12kV	17.5kV	24kV
Rated power-frequency withstand voltage (60sec)	28kV	38kV	50kV
Rated lighting Impulse withstand voltage (1.2/50μs)/full wave	75kV	95kV	125kV
Rated frequency	50Hz, 60Hz, others on request		
Rated Primary Voltage	13200V, 22900/√3 V		
Rated Secondary Voltage	110V, 110/√3 V, 190/√3 V, 220V, 380/√3		
Rated Voltage factor	1.2Cont, 1.5/30s, 1.9/30s, 1.9/8h		
Thermal Limit Burden	1600VA		
Insulation class (according to IEC 60085)	E		
Standard	According to customer requirements		
Temperature Category	According to customer requirements		
Weight (approx.)	58kg		

● Connection Diagram



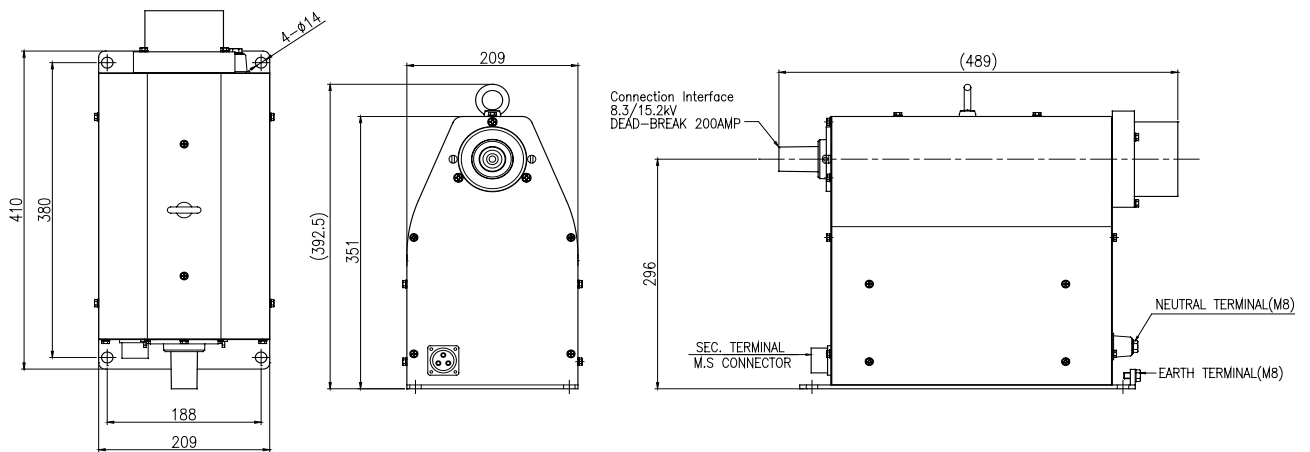
EARTHED TYPE (계기용변압기 / 접지형) VOLTAGE TRANSFORMER (EVT)

24(25.8)kV (0~200VA)

● Specification

Highest voltage for equipment (Um)	Voltage Ratio (V)	IEC 61869-3		
		Voltage Factor	Accuracy Class	Burden (VA)
24kV	13200 / 220-110V	1.2cont 1.5/30s	3.0	800
	$\frac{22900}{\sqrt{3}} / \frac{110}{\sqrt{3}} \left(\frac{190}{3} \right) V$	1.2cont 1.5/30s	3.0	800

● Dimension



고압변류기
HV / CT

고압변압기
HV / VT : MOF

저압변류기
LV / CT

저압변압기
LV / VT

보호계전기
RELAY

누전경보기
E.L.D

지락계전기
G.F.R

영상변류기
Z.C.T

지시전기계기
M.E.T.E.R

선틀
S.H.U.N.T