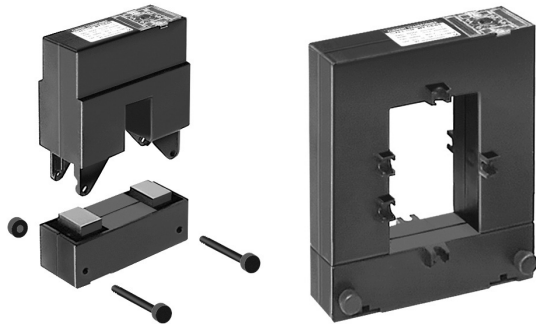


SPLIT TYPE (분할형) CURRENT TRANSFORMER

0.72kV (50~5000A)



- Standard :KS C 1706, IEC 61869-2, JEC 1201, IEEE C 57.13



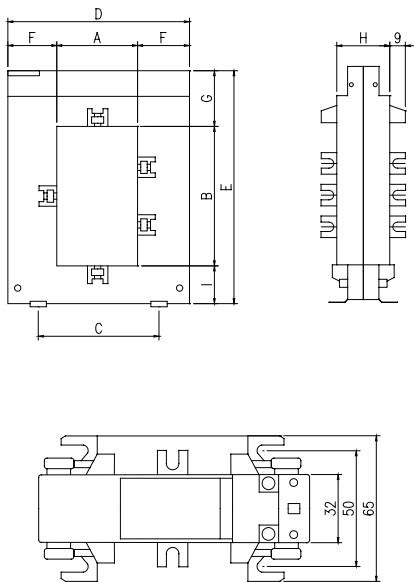
● Specifications

- Split Core Type
- Maximum voltage : 0.72kV
- Withstand : 3kV/1min
- Frequency : 50Hz or 60Hz

● Features

- Protect cover
- Easy to install panel mounting kit

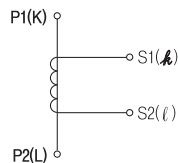
● Illustration & Drawing



● Single Ratio Type

MODEL	Primary (A)	Secondary (A)	Burden(VA)
			Class 1.0
WYSC-23	100~200	1, 5	1.25
	250		2
	300		3.75
	400		5
WYSC-58	250	1, 5	2
	300~400		3
	500~800		5
	1000		10
WYSC-88	250	1, 5	3.75
	300		5
	400		10
	500~800		15
	1000~2000		15
WYSC-812	500	1, 5	10
	600~800		15
	1000		15
	1200~1250		15
	1500~3000		15
WYSC-816	1000	1, 5	15
	1500~2500		15
	3000~5000		15

● Connection Diagram



● Dimension

MODEL	A	B	C	D	E	F	G	H	I	Weight(Kg)
WYSC-23	20	30	51	89	111	34	47	40	32	0.75
WYSC-58	50	80	78	114	145	32	32	32	33	0.9
WYSC-88	80	80	108	144	145	32	32	32	33	1.05
WYSC-812	80	120	108	144	185	32	32	32	33	1.25
WYSC-816	80	160	120	184	245	52	52	52	38	4.3

(mm)