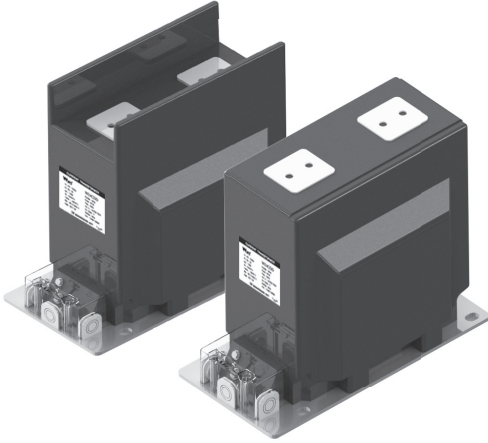


17.5~24kV (20~3200A / 75In~40kA)

W24CDA(R) / W24CDA

EPOXY RESIN CASTING CURRENT TRANSFORMERS for highest voltage of equipment up to 24kV



W24CDA(R)/W24CDA 변류기는 최고 회로전압 24kV급 절연성능으로 설계되어진 옥내용 에폭시몰드 제품으로 그 이하 전압(17.5kV) 제품에 대해서는 동일한 치수(DIMENSION)를 가진다. 본 제품은 국제규격 DIN42600(Part 8)에 따라 설계된 Support-type 형태의 소형경량의 Compact한 변류기 구조를 가짐으로서, 설치공간이 협소한 표준배전반에 매우 적합한 제품이다. 또한 1core 및 2core 의 단일 비 또는 다중 비 형태의 제품으로 설계 및 제작이 가능합니다.

The W24CDA(R)/W24CDA current transformer is an indoor epoxy resin cast product designed in a maximum circuit voltage 24kV-class insulation performance, and the less voltage(17.5kV) product has the same dimensions. This product has a miniature light-weight compact structure of support type designed according to the international standard DIN42600(Part 8) to be very suitable for standard switchboards installed in a narrow space. In addition, this can be designed and fabricated in a single or multiple ratio type such as 1 core and 2 cores.

● Feature

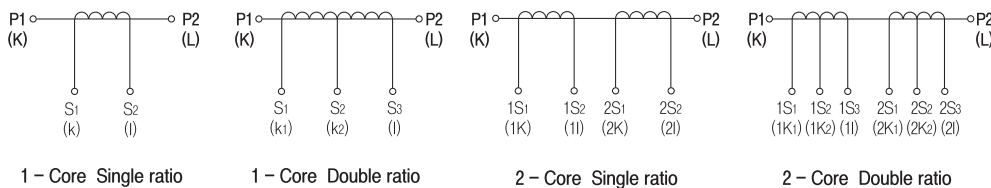
규격 Standard	IEC - IEEE - CSA - DIN etc.
설계 및 적용 Design and Application	계기 및 보호용 Designed for measuring and/or protection
사용조건 Service condition	옥내 Valid for indoor service
작업공정 Working process	- 자동진공주형방식 Automatic vacuum casting method - APG방식 Automatic Pressure Gelation method

● Electrical characteristic

ITEM	MODEL	
	W24CDA(R) / W24CDA	
Highest voltage for equipment (Um)	17.5kV	24kV
Rated power-frequency withstand voltage (60sec)	38kV	50kV
Rated lighting Impulse withstand voltage (1.2/50 μ s)/full wave	95kV	125kV
Rated frequency	50 / 60Hz	
Rated primary current(Ipr)	20 to 3200A	
Rated secondary current(Isr)	5 or 1A	
Rated continuous thermal current	120%	
Rated short-time thermal current Ith (1sec)	75In~40kA	
Rated dynamic current Idyn (2.5 \times Ith)	100kA	
Insulation class (according to 60085)	E	
Standard	According to customer requirements	
Weight (approx.)	30kg	

*"R" : Rib type (날개형)

● Connection Diagram



DIN - WINDING TYPE (권선형) CURRENT TRANSFORMER

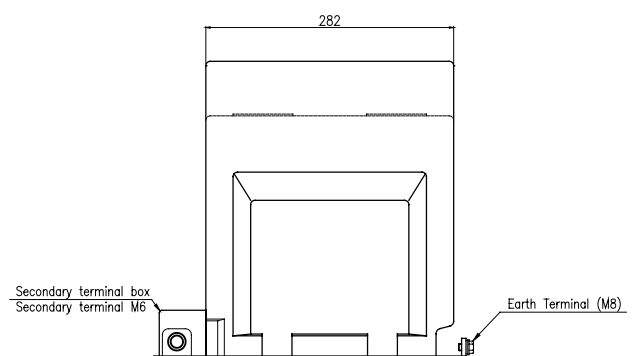
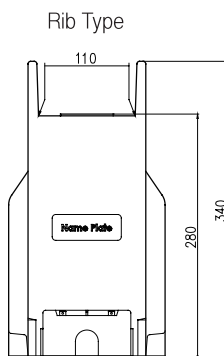
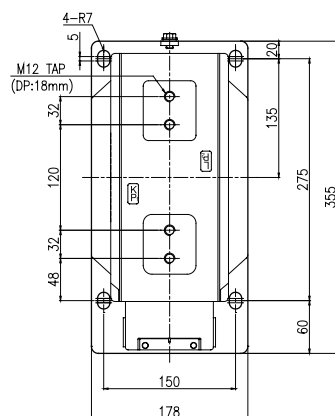
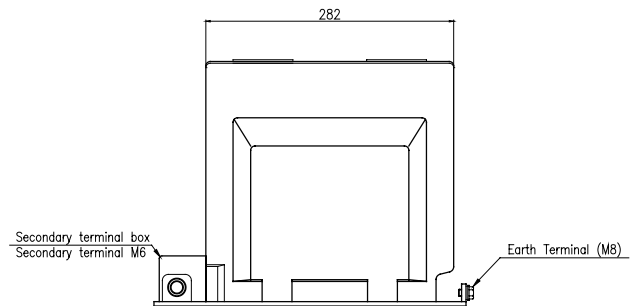
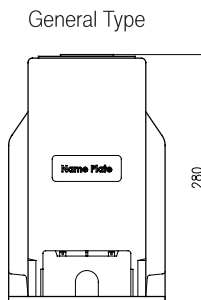
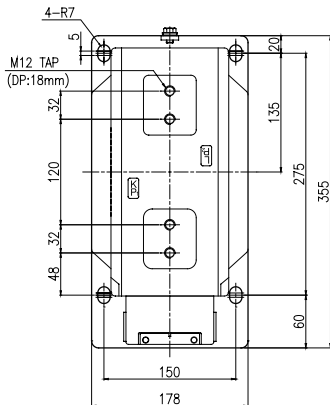
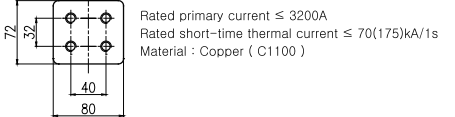
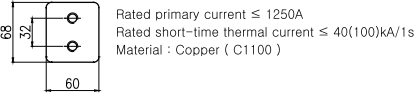
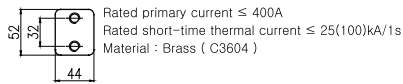
17.5~24kV (20~3200A / 75In~40kA)

● Specification

ITEM	Rated short time current	Current Ratio	Service	IEC 61869-2			IEEE C57.13			KSC 1706		
				Burden	Accuracy Class	Over Current Factor	Burden	Accuracy Class	Over Current Factor	Burden	Accuracy Class	Over Current Factor
Single Ratio CT	75In	20/5A~600/5A	Metering	15VA	0.5 1.0	FS5,10	12.5VA (B-0.5)	0.6 1.2	-	15VA	0.5 1.0	-
	12.5kA	75/5A~3200/5A		30VA	1.0	FS5,10	22.5VA (B-0.9)	0.6 1.2	-	25VA	0.5 1.0	-
	25kA	100/5A~3200/5A					45VA (B-1.8)	1.2	-	40VA	1.0	-
	31.5kA	250/5A~3200/5A	Protection	15VA	5P10	30	25VA (B-0.5)	T-100	-	15VA	1P	n>40
	40kA	300/5A~3200/5A		30VA	5P20	20	50VA (B-2)	T-100	-	25VA	1P	n>30
2-core Single Ratio CT	75In	20/5-5A~600/5-5A	Metering (1st core)	15VA	1.0	FS5,10	12.5VA (B-0.5)	1.2	-	15VA	1.0	-
	12.5kA	75/5-5A~3200/5-5A				22.5VA (B-0.9)	1.2	-	25VA	1.0	-	
	25kA	200/5-5A~3200/5-5A	Protection (2nd core)	15VA	5P10	10	12.5VA (B-0.5)	T-50	-	15VA	1P	n>30
				30VA	5P10	10				25VA	1P	n>20
										40VA	1P	n>10

● Dimension

* Primary Terminal



HV/CT 고압변류기

HV/VT-MOF 고압변압기

LV/CT 저압변류기

LV/VT 저압변압기

RELA Y 보호계전기

E L D 누전경보기

G F R 지락계전기

Z C T 영상변류기

M E T E R 지시전계기

S H U N T 셉트