

COOLING FAN

A12C25T Series 120×120×25mm Ball Type



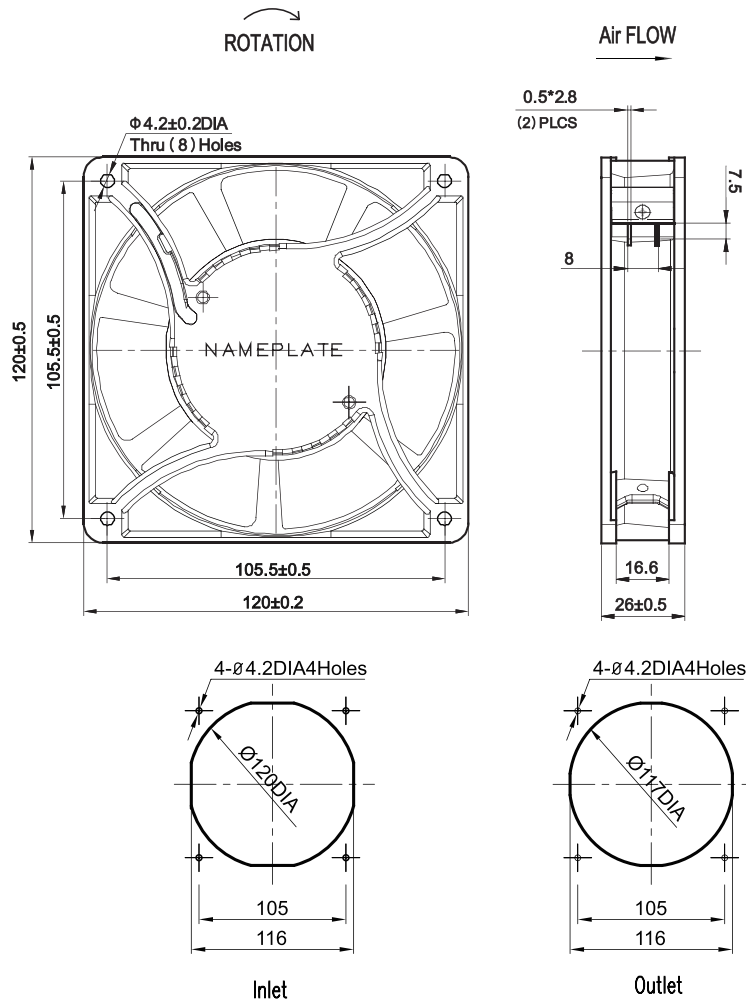
● A12C25T Series

- SIZE : 120×120×25mm
- AIR FLOW : 46/132m³/hr
66/78CFM
- NOISE : 38/41dBA
- IMPELLER MATERIAL : PBT Thermoplastic Black,UL94-V0
- FRAME : Aluminum Alloy
- TERMINALS : 0.5mm
- LEAD WIRE : AWG#22 UL 1569(Optional)
- MOTOR : Shaded Pole Induction Motor
- OPERATING TEMPERATURE : -10°C~+65°C

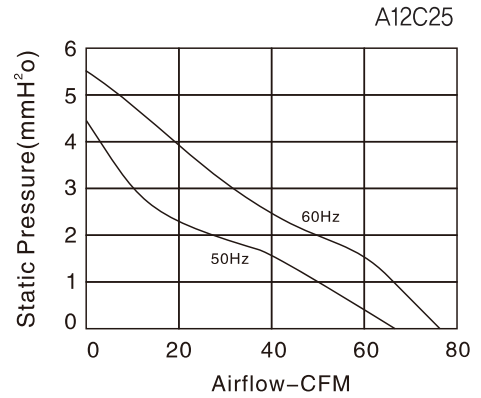
● Specification

MODEL NO.	Type	VOLTAGE (VAC)	FREQ. (Hz)	CURRENT	POWER	SPEED (RPM)	NOISE (dBA)	AIR FLOW		WEIGHT (g)
								m ³ /hr	CFM	
WYA1V12C25TBT	Ball Bearing	100/125	50/60	0.24/0.22	18/16	2350/2750	38/41	46/132	66/78	330
WYA2V12C25TBT-2		200/240	50/60	0.08/0.07	14/13	2300/2500	38/41	46/132	66/78	

● Dimension



● Characteristics



PCB 기판 구조형
DIN 칩보형
10 S S R
30 S S R
D C T Y P E
10 T P R
10 DIGITAL
30 DIGITAL
10, 30 T P R
CAP T P R
FAN