

COOLING FAN

A12C38T Series 120×120×38mm Ball Type



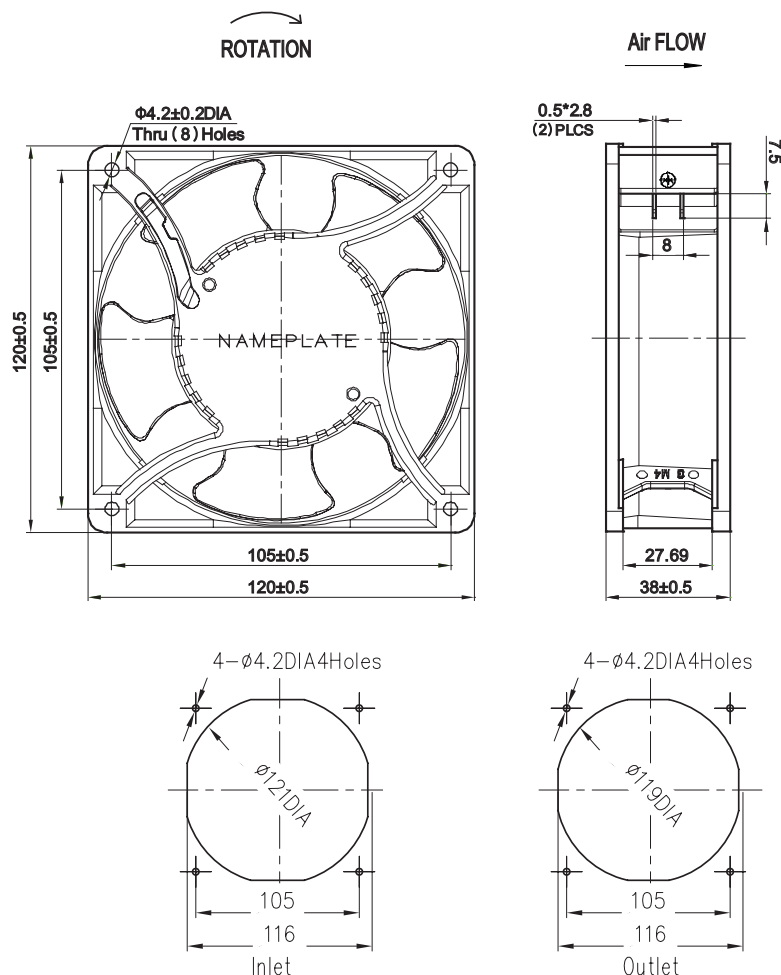
● A12C38T Series

- SIZE : 120×120×38mm
- AIR FLOW : 158/166m³/hr
93/98CFM
- NOISE : 43/48dBA
- IMPELLER MATERIAL : PBT Thermoplastic Black,UL94-V0
- FRAME : Aluminum Alloy
- TERMINALS : 0,5mm
- LEAD WIRE : AWG#22 UL 1569(Optional)
- MOTOR : Shaded Pole Induction Motor
- OPERATING TEMPERATURE : -10°C~+65°C

● Specification

MODEL NO.	Type	VOLTAGE (VAC)	FREQ. (Hz)	CURRENT	POWER	SPEED (RPM)	NOISE (dBA)	AIR FLOW		WEIGHT (g)
								m ³ /hr	CFM	
WYA1V12C38TBT-1	Ball Bearing	100/125	50/60	0,23/0,2	21/17	2500/2600	43/48	158/166	93/98	480
WYA2V12C38TBT-1		200/240	50/60	0,15/0,12	21/17	2500/2850	43/48	158 /166	93/98	

● Dimension



● Characteristics

