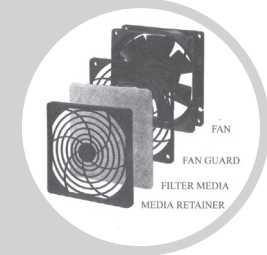


전자 팬

Cooling Fan



AC 전자팬

80×80×25mm Series.....	1031
80×80×38mm Series.....	1032
92×92×25mm Series.....	1033
92×92×38mm Series.....	1034
120×120×25mm Series.....	1035
120×120×38mm Series.....	1036
136×136×38mm Series.....	1037
172×150×38mm Series.....	1038
172×150×51mm Series.....	1039
Ø172×51mm Series.....	1040
172×150×55mm Series.....	1041
160×160×62mm Series.....	1042
FAN UNDER CURRENT RELAY.....	1043
Fan-Accessory.....	1046

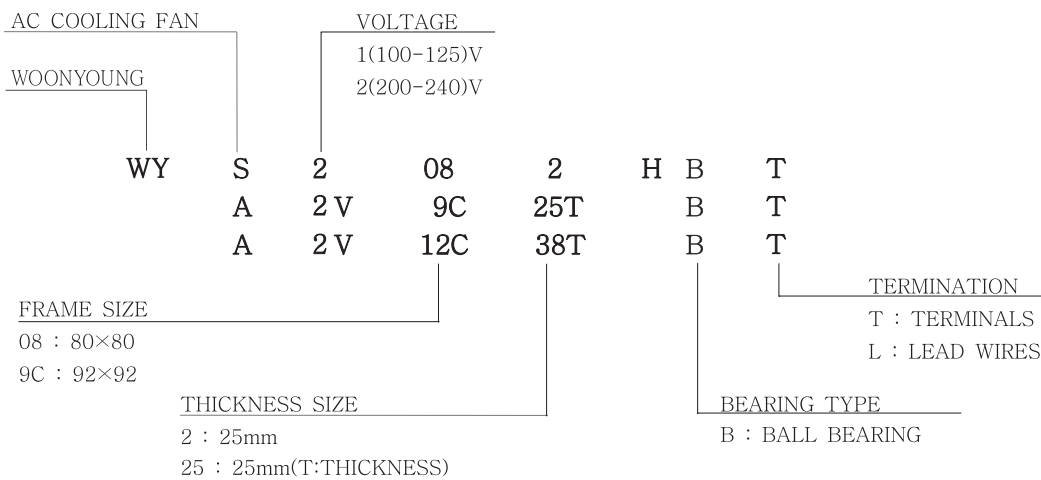
COOLING FAN

Cooling Fan Picture & Part Number Code

● AC Cooling Fan Picture

1. A8025 	2. A8038 	3. A9C25T 	4. A9C38T 	5. A12C25T 	6. A12C38T 	7. A13C38T
8. A15C38T 	9. A15C51T 	10. A17C51T 	11. A15C55T 	12. A16C62T 		

● Part Number Code



COOLING FAN

A8025 Series 80×80×25mm Ball Type



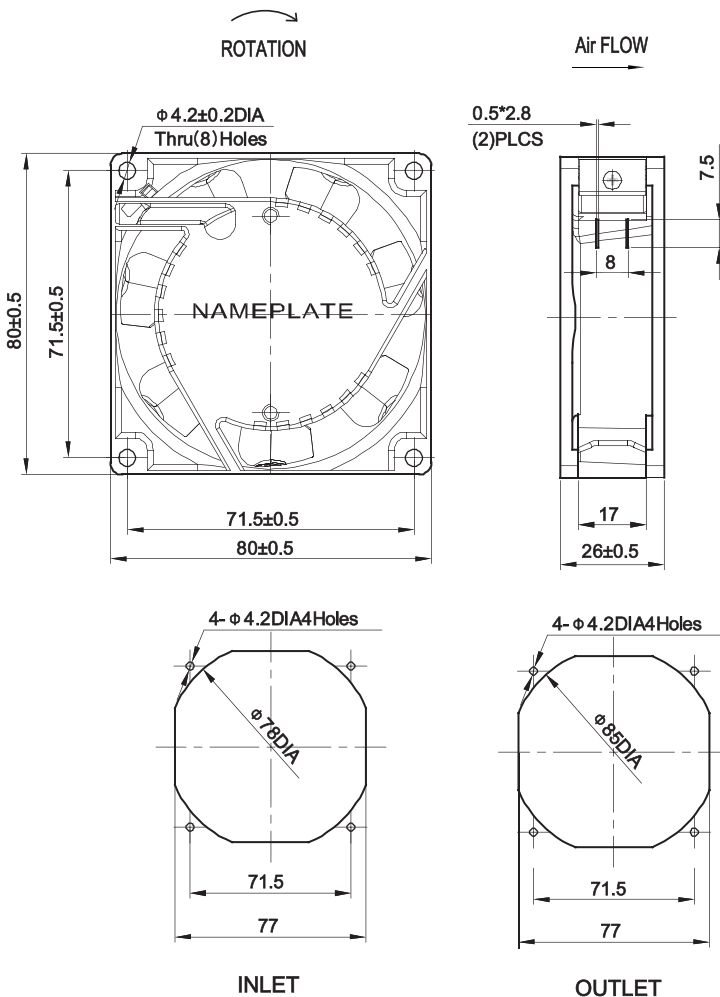
● A8025 Series

- SIZE : 80×80×25mm
- AIR FLOW : 32/39m³/hr
19/23CFM
- NOISE : 26/23dBA
- IMPELLER MATERIAL : PBT Thermoplastic Black,UL94-V0
- FRAME : Aluminum Alloy
- TERMINALS : 0.5mm
- LEAD WIRE : AWG#22 UL 1569(Optional)
- MOTOR : Shaded Pole Induction Motor
- OPERATING TEMPERATURE : -10°C~+65°C

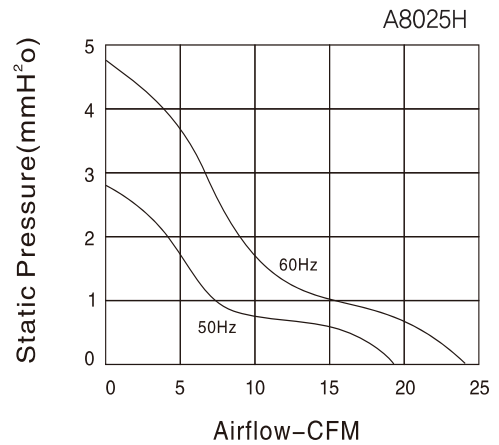
● Specification

MODEL NO.	Type	VOLTAGE (VAC)	FREQ. (Hz)	CURRENT	POWER	SPEED (RPM)	NOISE (dBA)	AIR FLOW		WEIGHT (g)
								m ³ /hr	CFM	
WYS1082HBT	Ball Bearing	100/125	50/60	0.2/0.16	13/12	2300/2700	26/23	32/39	19/23	260
WYS2082HBT		200/240	50/60	0.1/0.08	13/12	2400/2800	26/23	32/39	19/23	

● Dimension



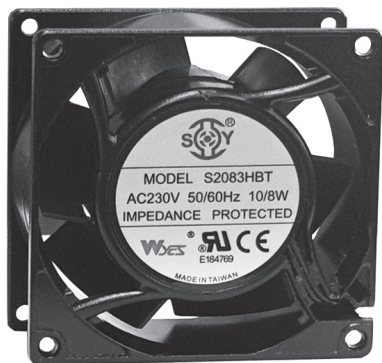
● Characteristics



트랜스포머
AC 전자팬
리액터
무정전압블레이드
스위칭파워
노이즈 필터
하모닉 필터
서지보호기
보호계전기
누전경보기
영상변류기
판넬메타
계기용 변성기
선풍기

COOLING FAN

A8038 Series 80×80×38mm Ball Type



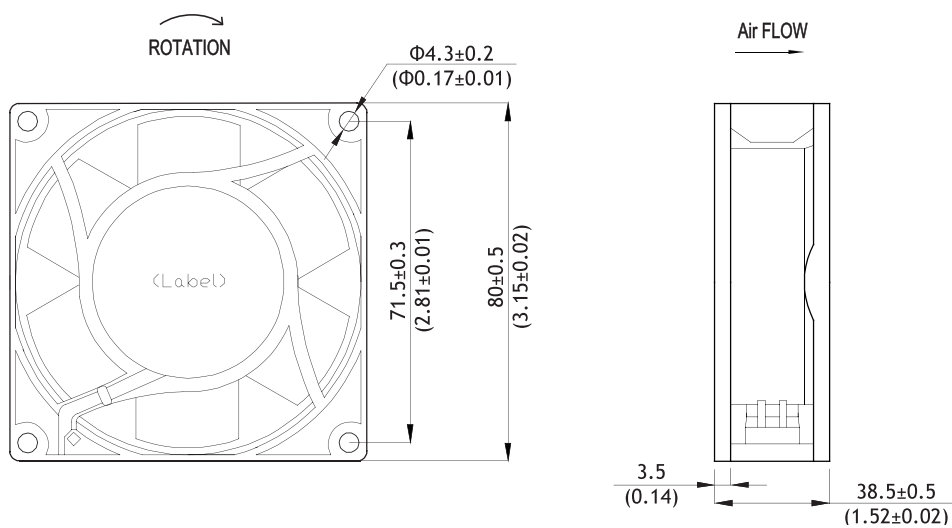
● A8038 Series

- SIZE : 80×80×38mm
- AIR FLOW : 39/48m³/hr
32/28CFM
- NOISE : 28/32dBA
- IMPELLER MATERIAL : PBT Thermoplastic Black,UL94-V0
- FRAME : Aluminum Alloy
- TERMINALS : 0.5mm
- LEAD WIRE : AWG#22 UL 1569(Optional)
- MOTOR : Shaded Pole Induction Motor
- OPERATING TEMPERATURE : -10°C~+65°C

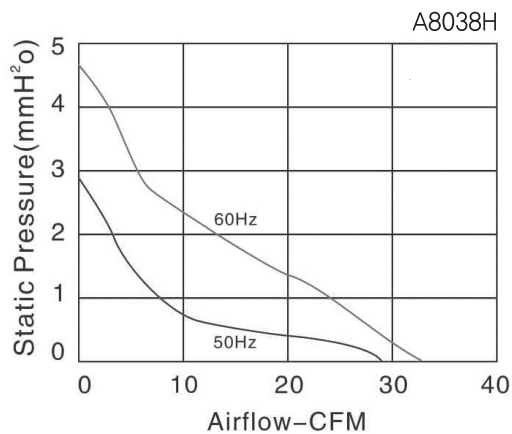
● Specification

MODEL NO.	Type	VOLTAGE (VAC)	FREQ. (Hz)	CURRENT	POWER	SPEED (RPM)	NOISE (dBA)	AIR FLOW		WEIGHT (g)
								m ³ /hr	CFM	
WYS1083HBT	Ball Bearing	100/125	50/60	0.08	18/16	2550/3000	28/32	39/48	32/28	275
WYS2083HBT		200/240	50/60	0.08	18/16	2550/3000	28/32	39/48	32/28	

● Dimension



● Characteristics



COOLING FAN

A9C25T Series 92×92×25mm Ball Type



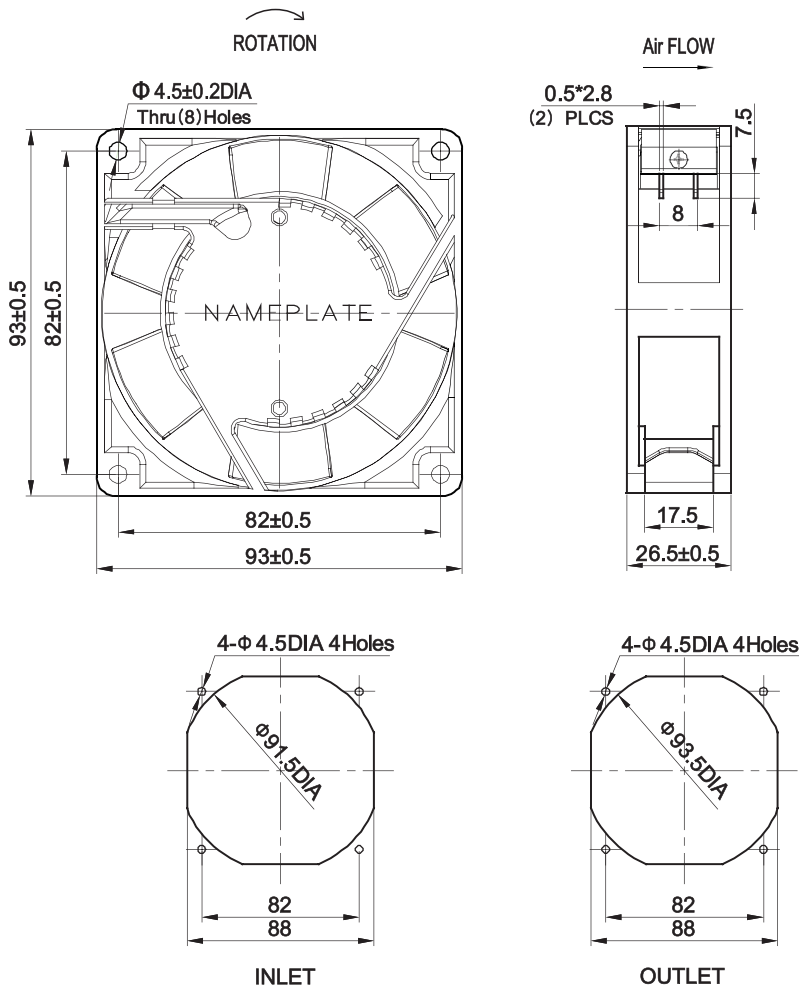
● A9C25T Series

- SIZE : 92×92×25mm
- AIR FLOW : 51/63m³/hr
30/37CFM
- NOISE : 34/40dBA
- IMPELLER MATERIAL : PBT Thermoplastic Black,UL94-V0
- FRAME : Aluminum Alloy
- TERMINALS : 0.5mm
- LEAD WIRE : AWG#22 UL 1569(Optional)
- MOTOR : Shaded Pole Induction Motor
- OPERATING TEMPERATURE : -10℃~+65℃

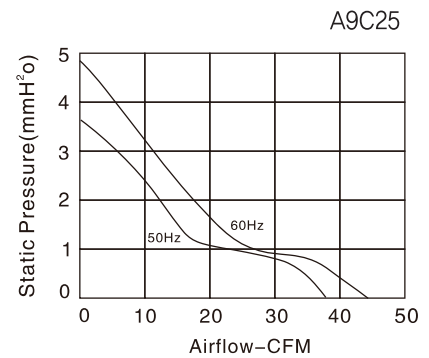
● Specification

MODEL NO.	Type	VOLTAGE (VAC)	FREQ. (Hz)	CURRENT	POWER	SPEED (RPM)	NOISE (dBA)	AIR FLOW		WEIGHT (g)
								m ³ /hr	CFM	
WYA1V9C25TBT	Ball Bearing	100/125	50/60	0.19/0.16	16/13	2350/2800	34/40	51/63	30/37	268
WYA2V9C25TBT-2		200/240	50/60	0.09/0.07	15/11	2300/2500	34/40	51/63	30/37	

● Dimension



● Characteristics



트랜스포머
리액터
무정전압블레이드
전력조정기
스위칭파워
노이즈 필터
하모닉 필터
서지보호기
보호계전기
누전경보기
영상변류기
판넬메타
계기용변성기
선(트)팬

COOLING FAN

A9C38T Series 92×92×38mm Ball Type



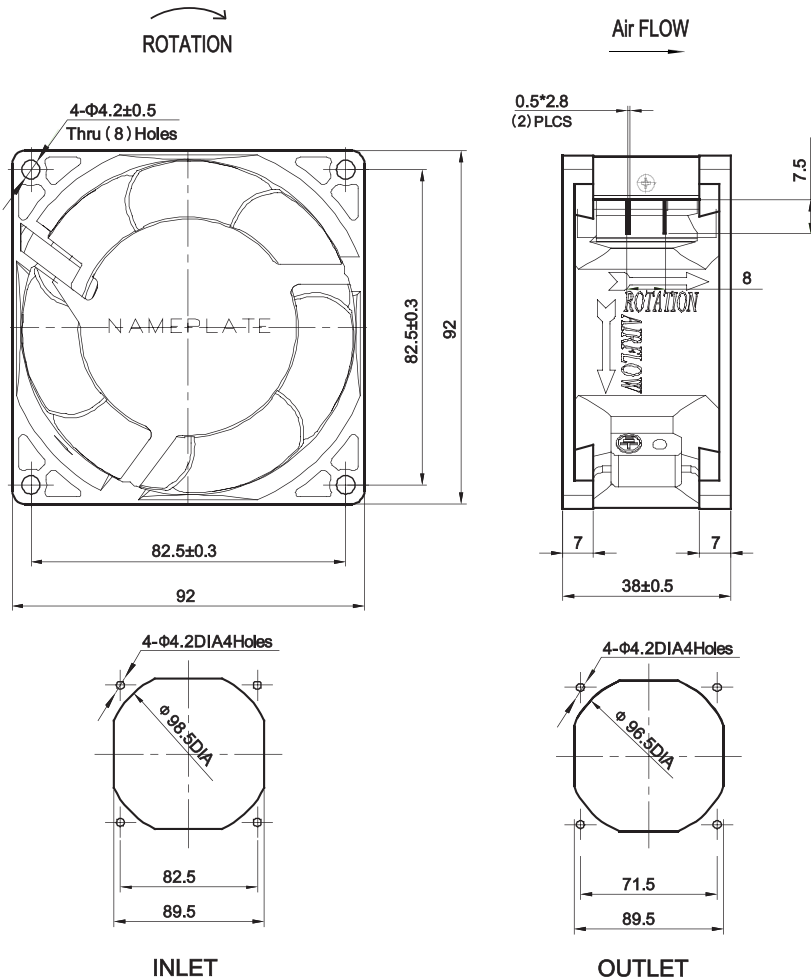
● A9C38T Series

- SIZE : 92×92×38mm
- AIR FLOW : 78/95m³/hr
46/56CFM
- NOISE : 37/42dBA
- IMPELLER MATERIAL : Iron Leaf
- FRAME : Aluminum Alloy
- TERMINALS : 0.5mm
- LEAD WIRE : The Mostable Wire(Optional)
- MOTOR : Shaded Pole External Rotor Induction Motor
- OPERATING TEMPERATURE : -10°C~+105°C

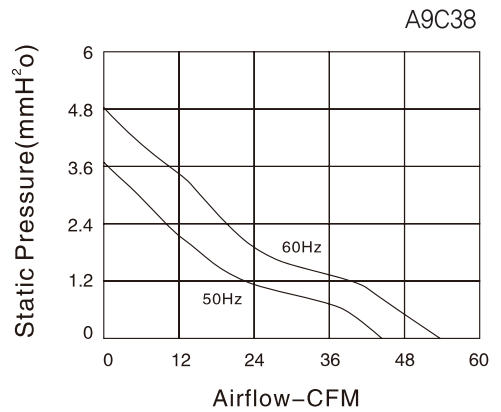
● Specification

MODEL NO.	Type	VOLTAGE (VAC)	FREQ. (Hz)	CURRENT	POWER	SPEED (RPM)	NOISE (dBA)	AIR FLOW		WEIGHT (g)
								m ³ /hr	CFM	
WYA1V9C38TBT	Ball Bearing	100/125	50/60	0.17/0.15	16/14	2450/2800	37/42	78/95	46/56	480
WYA2V9C38TBT		200/240	50/60	0.09/0.08	16/14	2450/2850	37/42	78/95	46/56	
WYA2V9C38TBL		200/240	50/60	0.09/0.08	16/14	2450/2850	37/42	78/95	46/56	

● Dimension



● Characteristics



COOLING FAN

A12C25T Series 120×120×25mm Ball Type



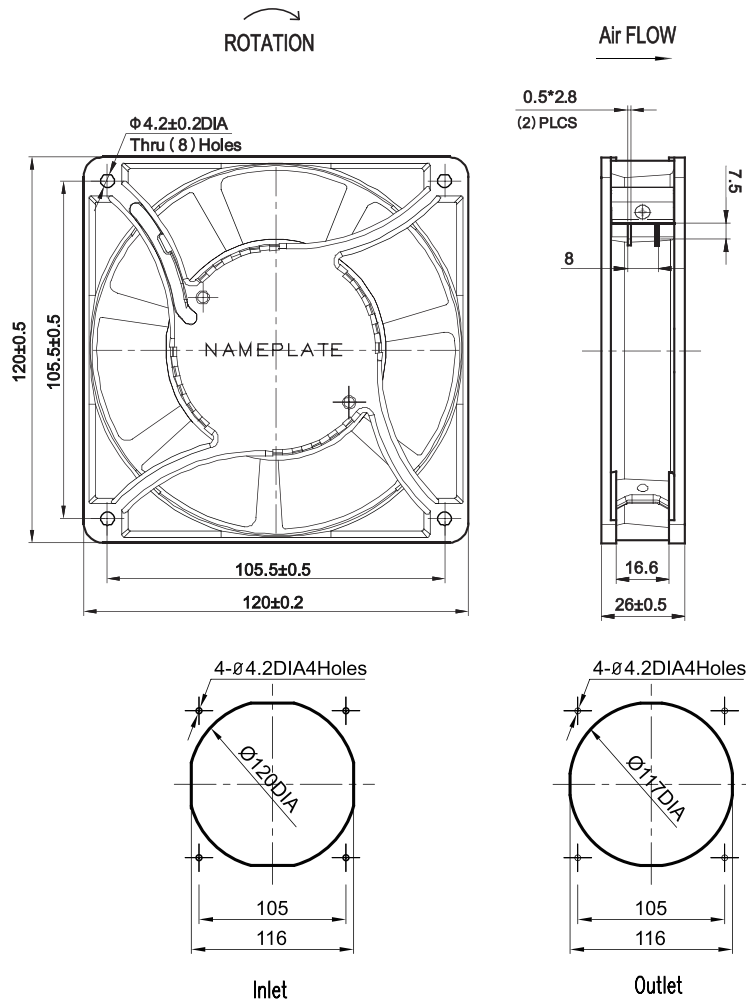
● A12C25T Series

- SIZE : 120×120×25mm
- AIR FLOW : 46/132m³/hr
66/78CFM
- NOISE : 38/41dBA
- IMPELLER MATERIAL : PBT Thermoplastic Black,UL94-V0
- FRAME : Aluminum Alloy
- TERMINALS : 0.5mm
- LEAD WIRE : AWG#22 UL 1569(Optional)
- MOTOR : Shaded Pole Induction Motor
- OPERATING TEMPERATURE : -10°C~+65°C

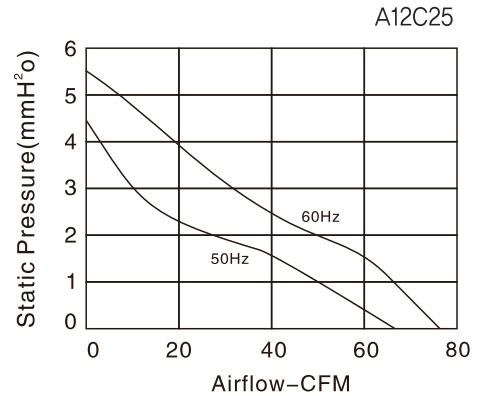
● Specification

MODEL NO.	Type	VOLTAGE (VAC)	FREQ. (Hz)	CURRENT	POWER	SPEED (RPM)	NOISE (dBA)	AIR FLOW		WEIGHT (g)
								m ³ /hr	CFM	
WYA1V12C25TBT	Ball Bearing	100/125	50/60	0.24/0.22	18/16	2350/2750	38/41	46/132	66/78	330
WYA2V12C25TBT-2		200/240	50/60	0.08/0.07	14/13	2300/2500	38/41	46/132	66/78	

● Dimension



● Characteristics



트랜스폼러
리액터
무정전압레일
스위칭파워
노이즈 필터
하모닉 필터
서지보호기
보호계전기
누전경보기
영상변류기
판넬메타
계기용변성기
선풍기

COOLING FAN

A12C38T Series 120×120×38mm Ball Type



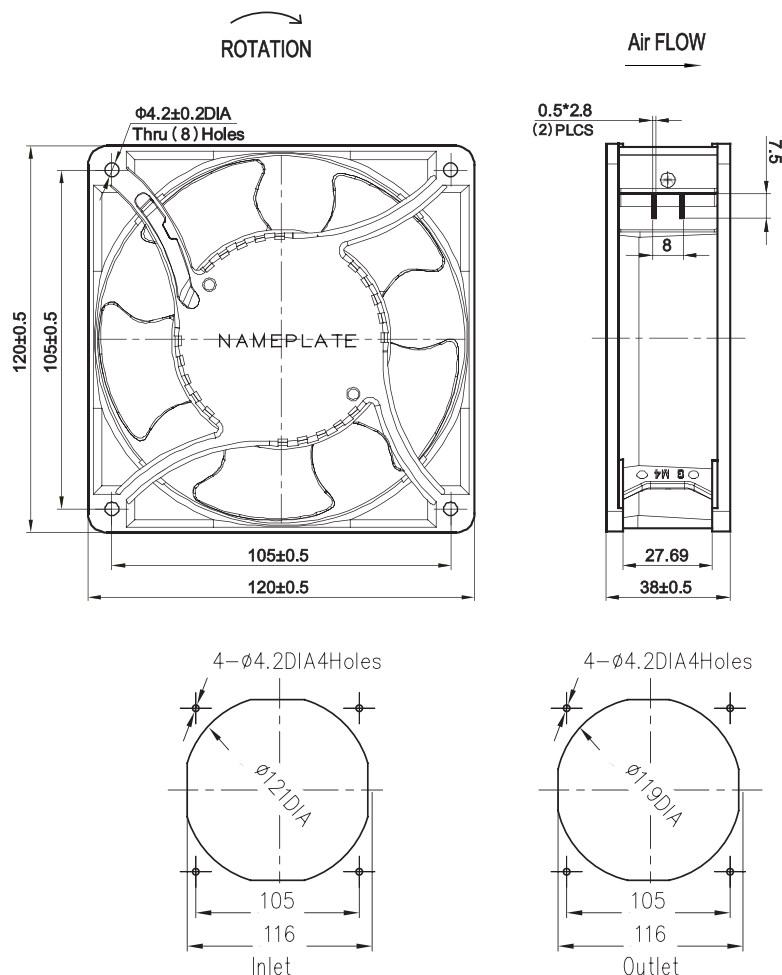
● A12C38T Series

- SIZE : 120×120×38mm
- AIR FLOW : 158/166m³/hr
93/98CFM
- NOISE : 43/48dBA
- IMPELLER MATERIAL : PBT Thermoplastic Black,UL94-V0
- FRAME : Aluminum Alloy
- TERMINALS : 0,5mm
- LEAD WIRE : AWG#22 UL 1569(Optional)
- MOTOR : Shaded Pole Induction Motor
- OPERATING TEMPERATURE : -10°C~+65°C

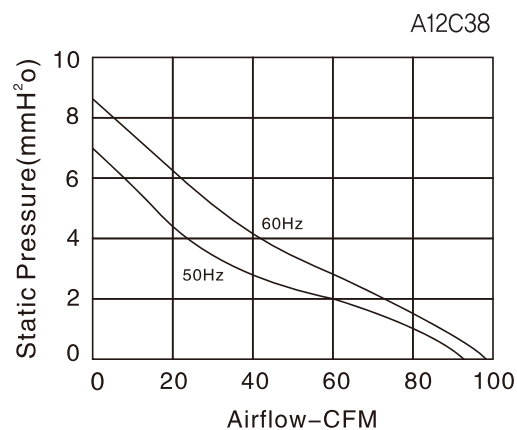
● Specification

MODEL NO.	Type	VOLTAGE (VAC)	FREQ. (Hz)	CURRENT	POWER	SPEED (RPM)	NOISE (dBA)	AIR FLOW		WEIGHT (g)
								m ³ /hr	CFM	
WYA1V12C38TBT-1	Ball Bearing	100/125	50/60	0,23/0,2	21/17	2500/2600	43/48	158/166	93/98	480
WYA2V12C38TBT-1		200/240	50/60	0,15/0,12	21/17	2500/2850	43/48	158 /166	93/98	

● Dimension



● Characteristics



COOLING FAN

A13C38T Series 136×136×38mm Ball Type



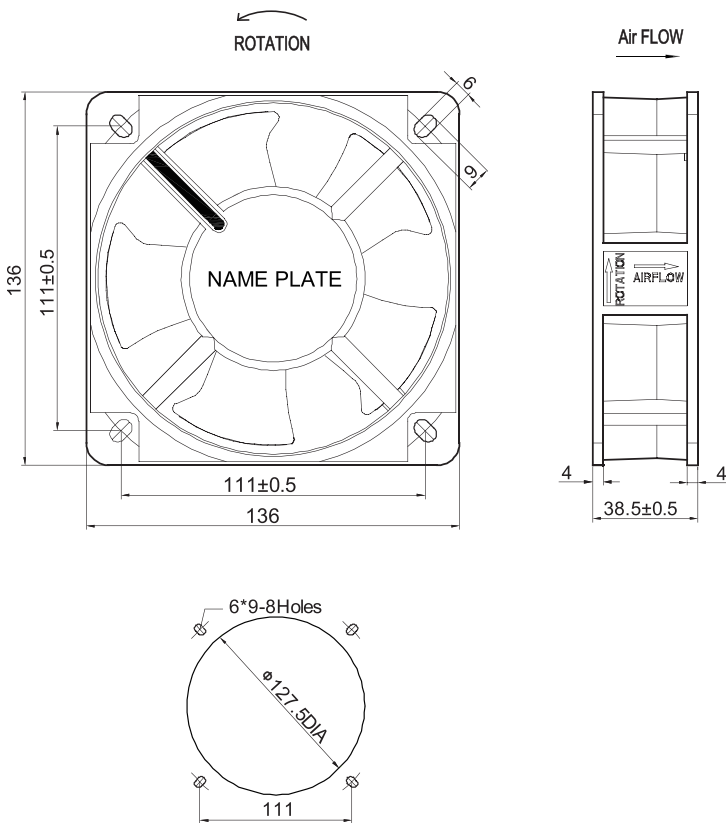
● A13C38T Series

- SIZE : 136×136×38mm
- AIR FLOW : 192/233m³/hr
113/137CFM
- NOISE : 46/53dBA
- IMPELLER MATERIAL : PBT Thermoplastic Black,UL94-V0
- FRAME : Aluminum Alloy
- TERMINALS : 0.5mm
- LEAD WIRE : AWG#22 UL 1569(Optional)
- MOTOR : Shaded Pole Induction Motor
- OPERATING TEMPERATURE : -10°C~+65°C

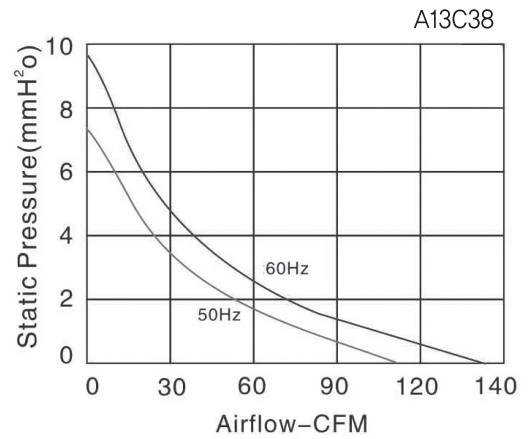
● Specification

MODEL NO.	Type	VOLTAGE (VAC)	FREQ. (Hz)	CURRENT	POWER	SPEED (RPM)	NOISE (dBA)	AIR FLOW		WEIGHT (g)
								m ³ /hr	CFM	
WYA1V13C38TBT		100/125	50/60	0,34	25	2600/3050	46/53	192/233	113/137	550
WYA2V13C38TBT		200/240	50/60	0,2/0,15	25/18	2600/3050	46/53	192/233	113/137	
WYA2V13C38TBL		200/240	50/60	0,2/0,15	25/18	2600/3050	46/53	192/233	113/137	

● Dimension



● Characteristics



트랜스포머
AC전자팬
리액터
무정전압블레이드
스위칭파워
노이즈 필터
하모닉 필터
서지보호기
보호계전기
누전경보기
영상변류기
판넬메타
계기용변성기
선풍기

COOLING FAN

A15C38T Series 172×150×38mm Ball Type



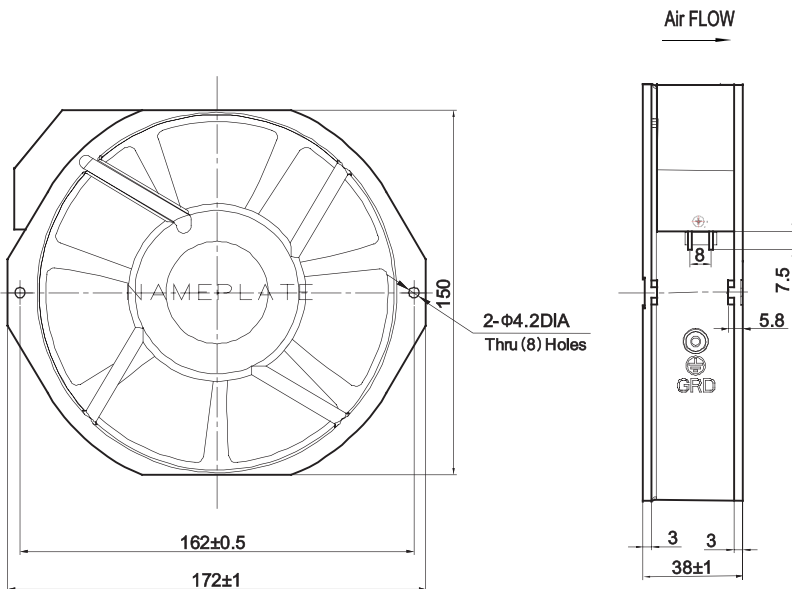
● A15C38T Series

- SIZE : 172×150×38mm
- AIR FLOW : 314/358m³/hr
158/211CFM
- NOISE : 56/ 60dBA
- IMPELLER MATERIAL : PBT Thermoplastic Black,UL94-V0
- FRAME : Aluminum Alloy
- TERMINALS : 0,5mm
- LEAD WIRE : 2 wire, AWG#22 UL 1015
- MOTOR : Impedance Protection
- OPERATING TEMPERATURE : -10°C~+70°C

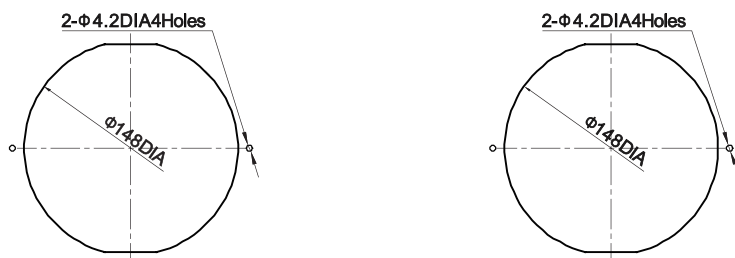
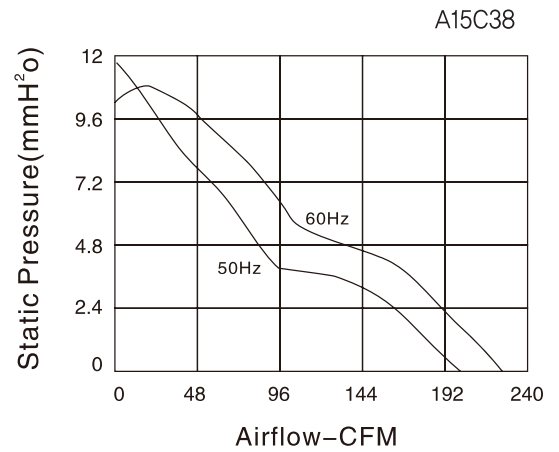
● Specification

MODEL NO.	Type	VOLTAGE (VAC)	FREQ. (Hz)	CURRENT	POWER	SPEED (RPM)	NOISE (dBA)	AIR FLOW		WEIGHT (g)
								m ³ /hr	CFM	
WYA1V15C38TBT	Ball Bearing	100/125	50/60	0,3/0,31	28/33	2700/2850	56/60	314/358	185/211	680
WYA2V15C38TBT		200/240	50/60	0,18/0,18	33/35	2750/3100	56/60	314/358	185/211	

● Dimension



● Characteristics



COOLING FAN

A15C51T Series 172×150×51mm Ball Type



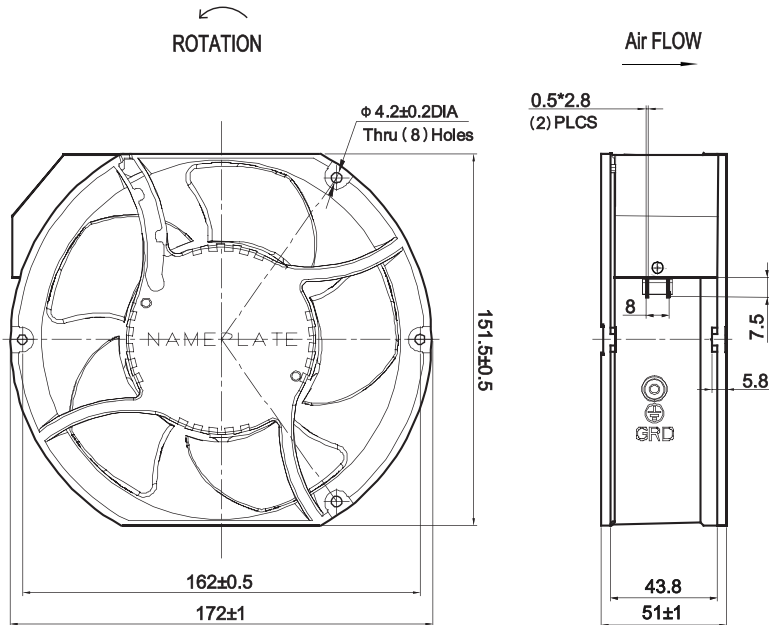
● A15C51T Series

- SIZE : 172×150×51mm
- AIR FLOW : 323/399m³/hr
190/235CFM
- NOISE : 49/50dBA
- IMPELLER MATERIAL : PBT Thermoplastic Black,UL94-V0
- FRAME : Aluminum Alloy
- TERMINALS : 0.5mm
- LEAD WIRE : AWG#22 UL 1569(Optional)
- MOTOR : Shaded Pole Induction Motor
- OPERATING TEMPERATURE : -10°C~+65°C

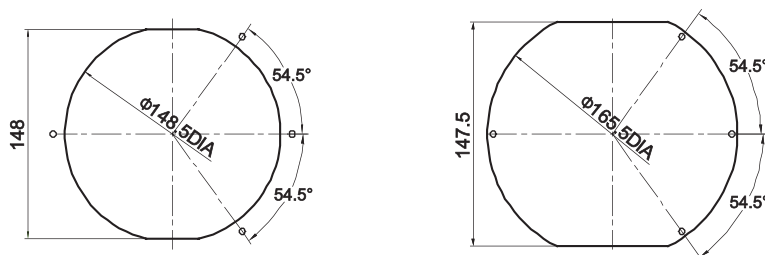
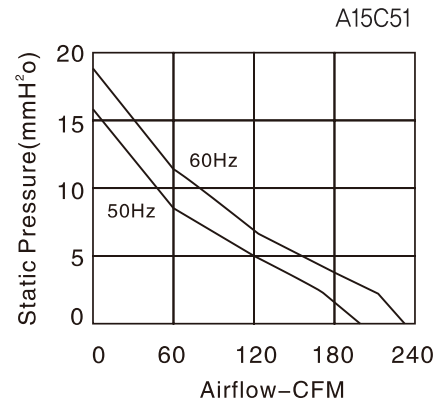
● Specification

MODEL NO.	Type	VOLTAGE (VAC)	FREQ. (Hz)	CURRENT	POWER	SPEED (RPM)	NOISE (dBA)	AIR FLOW		WEIGHT (g)
								m ³ /hr	CFM	
WYA1V15C51TBT-1	Ball Bearing	100/125	50/60	0.65/0.5	46/35	2600/3000	45/50	323/399	190/235	820
WYA2V15C51TBT-1		200/240	50/60	0.24/0.21	38/33	2600/2700	45/50	323/399	190/235	

● Dimension



● Characteristics



TRANS=INCT 트랜스포머
 REACTOR 리액터
 SSR 무정전블레이
 TPR 전력조정기
 SMPSS 스위칭파워
 NF 노이즈 필터
 HF 하모닉 필터
 SPD 서지보호기
 RELAY 보호계전기
 ELD=GFRL 누전경보기
 ZCT 영상변류기
 METER 판넬메타
 CT=VT 계기용변성기
 SHUNT=Fan 션트팬

COOLING FAN

A17C51T Series Ø172×51mm Ball Type



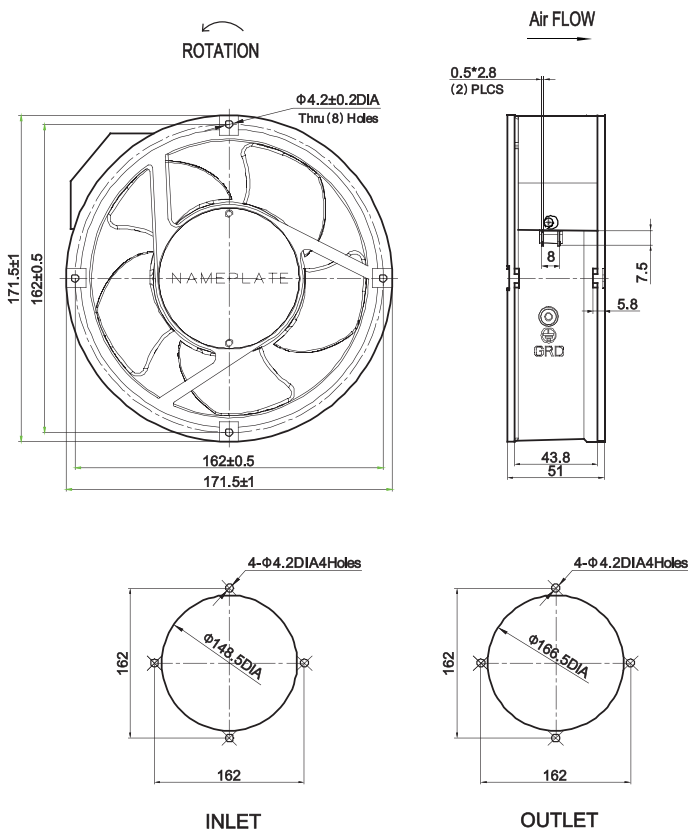
● A17C51T Series

- SIZE : Ø172×51mm
- AIR FLOW : 323/399m³/hr
190/235CFM
- NOISE : 45/50dBA
- IMPELLER MATERIAL : PBT Thermoplastic Black,UL94-V0
- FRAME : Aluminum Alloy
- TERMINALS : 0,5mm
- LEAD WIRE : 2 wire, AWG#22 UL 1015
- MOTOR : Impedance Protection
- OPERATING TEMPERATURE : -10°C~+70°C

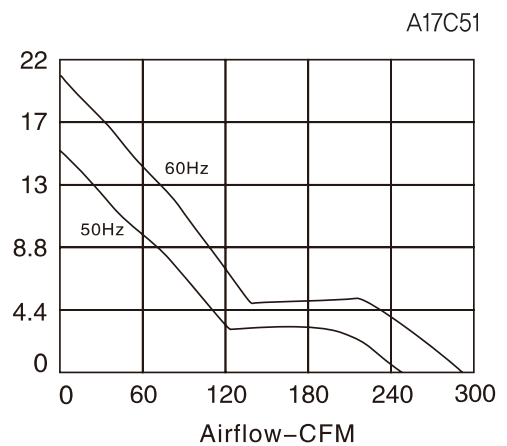
● Specification

MODEL NO.	Type	VOLTAGE (VAC)	FREQ. (Hz)	CURRENT	POWER	SPEED (RPM)	NOISE (dBA)	AIR FLOW		WEIGHT (g)
								m ³ /hr	CFM	
WYA1V17C51TBT	Ball Bearing	100/125	50/60	0,65/0,5	46/35	2600/3000	45/50	323/399	190/235	840
WYA2V17C51TBT-1		200/240	50/60	0,24/0,21	38/33	2600/2700	45/50	323/399	190/235	

● Dimension



● Characteristics



COOLING FAN

A15C55T Series 172×150×55mm Ball Type



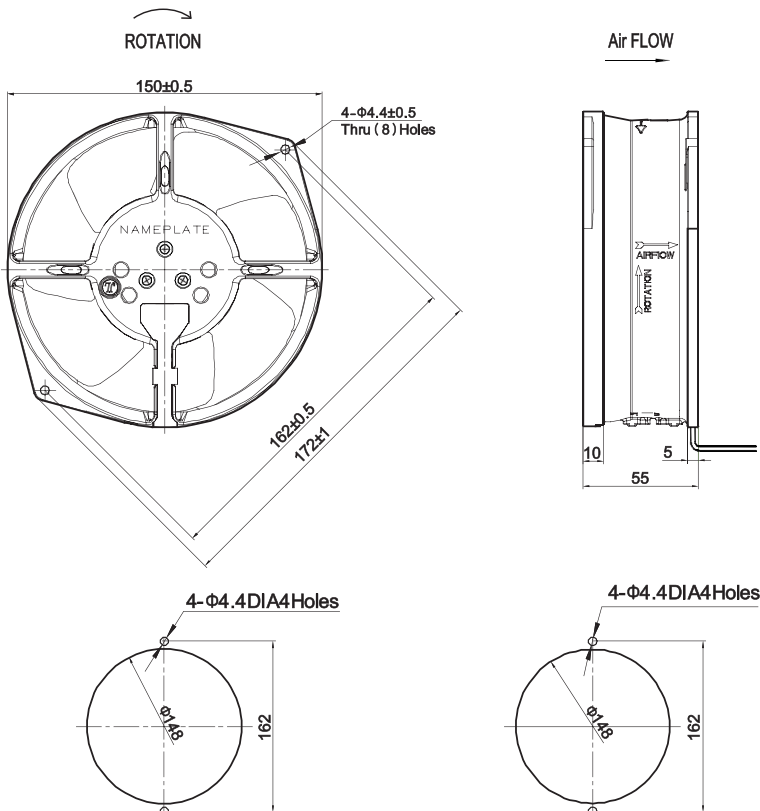
● A15C55T Series

- SIZE : 150×172×55mm
- AIR FLOW : 324/380m³/hr
191/224CFM
- NOISE : 48/52dBA
- IMPELLER MATERIAL : Iron
- FRAME : Aluminum Alloy
- TERMINALS : 0,5mm
- LEAD WIRE : 2 wire, Teflon AWG#22 UL 1332 (Optional)
- MOTOR : Capacitor Run Motor
- OPERATING TEMPERATURE : -10°C~+105°C

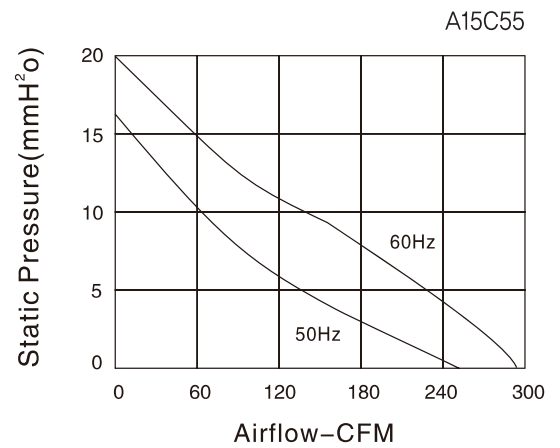
● Specification

MODEL NO.	Type	VOLTAGE (VAC)	FREQ. (Hz)	CURRENT	POWER	SPEED (RPM)	NOISE (dBA)	AIR FLOW		WEIGHT (g)
								m ³ /hr	CFM	
WYA1V15C55TBT	Ball Bearing	100/125	50/60	0,54/0,55	46/45	2700/3000	48/52	324/380	191/224	1200
WYA2V15C55TBT		200/240	50/60	0,25/0,2	46/45	2700/3000	48/52	324/380	191/224	
WYA2V15C55TBL		200/240	50/60	0,25/0,2	46/45	2700/3000	48/52	324/380	191/224	

● Dimension



● Characteristics



트랜스포머
AC전자팬
리액터
무정전압블레이드
전력조정기
스위칭파워
노이즈 필터
하모닉 필터
서지보호기
보호계전기
누전경보기
영상변류기
판넬메타
계기용변성기
선(팬)

COOLING FAN

A16C62T Series 160×160×62mm Ball Type



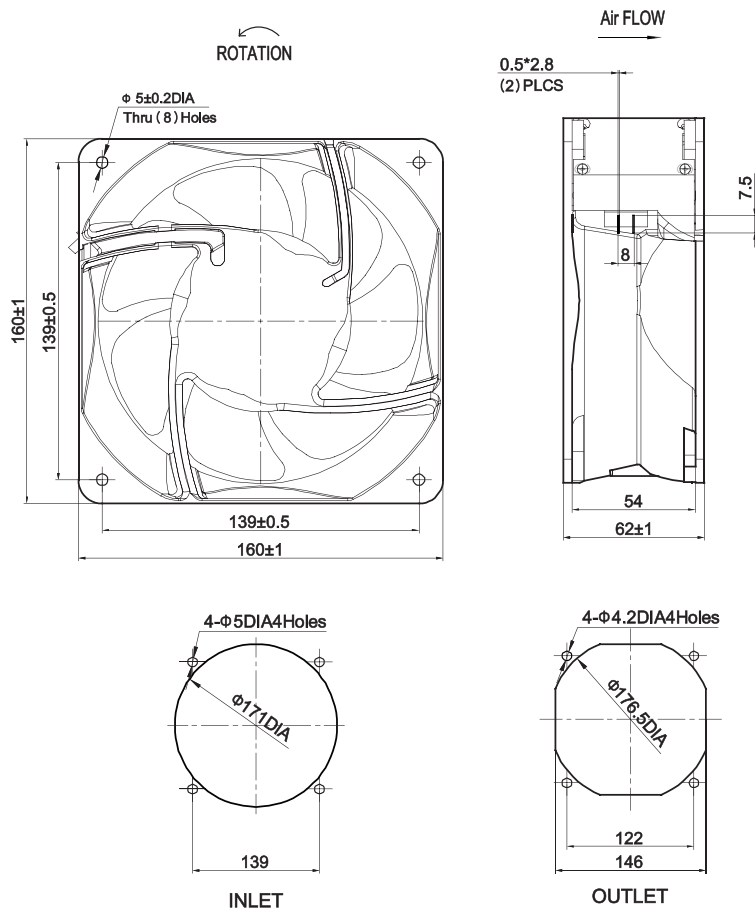
● A16C62T Series

- SIZE : 160×160×62mm
- AIR FLOW : 408/465m³/hr
240/275CFM
- NOISE : 54~59dBA
- IMPELLER MATERIAL : PBT Thermoplastic Black,UL94-V0
- FRAME : Aluminum Alloy
- TERMINALS : 0,5mm
- LEAD WIRE : 2 wire, AWG#22 UL 1015
- MOTOR : Capacitor Run Motor
- OPERATING TEMPERATURE : -10°C~+70°C

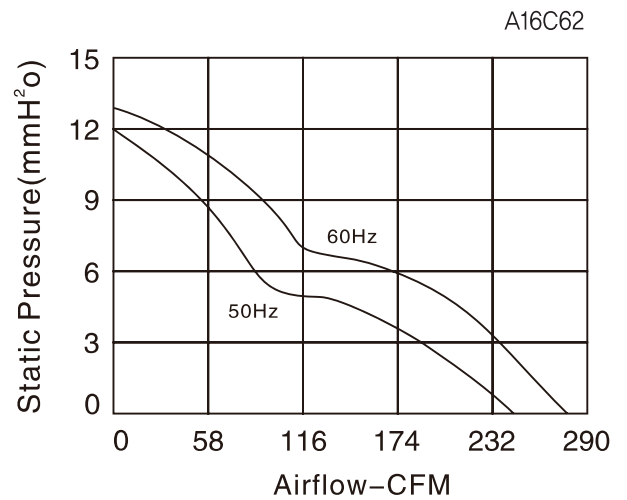
● Specification

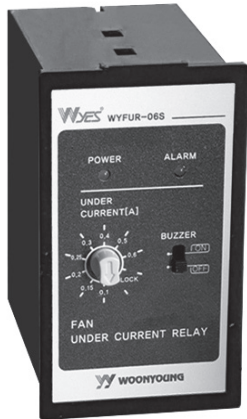
MODEL NO.	Type	VOLTAGE (VAC)	FREQ. (Hz)	CURRENT	POWER	SPEED (RPM)	NOISE (dBA)	AIR FLOW		WEIGHT (g)
								m ³ /hr	CFM	
WYA1V16C62TBT-1C	Ball Bearing	100/125	50/60	0,38/0,37	42/40	2750/3100	54/59	408/465	240/275	1200
WYA2V16C62TBT-1C		200/240	50/60	0,15/0,17	32/38	2750/3100	54/59	408/465	240/275	

● Dimension



● Characteristics





● WYFUR-06S

- POWER LED : Turns on when the device is powered on,
- ALARM LED : Alarm is triggered when a set current or lower "current" is detected,
- BUZZER S/W : You can mute the buzzer during the alarm,
- CURRENT S/W : Set lower than the connected load current,
ex) If the exhaust FAN "is" rated current with 0,19A, set the instrument's current as 0.1 or 0,15A.

● Specification

Model		WYFUR-06S
Supply Voltage		90~240 VAC
Rated Frequency		50 / 60Hz
Under Current Setting Range		0,1A-0,15A-0,2A-0,25A-0,3A-0,4A-0,5A-0,6A-LOCK
Continuous Current		3 A
Accuracy	AMB Temp. 15°C ~ 35°C	Within 10%
	Other AMB Temp.	± 20%
Operating Temperature		-10°C ~ 60°C
Storage Temperature		-20°C ~ 70°C
Operating Humidity		20~85% RH (Non Condensing)
Reset		Auto Reset
Buzzer		75dB/M more
Contact capacity		AC240V@5A, DC24V@10A
Burden	Operating	0,35VA
	Alarm	1,2VA
Insulation		• AC Input & Output - Alarm Contact DC 500V / 100MΩ
Dielectric Withstand Voltage		• AC Input & Output - Alarm Contact AC 2000V / 1min
Fuse Capacity		AC 250V 4A
Weight		230 g
Dimension (W x H x D)		57 x 97 x 94

트랜스포머
TRANS= NCT

리액터
REACTOR

무정전압레일
SSR

전력조정기
TPR

스위칭파워
SMPS

노이즈필터
N/F

하모닉필터
H/F

서지보호기
SPD

보호계전기
RELAY

누전경보기
ELD= GFR

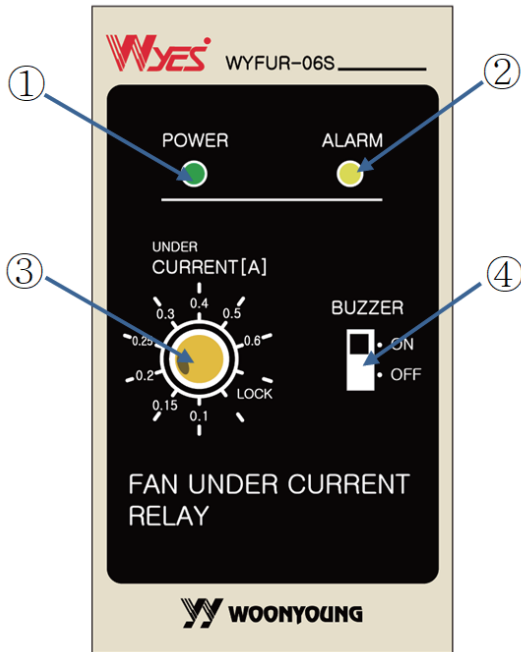
영상변류기
ZCT

판넬메타
METER

계기용변성기
CT= VT

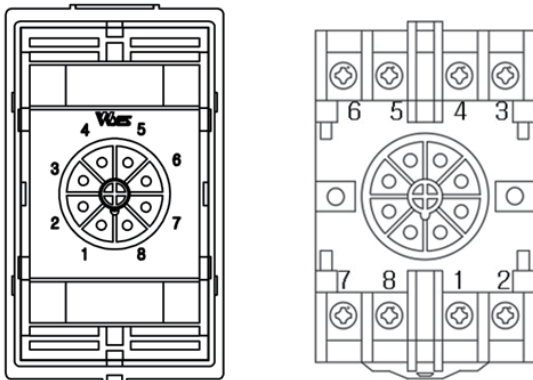
선(팬)
SHUNT= FAN

● 전면 부 설명

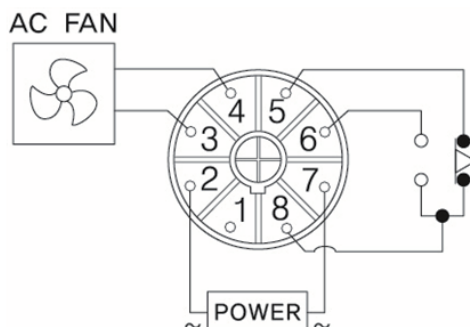


- ① 전원램프 : 전원 ON / OFF 여부 확인(Green)
- ② 알람램프 : 설정 전류 보다 낮은 전류 감지 시 접점 출력이 발생 되며 알람 램프 ON (Yellow)
- ③ Under Current Setting : 기준 전류 값 설정 0.1A-0.15A-0.2A-0.25A-0.3A-0.4A-0.5A-0.6A-LOCK
- ※ 기준 전류 설정 시 Fan 정격 전류의 75% 이하로 설정하여 주십시오. 오동작의 우려가 있습니다.
- ④ 부저 On/OFF Switch : 알람 시 부저의 음 소거를 선택

● 후면 부 명칭 및 설명



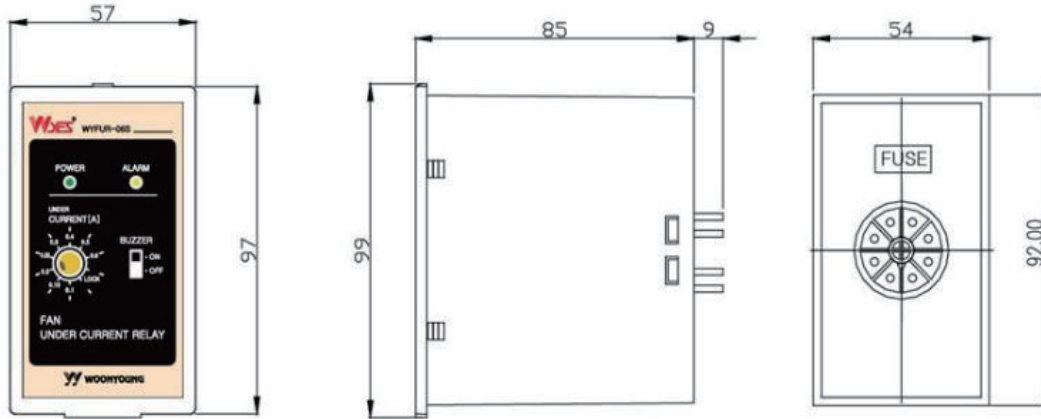
<Bottom View>



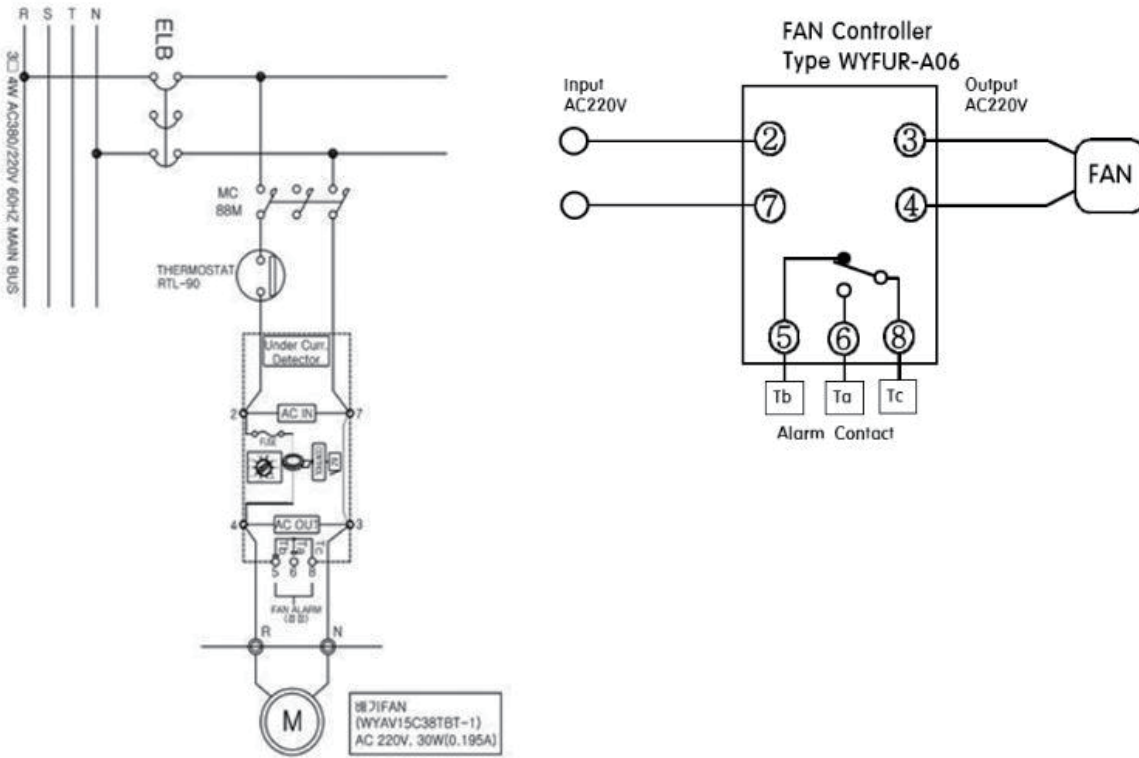
- ②,⑦ 전원 입력 단자
- ③,④ 부하 출력 단자
- ⑥ Ta (N.O)
- ⑤ Tb (N.C)
- ⑧ Tc (Com)

FAN UNDER CURRENT RELAY

● Dimension



● 결선도



트랜스포머
TRANS = NCT

리액터
REACTOR

무전압 릴레이
SSR

전력 조정기
TPR

스위칭 파워
SMP S

노이즈 필터
N / F

하모닉 필터
H / F

서지 보호기
SPD

보호계전기
RELAY

누전경보기
ELD = GFR

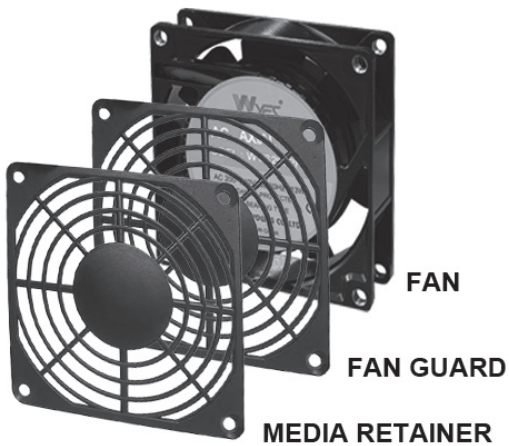
영상변류기
ZCT

판넬메타
METER

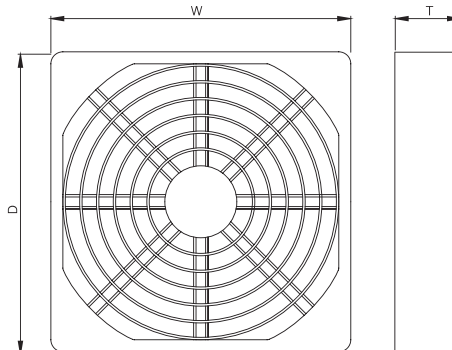
계기용 변성기
CT = VT

선(팬)
SHUNT = FAN

FAN ACCESSORIES

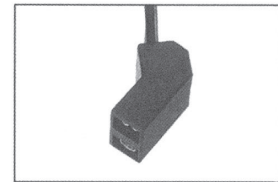


● Plastic Filter Guard
(MEDIA RETAINER + FILTER MEDIA + FAN GUARD)

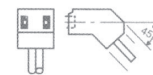


MODEL NO.	W	D	T
F80	80	80	9
F92	92	92	9
F120	120	120	9

● Plug Cords



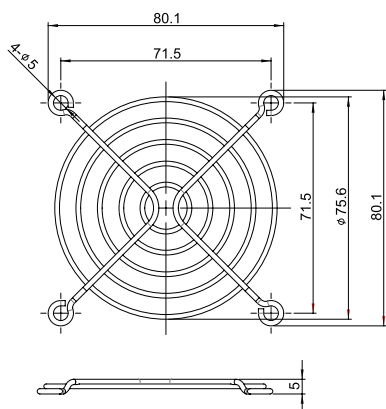
45° STYLE-A1



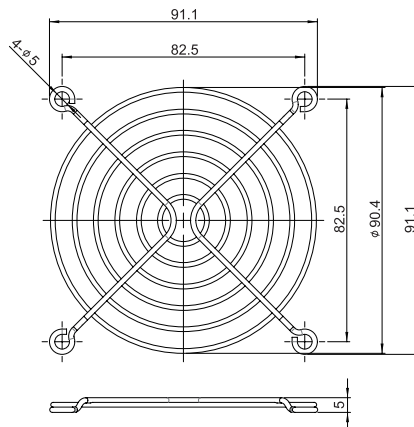
MODEL NO.	CABLE LENGTH
A1-10	1000mm
A1-20	2000mm

● Wire Form Fan Guards

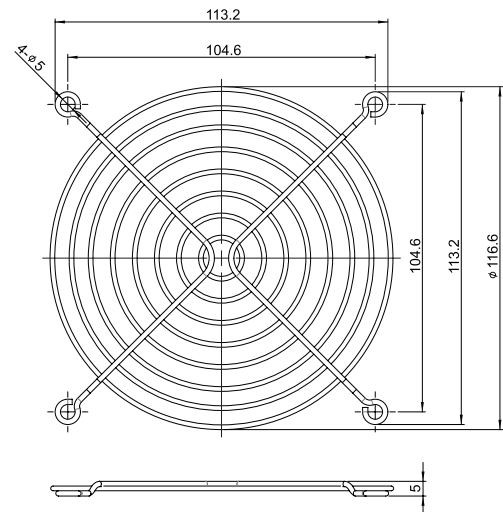
G TYPE (G80, G92, G120, G160, G172)



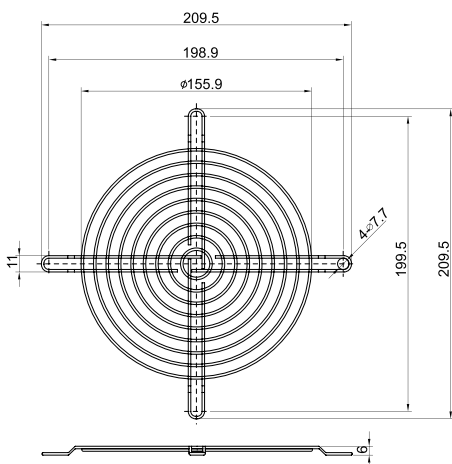
G80



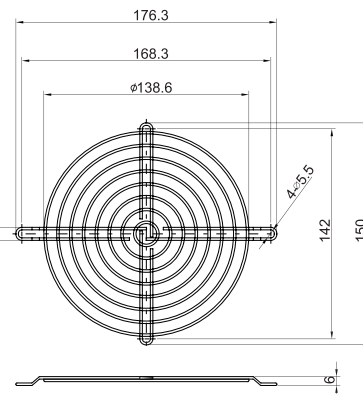
G92



G120

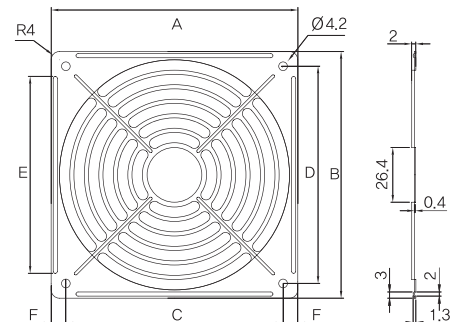


G160



G172

W TYPE (W80, W90, W120)



MODEL NO.	A x B	C x D	E	F	T
W120	119	104.8	95	7.1	2.0
W90	92	82.5	70	4.75	2.0
W80	80	71.5	58	4.25	2.0



주식회사 운영은 2006년 7월부터 발효되고 있는 우리나라를 비롯한 전세계적인 환경오염물질 규제 정책인 RoHS 지령(전자전기 기기에 포함되는 특정유해물질의 사용제한지령)에 대응하여 다음의 6개 유해물질을 사용하지 않는 제품을 생산하고자 노력하고 있습니다.

We WOONYOUNG CO., LTD. is trying to produce product that do not use 6 hazardous substances of that correspond to RoHS order (use limitation order of designated hazardous substances that is included to electron electricity appliance) that is worldwide environmental pollutant regulation policy including our country that is taking effect since July, 2006

※ 6 유해 화학물질 (6 hurtfulness chemical material) :

- 납(Pb), 수은(Hg), 카드뮴(Cd), 6가크롬(Cr+6),
- 브롬계 난연제(PBB-폴리프로모비 페닐), PBDE(폴리프로모비 페닐에틸)

※ RoHS 지령 : Restriction of the Use of Certain Hazardous Substance in Electrical and Electronics Equipment.

<참고> Reference

RoHS 마크가 부착된 당사 제품 6물질의 적합판정에 다음의 기준을 적용합니다.

Apply next standard in 6 material fitness decisions of our products that RoHS mark is attached.

(Ref. April 2011)

납(Pb)	: less than 1000 ppm	6가 크롬(Cr+6)	: less than 1000 ppm
수은(Hg)	: less than 1000 ppm 이하	PBB	: less than 1000 ppm
카드뮴(Cd)	: less than 100 ppm 이하	PBDE	: less than 1000 ppm

<참고> Reference

EU(European Union) 지역 내에서 취급하는 전기전자 기기에 대해서 제품의 재질변경 등을 동반한 대응을 실시하고 있는 경우는 제품마다 실시 시기가 다릅니다. 상세 내용은 인터넷 정보서비스에서 최신 정보를 확인할 수 있습니다.

In case is doing confrontation that accompany quality of the material alteration and so on of product about electricity electron appliance that handle in EU (European Union) area, enforcement time is different in product. Details contents can confirm update in internet information service.

※본 제품의 규격은 품질 개선을 위하여 예고 없이 변경될 수 있으므로 제품 구입 시 문의 바랍니다.
 ※Specifications subject to change without notice.

