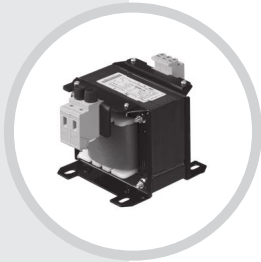
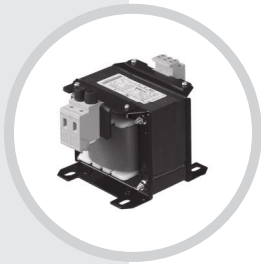


# 1Ø 복권 FUSE 부착형 트랜스포머

## Single Phase Isolating Transformer

110V, 220V, 380V, 440V, 500V Line



### Fuse Type Transformer

- WYF21 Series
- WYF32 Series
- WYF41 Series
- WYF42 Series

## WYF21- Series

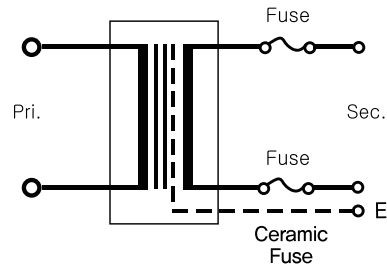


단상 복권 트랜스포머는 기존의 제품에 Ceramic Fuse를 장착하여 제작된것으로 부하에서의 단락 및 과부하시 트랜스포머 보호 및 설비의 안전 사고를 미연에 방지할 수 있는 Fuse 부착형 트랜스포머 입니다.

The 1P multi-wire transformer is a transformer furnished with a Ceramic fuse that can protect the transformer and prevent equipment safety accidents in advance in the case of short shorts or overloads as a product manufactured by mounting a fuse on an existing product.



• Circuit Diagram

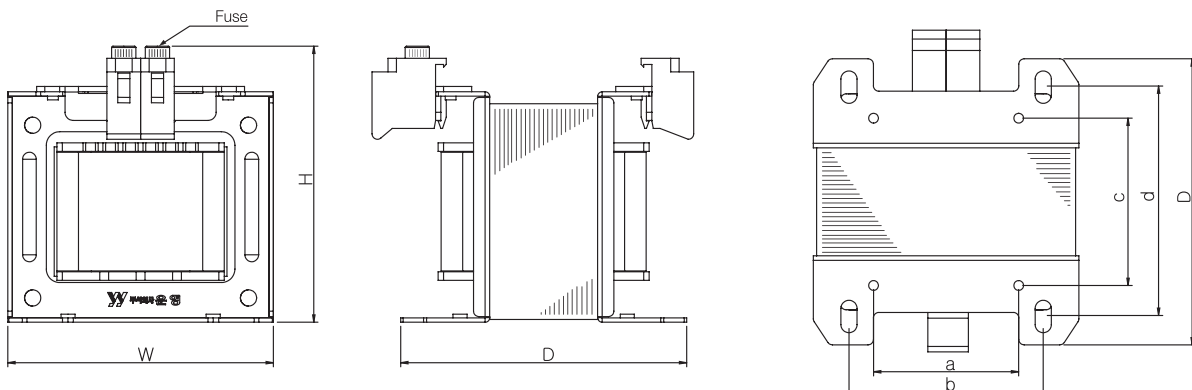


### ● Specification

MODEL NO.	TYPE	SPECIFICATIONS		VA	DIMENSIONS (mm)								WEIGHT (kg)
		PRI.(V)	SEC.(V)		W	H	D	a	b	c	d		
• 220V Line → 110V Line													
WYF21-40A	"FUSE TERMINAL"	0-220	0-110-(E)	40VA	77,6	85,2	87,0	42,0	57,0	54,0	67,0	1,31	
WYF21-60A				60VA	77,6	85,2	87,0	42,0	57,0	54,0	67,0	1,65	
WYF21-100A				100VA	98,4	85,2	87,0	53,8	72,0	62,0	85,0	2,59	
WYF21-150A				150VA	98,4	85,2	87,0	53,8	72,0	62,0	85,0	3,23	
WYF21-200A				200VA	110,2	109,2	104,2	57,9	76,5	65,4	87,2	3,60	
WYF21-300A				300VA	110,2	109,2	104,2	57,9	76,5	65,4	87,2	4,97	
WYF21-500A				500VA	140,0	132,9	128,4	83,0	97,9	82,4	108,2	7,10	
WYF21-750A				750VA	160,2	149,4	146,2	95,9	114,0	92,4	124,2	10,70	
WYF21-1KA				1KVA	160,2	152,0	156,2	95,9	114,0	102,4	134,2	12,30	

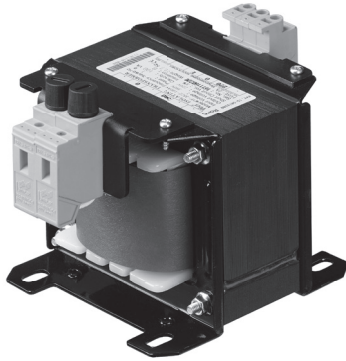
※ 기타사양은 주문에 의함.

### ● Dimension

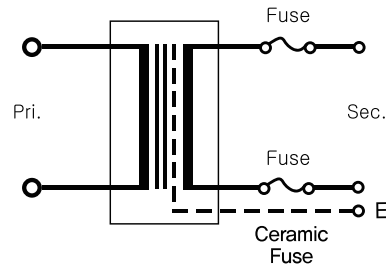


단상 복권 트랜스포머는 기존의 제품에 Ceramic Fuse를 장착하여 제작된것으로 부하에서의 단락 및 과부하시 트랜스포머 보호 및 설비의 안전 사고를 미연에 방지할 수 있는 Fuse 부착형 트랜스포머 입니다.

The 1P multi-wire transformer is a transformer furnished with a Ceramic fuse that can protect the transformer and prevent equipment safety accidents in advance in the case of short shorts or overloads as a product manufactured by mounting a fuse on an existing product.



• Circuit Diagram

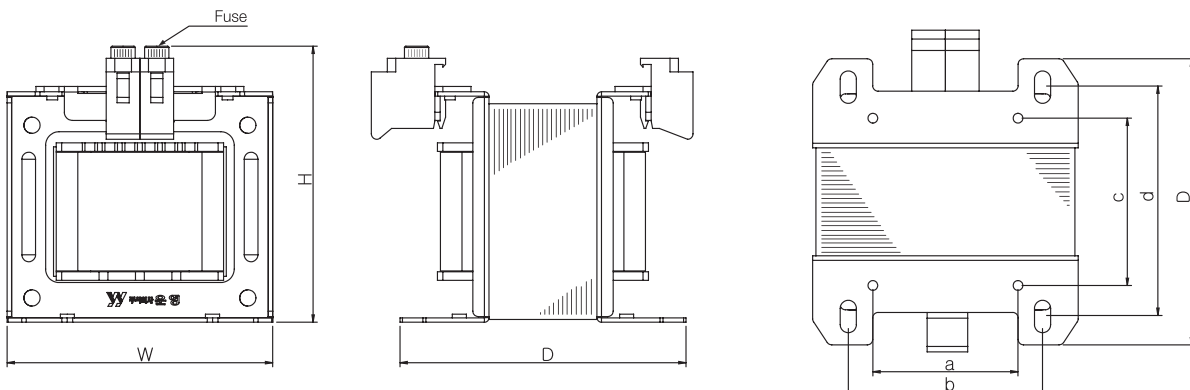


### ● Specification

MODEL NO.	TYPE	SPECIFICATIONS		VA	DIMENSIONS (mm)								WEIGHT (kg)
		PRI.(V)	SEC.(V)		W	H	D	a	b	c	d		
• 220V Line → 110V Line													
WYF32-40AW	"FUSE TERMINAL"	0-380	0-220-(E)	40VA	77,6	85,2	87,0	42,0	57,0	54,0	67,0	1,31	
WYF32-60AW				60VA	77,6	85,2	87,0	42,0	57,0	54,0	67,0	1,65	
WYF32-100AW				100VA	98,4	85,2	87,0	53,8	72,0	62,0	85,0	2,59	
WYF32-150AW				150VA	98,4	85,2	87,0	53,8	72,0	62,0	85,0	3,23	
WYF32-200AW				200VA	110,2	109,2	104,2	57,9	76,5	65,4	87,2	3,60	
WYF32-300AW				300VA	110,2	109,2	104,2	57,9	76,5	65,4	87,2	4,97	
WYF32-500AW				500VA	140,0	132,9	128,4	83,0	97,9	82,4	108,2	7,10	
WYF32-750AW				750VA	160,2	149,4	146,2	95,9	114,0	92,4	124,2	10,70	
WYF32-1KAW				1KVA	160,2	152,0	156,2	95,9	114,0	102,4	134,2	12,30	

※ 기타사양은 주문에 의함.

### ● Dimension



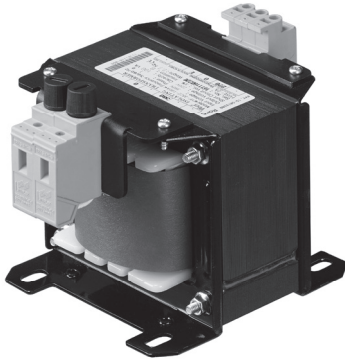
노이즈컷트랜스  
 REACTOR 리액터  
 TRANS. 트랜스포머  
 AHF  
 PHF  
 MSF  
 SWF  
 ZHF

## WYF41- Series

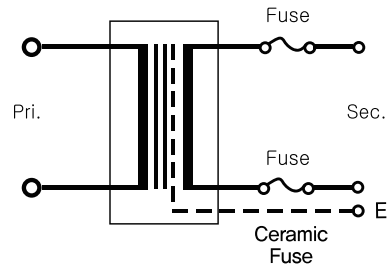


단상 복권 트랜스포머는 기존의 제품에 Ceramic Fuse를 장착하여 제작된것으로 부하에서의 단락 및 과부하시 트랜스포머 보호 및 설비의 안전 사고를 미연에 방지할 수 있는 Fuse 부착형 트랜스포머 입니다.

The 1P multi-wire transformer is a transformer furnished with a Ceramic fuse that can protect the transformer and prevent equipment safety accidents in advance in the case of short shorts or overloads as a product manufactured by mounting a fuse on an existing product.



• Circuit Diagram

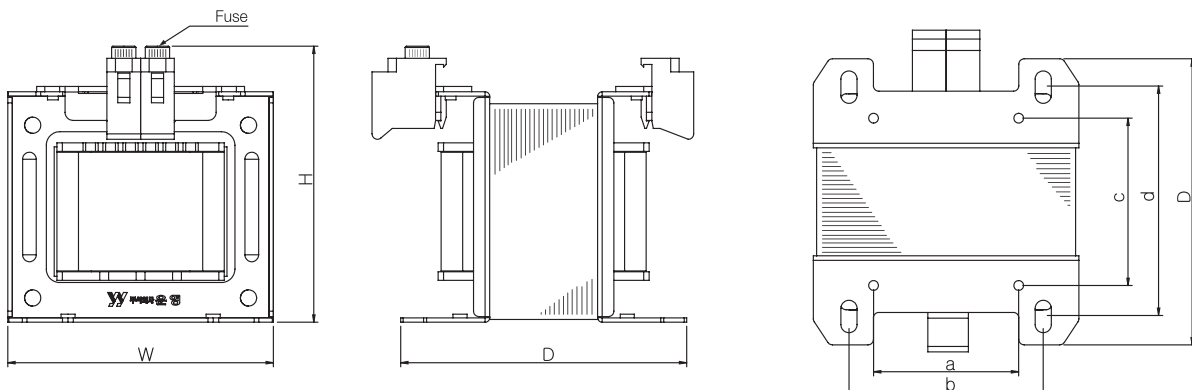


### ● Specification

MODEL NO.	TYPE	SPECIFICATIONS		VA	DIMENSIONS (mm)								WEIGHT (kg)
		PRI.(V)	SEC.(V)		W	H	D	a	b	c	d		
• 220V Line → 110V Line													
WYF41-40A	"FUSE TERMINAL"	0-440	0-110-(E)	40VA	77,6	85,2	87,0	42,0	57,0	54,0	67,0	1,31	
WYF41-60A				60VA	77,6	85,2	87,0	42,0	57,0	54,0	67,0	1,65	
WYF41-100A				100VA	98,4	85,2	87,0	53,8	72,0	62,0	85,0	2,59	
WYF41-150A				150VA	98,4	85,2	87,0	53,8	72,0	62,0	85,0	3,23	
WYF41-200A				200VA	110,2	109,2	104,2	57,9	76,5	65,4	87,2	3,60	
WYF41-300A				300VA	110,2	109,2	104,2	57,9	76,5	65,4	87,2	4,97	
WYF41-500A				500VA	140,0	132,9	128,4	83,0	97,9	82,4	108,2	7,10	
WYF41-750A				750VA	160,2	149,4	146,2	95,9	114,0	92,4	124,2	10,70	
WYF41-1KA				1KVA	160,2	152,0	156,2	95,9	114,0	102,4	134,2	12,30	

※ 기타사양은 주문에 의함.

### ● Dimension

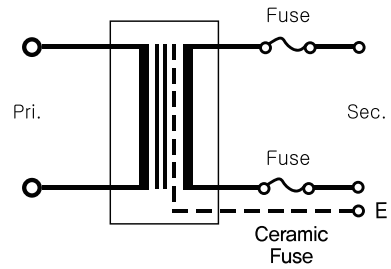


단상 복권 트랜스포머는 기존의 제품에 Ceramic Fuse를 장착하여 제작된것으로 부하에서의 단락 및 과부하시 트랜스포머 보호 및 설비의 안전 사고를 미연에 방지할 수 있는 Fuse 부착형 트랜스포머 입니다.

The 1P multi-wire transformer is a transformer furnished with a Ceramic fuse that can protect the transformer and prevent equipment safety accidents in advance in the case of short shorts or overloads as a product manufactured by mounting a fuse on an existing product.



• Circuit Diagram



### ● Specification

MODEL NO.	TYPE	SPECIFICATIONS		VA	DIMENSIONS (mm)								WEIGHT (kg)
		PRI.(V)	SEC.(V)		W	H	D	a	b	c	d		
• 220V Line → 110V Line													
WYF42-40AW	"FUSE TERMINAL"	0-440	0-220-(E)	40VA	77,6	85,2	87,0	42,0	57,0	54,0	67,0	1,31	
WYF42-60AW				60VA	77,6	85,2	87,0	42,0	57,0	54,0	67,0	1,65	
WYF42-100AW				100VA	98,4	85,2	87,0	53,8	72,0	62,0	85,0	2,59	
WYF42-150AW				150VA	98,4	85,2	87,0	53,8	72,0	62,0	85,0	3,23	
WYF42-200AW				200VA	110,2	109,2	104,2	57,9	76,5	65,4	87,2	3,60	
WYF42-300AW				300VA	110,2	109,2	104,2	57,9	76,5	65,4	87,2	4,97	
WYF42-500AW				500VA	140,0	132,9	128,4	83,0	97,9	82,4	108,2	7,10	
WYF42-750AW				750VA	160,2	149,4	146,2	95,9	114,0	92,4	124,2	10,70	
WYF42-1KAW				1KVA	160,2	152,0	156,2	95,9	114,0	102,4	134,2	12,30	

※ 기타사양은 주문에 의함.

### ● Dimension

